

Thank you for purchasing a Sealey Product. Manufactured to a high standard this product will, if used according to these instructions and properly maintained, give you years of trouble free performance.



IMPORTANT: PLEASE READ THESE INSTRUCTIONS CAREFULLY. NOTE THE SAFE OPERATIONAL REQUIREMENTS, WARNINGS & CAUTIONS. USE THE PRODUCT CORRECTLY AND WITH CARE FOR THE PURPOSE FOR WHICH IT IS INTENDED. FAILURE TO DO SO MAY CAUSE DAMAGE AND/OR PERSONAL INJURY AND WILL INVALIDATE THE WARRANTY. PLEASE KEEP INSTRUCTIONS SAFE FOR FUTURE USE.

1. SAFETY INSTRUCTIONS

- WARNING! DO NOT** operate using flammable liquids in a confined space, the area should have adequate ventilation.
- ✓ If pumping flammable liquids, avoid proximity to naked flames or welding operations.
- ✓ Wear appropriate protective clothing when pumping solvents. We recommend eye/face and hand protection, available from your authorised Sealey dealer.
- ✓ Ensure Health & Safety, local authority, and general workshop practice regulations are adhered to when using this equipment.
- ✓ Ensure spillages are dealt with immediately. Failure to do so could lead to personal injury or damage to the environment and possible prosecution by the authorities.
- ✓ Keep children away from areas where solvents are being used.

2. SPECIFICATION

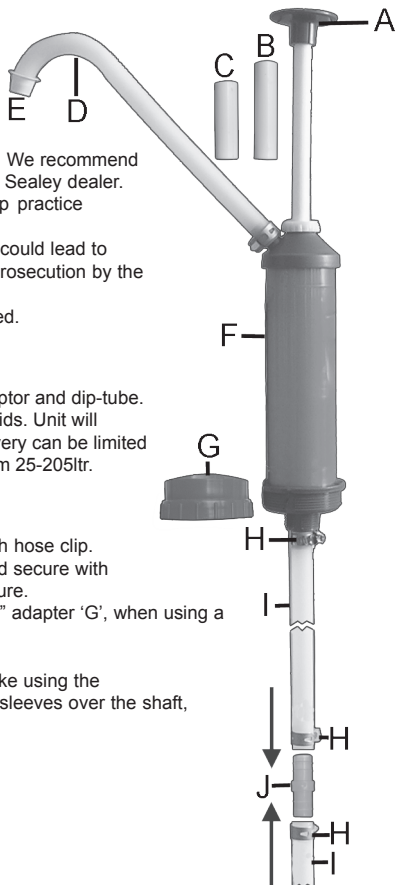
Self-priming, piston pump fitted with anti-drip nozzle and 2" BSP adaptor and dip-tube. Suitable for oils, antifreeze, degreasants and other non-corrosive fluids. Unit will deliver 200ml per stroke but by using the two sleeves supplied, delivery can be limited to 40, 80 or 140ml per stroke. Will fit most containers and drums from 25-205ltr.

3. ASSEMBLY / OPERATION

- 3.1.1 Insert the spout 'D' into the head of the pump and secure with hose clip.
- 3.1.2 Attach the extension tubes together with the connector 'J' and secure with hose clips 'H'. Attach extension tubes to main pump and secure.
- 3.1.3 When fitting to 3/4" diameter inlet, unscrew and remove the 2" adaptor 'G', when using a 2" inlet replace the adaptor.
- 3.2.1 Screw the pump onto the drum/container.
- 3.2.2 The pump stroke can be set at 40, 80, 140 or 200ml per stroke using the sleeves provided 'B/C'. Unscrew the handle 'A' and slide the sleeves over the shaft, replace the handle.

Sleeve Combination	Per Stroke
No Sleeve	200ml
Small Sleeve (C)	140ml
Long Sleeve (B)	80ml
Both long and short sleeve	40ml

- 3.2.3 Raise and compress the handle, fluid should begin to flow after 3 strokes.
- 3.2.4 After fluid transfer put the cap 'E' on the end of the spout to prevent dripping.



NOTE: It is our policy to continually improve products and as such we reserve the right to alter data, specifications and component parts without prior notice. **IMPORTANT:** No liability is accepted for incorrect use of this product. **WARRANTY:** Guarantee is 12 months from purchase date, proof of which will be required for any claim. **INFORMATION:** For a copy of our catalogue and latest promotions call us on 01284 757525 and leave your full name, address and postcode.