



INSTRUCTIONS FOR:
**DOUBLE DIAPHRAGM FUEL
TRANSFER PUMP**

MODEL: **TP6918**

Thank you for purchasing a Sealey product. Manufactured to a high standard this product will give you years of trouble free performance if these instructions are carefully followed and the product is correctly maintained.



IMPORTANT: PLEASE READ THESE INSTRUCTIONS CAREFULLY. NOTE THE SAFE OPERATIONAL REQUIREMENTS, WARNINGS AND CAUTIONS. USE THIS PRODUCT CORRECTLY AND WITH CARE FOR THE PURPOSE FOR WHICH IT IS INTENDED. FAILURE TO DO SO MAY CAUSE DAMAGE AND/OR PERSONAL INJURY AND WILL INVALIDATE THE WARRANTY. PLEASE RETAIN THESE INSTRUCTIONS FOR FUTURE USE.

1. SAFETY INSTRUCTIONS

WARNING! *Ensure all Health and Safety, local authority and general workshop practice regulations are strictly adhered to when using this equipment.*

Petrol is a highly flammable liquid and any spillage will evaporate to form a flammable, heavier than air vapour, which is easily ignited. Common sources of ignition include, but are not limited to, smoking and lighting matches, welding and cutting equipment, heaters, all types of electrical equipment unless specifically designed as suitable for use in a flammable atmosphere. Even low voltage inspection lamps, if damaged can ignite petrol vapour.

Please take time to read the following safety information before commencing work with the TP6918.

- ✓ Familiarise yourself with the applications, limitations and potential hazards of this product.
- ✓ Maintain the pump in good condition (use an authorised service agent).
- ✓ Replace or repair damaged parts. *Use genuine parts only. Unauthorised parts will invalidate the warranty.*
- ✓ Use only with oils, petrol, diesel, paraffin, anti-freeze, degreasants and other non-corrosive fluids.
- ✓ Ensure safety eye protection and protective clothing are worn when using this product.
- ✓ Keep a foam or dry powder fire extinguisher nearby.
- ✓ Ensure that containers cannot easily be knocked over during filling.
- ✓ Keep the work area clean and uncluttered and ensure that there is adequate lighting.
- ✓ Remove all combustible materials from the work area.
- ✓ Maintain correct balance and footing. Ensure the floor is not slippery and wear non-slip shoes.
- ✓ Keep children and unauthorised persons away from the work area.
- ✓ HSE guidance recommends use of metal containers with secure caps for holding drained fuel.
- ✓ Mark fuel containers with hazard labels to identify the contents.
- ✓ Keep any fuel containers in a well ventilated, lockable store, preferably away from the working area.
- ✓ Soak up any spill immediately using absorbent granules or similar material.
- ✓ Dispose of waste liquids in accordance with local authority regulations.
- x **DO NOT** use an open flame or smoke anywhere near the tool or around stored fuel.
- x **DO NOT** use the pump to transfer hazardous or harmful chemicals, corrosive liquids, solvents, alkalis or acids.
- x **DO NOT** use the pump with water.
- x **DO NOT** use the pump near sources of heat or sparks.
- x **DO NOT** allow work which can produce a source of ignition, such as welding, electrical or other hot work, to be carried out whilst dispensing fuel.
- x **DO NOT** use cordless, mobile phones or pagers, ensure these items are turned off before dispensing fuel.
- x **DO NOT** use the pump for any purpose other than for which it is designed.
- x **DO NOT** attempt to move the fluid drum by pulling on the pump.
- x **DO NOT** use whilst under the influence of drugs, alcohol or other intoxicating medication, or if you are fatigued,
- ✓ Keep the pump clean and well oiled and store in a safe, dry, childproof location when not in use.

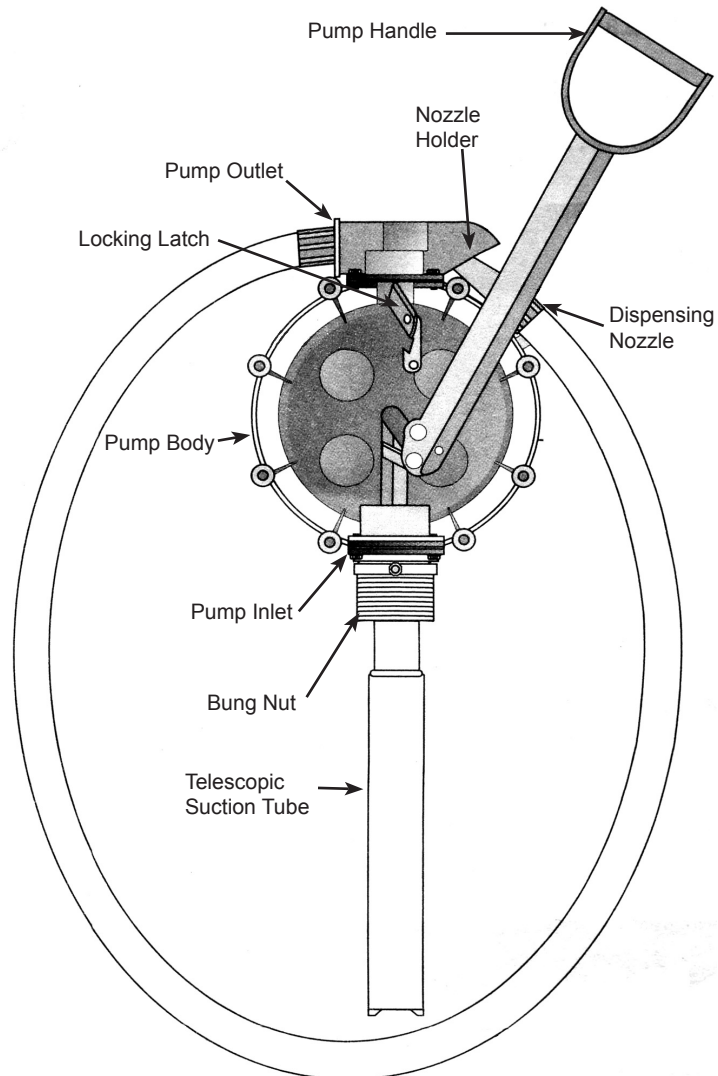
Users/Businesses should perform their own hazard risk assessment based on their specific environment and following the guidelines laid out above.

2. INTRODUCTION

Self-priming high performance double diaphragm lever pump. Heavy-duty die cast aluminium pump head with stainless steel pistons and fuel resistant nitrile rubber diaphragm. 2" BSP Connector and telescopic dip tube to suit 50 to 205ltr drums. Approximately 800ml per full stroke discharge. Supplied with 8ft anti-static discharge hose, delivery nozzle with holder. Suitable for various oils, petrol, diesel, antifreeze, paraffin and other non-corrosive fluids.

3. ASSEMBLY

- 3.1 Slide the bung nut onto the octagonal base at the pump inlet. Tighten the bung on the base using the two bolts on the bung.
- 3.2 Prepare the threads of the telescopic suction tube with some PTFE tape and screw into the pump inlet and tighten.
- 3.3 Fully extend the telescopic tube and insert the suction tube through the 2" threaded hole into the drum, until the suction tube hits the bottom of the drum. Screw the bung nut into the drum.
- 3.4 Connect the dispensing nozzle onto one end of the rubber hose and the other into the outlet of the pump. Use PTFE tape on both threads before assembly.



4. OPERATION

- 4.1 Insert the end of the hose into a suitable container. Start operating the pump handle, the initial strokes should be rapid to help prime the pump, the pump should start to dispense the fluid within seven strokes of the pump handle.
NOTE: DO NOT use undue pressure on the pump handle as this may cause the pump neck to fracture.
- 4.2 When pumping is completed, insert the nozzle into the nozzle holder. The handle may be locked into position using the latch on the pump body and a padlock.

5. TROUBLESHOOTING

Problem	Cause	Remedy
Pump does not dispense or flow is restricted	Pump not able to create adequate suction	Prime pump, see section 4.1
	Pump is drawing in air instead of fluid	Tighten suction tube to pump inlet connection
		Extension seal failure between suction tube sections
	Pump inlet is blocked	Remove suction tube and clean wire mesh screen at pump inlet
Leakage of fluid from pump handle piston	Damaged seal due to incompatible fluids	Return to your Sealey dealer

Parts support is available for this product. To obtain a parts list and diagram please log on to:
www.sealey.co.uk, email sales@sealey.co.uk or phone 01284 757500

NOTE: It is our policy to continually improve products and as such we reserve the right to alter data, specifications and component parts without prior notice.

IMPORTANT: No liability is accepted for incorrect use of product.

WARRANTY: Guarantee is 12 months from purchase date, proof of which will be required for any claim.

INFORMATION: For a copy of our latest catalogue and promotions call us on 01284 757525 and leave your full name and address, including postcode.



Sole U.K. Distributor
 Sealey Group
 Bury St. Edmunds
 Suffolk.



01284 757500



01284 703534



www.sealey.co.uk



sales@sealey.co.uk