


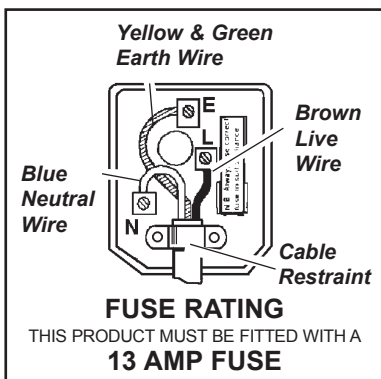
Thank you for purchasing a Sealey product. Manufactured to a high standard this product will, if used according to these instructions and properly maintained, give you years of trouble free performance.



IMPORTANT: PLEASE READ THESE INSTRUCTIONS CAREFULLY. NOTE THE SAFE OPERATIONAL REQUIREMENTS, WARNINGS & CAUTIONS. USE THE PRODUCT CORRECTLY AND WITH CARE FOR THE PURPOSE FOR WHICH IT IS INTENDED. FAILURE TO DO SO MAY CAUSE DAMAGE AND/OR PERSONAL INJURY AND WILL INVALIDATE THE WARRANTY. PLEASE KEEP INSTRUCTIONS SAFE FOR FUTURE USE.

1. SAFETY INSTRUCTIONS

- 1.1. ELECTRICAL SAFETY. WARNING! It is the user's responsibility to read, understand and comply with the following:** You must check all electrical equipment and appliances to ensure they are safe before using. You must inspect power supply leads, plugs and all electrical connections for wear and damage. You must ensure the risk of electric shock is minimised by the installation of appropriate safety devices. An RCCB (Residual Current Breaker) should be incorporated in the main distribution board. We also recommend that an RCD(Residual Current Device) is used with all electrical products. It is particularly important to use an RCD with portable products that are plugged into an electrical supply not protected by an RCCB. If in doubt consult a qualified electrician. You may obtain a Residual Current Device by contacting your Sealey dealer. You must also read and understand the following instructions concerning electrical safety.
- 1.1.1. **The Electricity At Work Act 1989** requires all portable electrical appliances, if used on business premises, to be tested by a qualified electrician, using a Portable Appliance Tester (PAT), at least once a year.
- 1.1.2. **The Health & Safety at Work Act 1974** makes owners of electrical appliances responsible for the safe condition of the appliance and the safety of the appliance operator. **If in any doubt about electrical safety, contact a qualified electrician.**
- 1.1.3. Ensure the insulation on all cables and the product itself is safe before connecting to the mains power supply. See 1.1.1. & 1.1.2. above and use a Portable Appliance Tester (PAT).
- 1.1.4. Ensure that cables are always protected against short circuit and overload.
- 1.1.5. Regularly inspect power supply, leads, plugs for wear and damage and all electrical connections to ensure that none is loose.
- 1.1.6. **Important:** Ensure the voltage marked on the product is the same as the electrical power supply to be used, and check that plugs are fitted with the correct capacity fuse. A 13 amp plug may require a fuse smaller than 13 amps for certain products, see fuse rating below.
- 1.1.7. DO NOT pull or carry the appliance by its power supply lead.
- 1.1.8. DO NOT pull power plug from socket by the power cable.
- 1.1.9. DO NOT use worn or damaged leads, plugs or connections. Immediately replace or have repaired by a qualified electrician. A U.K. 3 pin plug with ASTA/BS approval is fitted. In case of damage, cut off and fit a new plug according to the following instructions (discard old plug safely). (UK only - see diagram below). **Ensure the unit is correctly earthed via a three-pin plug.**
- a) **Connect the green/yellow earth wire to the earth terminal 'E'.**
 b) **Connect the brown live wire to live terminal 'L'.**
 c) **Connect the blue neutral wire to the neutral terminal 'N'.**
 d) **After wiring, check that there are no bare wires, that all wires have been correctly connected, that the cable outer insulation extends beyond the cable restraint and that the restraint is tight.** Double insulated products are fitted with live (BROWN) and neutral (BLUE) wires only. Double insulated products are always marked with this symbol . **To re-wire, connect the brown and blue wires as indicated below. DO NOT connect the brown or blue to the earth terminal.**
- 1.1.10. Some products require more than a 13 amp electrical supply. In such a case, NO plug will be fitted. **You must** contact a qualified electrician to ensure a 30 amp fused supply is available. We recommend you discuss the installation of an industrial round pin plug and socket with your electrician.
- 1.1.11. **Cable extension reels.** When a cable extension reel is used it should be fully unwound before connection. A cable reel with an RCD fitted is recommended since any product which is plugged into the cable reel will be protected. The section of the cores of the cable is important and should be at least 1.5mm², but to be absolutely sure that the capacity of the cable reel is suitable for this product and for others that may be used in the other output sockets, we recommend the use of 2.5mm² section cable.



1.2. GENERAL SAFETY.

- ✓ Maintain the log splitter in good condition (use an authorised service agent).
 - ✓ Replace or repair damaged parts. *Use genuine parts only. Unauthorised parts may be dangerous and will invalidate the warranty.*
 - ✓ Use a qualified person to lubricate and maintain the log splitter.
 - ✗ **DO NOT** use brake fluid to top up hydraulic unit.
 - ✓ Locate the log splitter in a suitable work area, keep area clean and tidy and free from unrelated materials, and ensure that there is adequate lighting.
 - ✓ Keep the log splitter clean for best and safest performance.
 - ✓ Remove ill fitting clothing. Remove ties, watches, rings and other loose jewellery, and contain long hair.
 - ✓ Maintain correct balance and footing, do not over-reach. Ensure the floor is not slippery and wear non-slip, protective footwear.
 - ✓ Keep children and unauthorised persons away from the work area.
 - ✗ **DO NOT** use the log splitter for a task it is not designed to perform.
 - ✗ **DO NOT** operate the log splitter if damaged.
 - ✗ **DO NOT** exceed the stated log capacity of the log splitter.
 - ✗ **DO NOT** operate the log splitter when you are tired or under the influence of alcohol, drugs or intoxicating medication.
 - ✗ **DO NOT** allow untrained persons to operate the log splitter.
 - ✗ **DO NOT** make any modifications to the log splitter.
 - ✗ **DO NOT** operate the log splitter in wet or damp areas or expose it to rain.
 - ✗ **DO NOT** operate the log splitter in areas where fumes from paint, solvents, or flammable liquids pose a potential hazard.
 - ✗ **DO NOT** operate the log splitter with the guards or guides removed.
 - ✗ **DO NOT** operate the log splitter on the ground as this will bring the operator's face too close to the machine where there is danger of being struck by flying wood chips or debris.
 - ✓ Place the log splitter on a stable, flat and level workbench 60 to 75cm high where there is plenty of room for handling. Bolt the log splitter to the bench if it tends to slip, walk or slide.
 - ✓ Store the log splitter in a safe area away from children and other people not qualified to use the log splitter.
 - ✓ Wear protective, electrically non conductive gloves .
 - ✓ Always wear safety goggles. Everyday spectacles are not sufficient protection.
 - ✓ The log splitter must always be operated by one person only. Other people must keep a safe distance from the log splitter especially when it is in operation.
 - ✓ Ensure that there are no nails, screws or other foreign objects in logs to be split.
 - ✓ The end of logs should be cut square.
 - ✓ Always pay attention to the movement of the log pusher.
 - ✗ **DO NOT** attempt to load a log until the log pusher has returned to the stop position.
 - ✗ **DO NOT** allow another person to help you with a jammed log.
 - ✓ Keep hands away from the moving parts of the log splitter.
 - ✓ Keep hands away from splits and cracks which open in logs. They may close suddenly and crush or cut off parts of your hands. For this reason do not attempt to remove jammed logs by hand. A jammed log is a log which is only partially split and continues to grip the splitting wedge.
 - ✗ **DO NOT** leave the log splitter until the ram has fully retracted.
 - ✗ **DO NOT** force the log splitter to work beyond its specified capacity.
- WARNING!** The warnings, cautions and instructions referred to in this manual cannot cover all possible conditions and situations that may occur. It must be understood that common sense and caution are factors which cannot be built into this product, but must be applied by the operator.

2. INTRODUCTION & SPECIFICATION

Safe and easy way to split logs, offering continuous sizing and up to 5ton of pressure. Splits logs almost instantly upon contact, keeping labour and work time to a minimum. Fitted with a two hand safety operation, push-button and lever.

Model No: LS520H
 Maximum Log Length x Ø: 520 x 250mm
 Maximum Load Pressure: 5ton
 Motor Power: 2200W
 Overall (W x L x H): 270 x 940 x 510mm
 Weight: 42kg

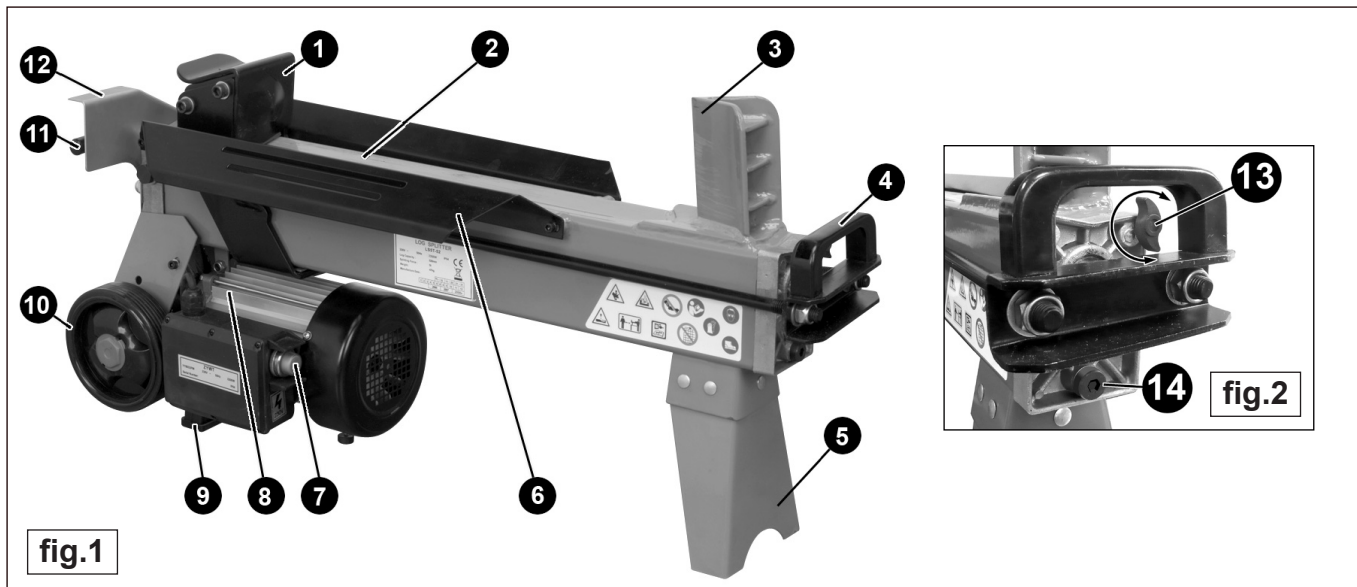


fig.1

3. PRODUCT FEATURES

Refer to figs.1 and 2 above. The log splitter has an electrically powered hydraulic ram situated inside the main beam. When the ram is operating it will protrude from the end of the beam by up to 52cm.

- 3.1 **Log Pusher.** The log pusher travels along the main beam and brings logs to bear against the splitting wedge. The log pusher is recessed and can be used as a lifting handle when two people are moving the unit.
- 3.2 **Work table.** Logs are placed onto the work table and slid along until they are in contact with the splitting wedge.
- 3.3 **Splitting Wedge.** After prolonged use it may be necessary to sharpen the wedge with a fine toothed file.
- 3.4 **Lifting handle.** This handle is mainly used when moving the log splitter on its wheels.
- 3.5 **Support Leg.** Works in conjunction with the two rubber feet (9) at the other end of the unit.
- 3.6 **Log retaining plates.** Aligns log prior to splitting.
- 3.7 **Switch.** This motor switch must be used in conjunction with the Hydraulic Control Lever (11).
- 3.8 **Motor.** Powers the hydraulic ram.
- 3.9 **Rubber feet.** Holds wheels off ground when unit is horizontal.
- 3.10 **Wheels.** Use in conjunction with lifting handle (4).
- 3.11 **Hydraulic Control Lever.** This Hydraulic Control Lever must be used in conjunction with the Motor Switch (7).
- 3.12 **Control Lever Guard.** This guard protects the Hydraulic Control lever against damage and inadvertent operation.
- 3.13 **Bleed Screw.** Must be open during operation and closed when transporting the unit.
- 3.14 **Oil Drain Bolt.** Gives access to top up or change the oil and has a built in dipstick.

4. SET UP & PREPARATION

- 4.1 **Assembly.** Bolt the support leg (5) to the log splitter using the 5 nuts and bolts provided.
 - 4.2 **Moving the log splitter.** The log splitter rests on the support leg and two rubber feet just in front of the wheels which are slightly off the ground. To move the log splitter take hold of the handle (4) and lift the front end up by about 30° so that the unit tips off the feet and onto the wheels. Move the unit to the required position. As you lower it to the ground it will rest back onto the rubber feet.
 - 4.3 **Operating position.** We do not recommend that the log splitter is used on the ground as the operators face will tend to be too near to the area of operation and therefore vulnerable to flying wood chips and debris. With the help of another person lift the log splitter onto a stable, flat and level work surface 60 to 75cm high.
 - 4.4 **Ram extension.** Remember that when the unit operates the ram will extend out of the front of the main beam by up to 52cm. Therefore allow plenty of clearance beyond the front of the unit.
 - 4.5 **Bleed Screw.** See fig.2 -13. Before operating the log splitter the bleed screw should be opened by 3 turns to allow air to pass in and out of the oil tank. Air flow through the bleed screw should be detectable during operation. When moving the log splitter close the bleed screw to avoid spilling oil. **Remember to open it again before the next operation.**
- WARNING! Failure to open the bleed screw will trap air within the system. The continued compression and decompression of this air will blow out the seals of the hydraulic system and cause permanent damage to the log splitter thus invalidating your warranty.**

5. OPERATING INSTRUCTIONS

- WARNING! Ensure you read, understand and apply the safety instructions before use.**
- 5.1 The control system of the log splitter requires the operator to use both hands. The left hand will control the hydraulic control lever (A) and the right hand controls the motor push button (B) as shown below in fig.3. If either hand is removed from the controls the log pusher stops. When both hands are removed from the controls the ram retracts and the log pusher automatically returns to the start position.
- WARNING! This system has been designed to prevent the operator from handling the log during the splitting process. For safety reasons the operator must not ask a second person to place or handle the log. The system is designed to be operated by one person only.**

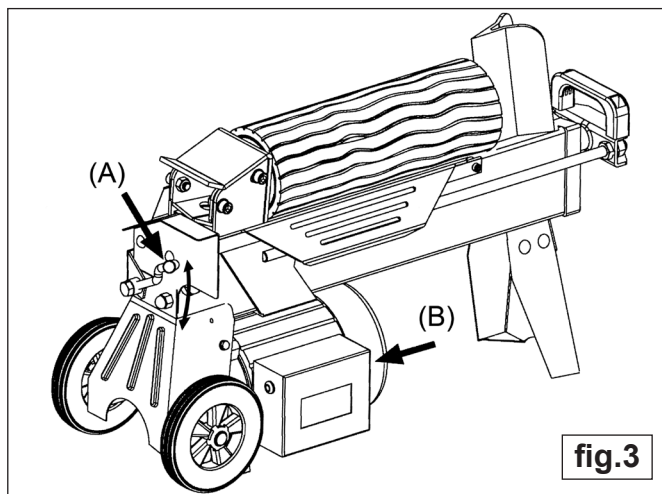
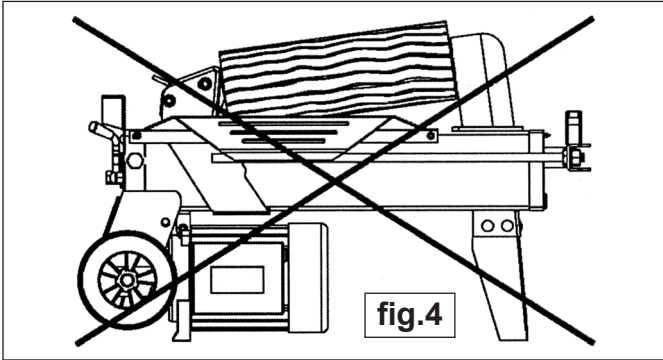
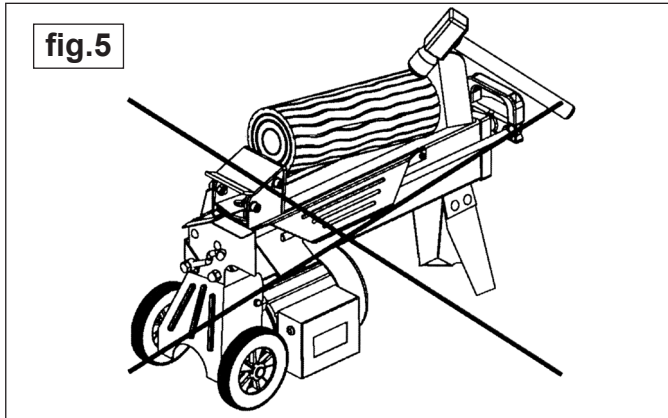


fig.3

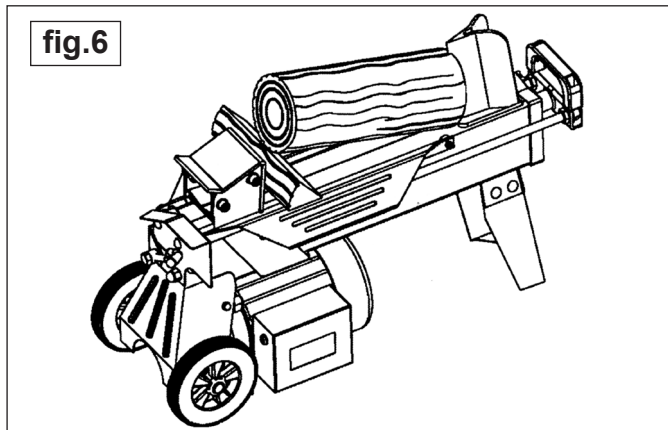
- 5.2 A number of factors will affect the way a log splits including the hardness of the wood and the complexity of the grain. A log which includes the junction of another branch or branches may be more difficult to split. Ideally the ends of the log should be cut square otherwise the log may change position when pressure is applied to it.
- 5.3 Always split a log along its grain. **Never attempt to split a log laid across the machine as this could be dangerous for the operator and could seriously damage the machine.**
- 5.4 Place a log onto the table as shown above in fig.3 ensuring that it sits between the log guides and the grain is aligned with the splitting wedge.
- 5.5 Operate the controls. If the log becomes misaligned between the log pusher and the splitting wedge when the log pusher first makes contact with the log, let go of the controls and allow the ram to retract. Rotate/reposition the log and try again. If the log will not sit properly on the table or continues to be misaligned under pressure it should be discarded or have the ends recut square.
- WARNING! If the log does not split within 5 seconds the controls must be released. After more than 5 seconds use the oil will become overheated and the machine could be damaged. Failure to split the log means that its hardness is beyond the capacity of the machine and the log should be discarded to protect the log splitter.**
- 5.6 Do not allow logs to ride up the splitting wedge as shown in fig.4. When pressure is applied to the upper part of the wedge only this could break the wedge or damage the machine.



- 5.7 Do not attempt to split a short log by pushing it with another log as one of the logs may fly up and hit you.
- 5.8 Do not attempt to free a jammed log by striking it with a hammer as this may damage the machine or cause a sudden release of the log which could be dangerous. See fig.5.

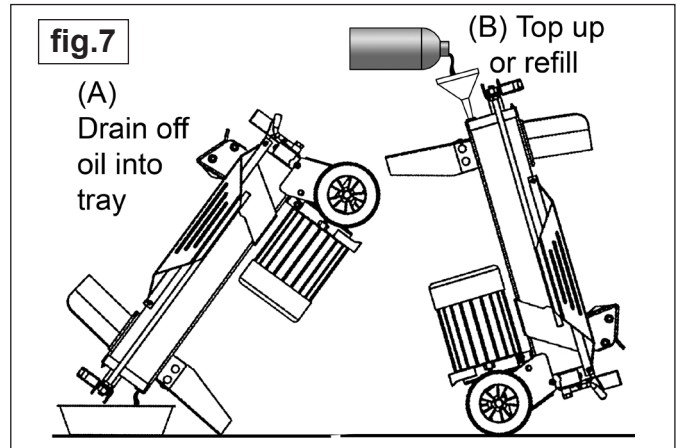


- 5.9 When a log becomes jammed allow the log pusher to return to the start position. Place a wedge under the jammed log and push the wedge with the log pusher as shown below in fig.6. Repeat the process with progressively larger wedges until the log is freed.



6. MAINTENANCE

- 6.1 The hydraulic oil should be replaced after every 150 hours of use with a good quality oil such as Sealey HJO5LT.
- 6.2 Ensure the log splitter is disconnected from the mains power supply.
- 6.3 Place a container with a minimum capacity of 4 litres up against the front support leg and directly under the oil filler bolt with integral dipstick (see fig.2-14).
- 6.4 Remove the oil filler bolt with dipstick and tip the log splitter forwards on the support leg so that the oil drains into the container as shown below in fig.7-A.
- 6.5 Tip the unit back on its wheels to a near vertical position and support it in this position as shown in fig.7-B. Refill the unit with 3½ litres of hydraulic oil. Drop the oil filler bolt with integral dipstick into the filler hole and remove again to check the oil level which should be between the two grooves on the dipstick.
- 6.6 Screw the oil filler bolt back into the filler hole and fully tighten to avoid leakage.



7. TROUBLESHOOTING

SYMPTOM	POSSIBLE CAUSE	SOLUTION
Log will not split.	Log is not correctly positioned	Refer to sections 5.3 to 5.5
	Oil leak	Contact service agent
	Wedge cutting edge is blunt	Sharpen with fine tooth file
	Size or hardness of log exceeds machine capacity	Discard and split more suitable logs
Log pusher moves jerkily or vibrates a lot.	Lack of hydraulic oil and excessive air in the hydraulic system.	Top up oil / contact service agent
Oil leaks around cylinder ram or other points	Air locked in hydraulic system while operating	Loosen bleed screw by 3 to 4 rotations prior to operation
	Bleed screw not tightened before moving log splitter	Tighten before moving log splitter
	Oil drain bolt loose	Tighten oil drain bolt
	Hydraulic control valve assembly and/or seals worn	Contact service agent

IMPORTANT: NO RESPONSIBILITY IS ACCEPTED FOR INCORRECT USE OF THIS PRODUCT.

Hydraulic products are only repaired by local service agents. We have service/repair agents in all parts of the UK.

DO NOT RETURN THE PRODUCT TO US. Please telephone us on 01284 757500 to obtain the address and phone number of your local agent. If product is under guarantee please contact your dealer. **DE-COMMISSIONING PRODUCT** Should the product become completely unserviceable and require disposal, draw off the oil into an approved container and dispose of the product and the oil according to local regulations.

Declaration of Conformity We, the sole importer into the UK, declare that the product listed here is in conformity with the following standards and directives.

**LOG SPLITTER (5 TON) 520MM CAPACITY
MODEL: LS520H**

93/68/EEC CE MARKING DIRECTIVE
2006/42/EC MACHINERY DIRECTIVE



The construction file for this product is held by the Manufacturer and may be inspected, by a national authority, upon request to Jack Sealey Ltd.

Signed by Steve Buckle

24th October 2008

For Jack Sealey Ltd. Sole importer into the UK of Sealey Quality Machinery.

NOTE: It is our policy to continually improve products and as such we reserve the right to alter data, specifications and component parts without prior notice.

IMPORTANT: No liability is accepted for incorrect use of this product.

WARRANTY: Guarantee is 12 months from purchase date, proof of which will be required for any claim.

INFORMATION: For a copy of our catalogue and latest promotions call us on 01284 757525 and leave your full name, address and postcode.



Sole UK Distributor
Sealey Group,
Bury St. Edmunds, Suffolk.



01284 757500

01284 703534



www.sealey.co.uk

sales@sealey.co.uk