

Thank you for purchasing a Sealey product. Manufactured to a high standard this product will, if used according to these instructions and properly maintained, give you years of trouble free performance.



**IMPORTANT: READ THESE INSTRUCTIONS CAREFULLY. NOTE THE SAFE OPERATIONAL REQUIREMENTS, WARNINGS AND CAUTIONS. USE THIS PRODUCT CORRECTLY AND WITH CARE FOR THE PURPOSE FOR WHICH IT IS INTENDED. FAILURE TO DO SO MAY CAUSE DAMAGE AND/OR PERSONAL INJURY AND WILL INVALIDATE THE WARRANTY. RETAIN THESE INSTRUCTIONS FOR FUTURE USE.**

### 1. SAFETY PRECAUTIONS

#### 1.1. GENERAL SAFETY INSTRUCTIONS.

- ✓ Read the operator's manual carefully before using your rollcab.
- x **DO NOT** open more than one drawer at a time.
- x **DO NOT** step on the drawers.
- x **DO NOT** let children near the rollcab.
- ✓ Ensure drawers are fully closed and the self locking catch is activated before moving the rollcab.
- ✓ Secure brakes when rollcab is in the desired position.

### 2. INTRODUCTION AND SPECIFICATIONS

Heavy gauge steel with double wall construction for extra strength and durability. Ball bearing drawer runners provide superior performance and carry heavier loads. Each drawer fitted with catch to prevent unexpected opening when being transported around the workshop. Added security provided by side mounted cylinder lock, supplied with two keys. Rubber grip side handles for comfort and ease when manoeuvring. Rust and solvent resistant powder coat paint finish. Fitted with anti-shock protection on all four corners to prevent accidental damage. Rollcabs feature two Ø125mm swivel castors with large toe locks and two fixed wheels. Tough composite top for fitting and securing top box or can be used as a workstation. Unique design fitted with perforated side panels for hanging tools and accessories.



AP2405

Model No	AP2405	AP2406	AP2407	AP2408	AP2410
Overall Size					
Width	766mm				
Depth	468mm				
Height	958mm				
Drawers (Qty)					
Medium	3	3	5	6	10
Large	1	2	1	2	
X - Large		1	1		
Drawer Width	533mm	533mm	533mm	533mm	533mm
Drawer Depth	391mm	391mm	391mm	391mm	391mm
Drawer Height (Medium)	58mm	58mm	58mm	58mm	58mm
Drawer Height (Large)	128mm	128mm	128mm	128mm	
Drawer Height (X - Large)		195mm	195mm		



AP2406



AP2407



AP2408



AP2410

Optional Accessories	
Model No	Description
AP24ACC1	Perforated Storage Panel
AP24ACC2	Side Shelf with Paper Roll Holder
AP24ACC3	Document Holder
AP24ACC4	Waste Bin
AP24ACC5	Can and Bottle Holder
AP24ACC6	Drawer Divider 3 x 395 x 58mm
AP24ACC7	Drawer Divider 3 x 395 x 120mm
AP24ACC9	Short Hook Set x 10pcs
AP24ACC10	Medium Hook Set x 10pcs

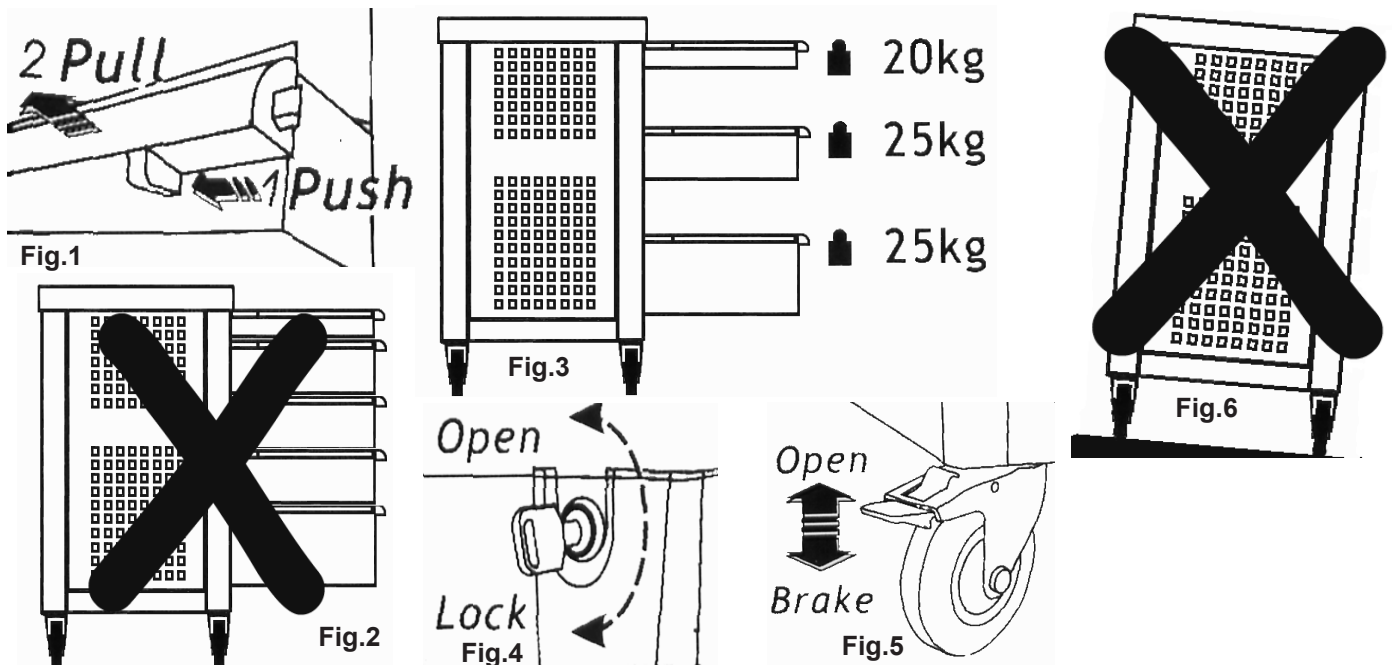
### 3. OPERATION

3.1 Each drawer is fitted with a catch mechanism on the right hand side of the drawer underneath the handle, to open drawer push the catch to the left to release the catch and pull the drawer open (fig.1).

**WARNING!** Only open one drawer at a time (fig.2) and **DO NOT** overload the drawers (fig.3) shows the maximum weight per drawer.

3.2 When moving the rollcab, ensure that the drawers are closed and locked (fig.4) to prevent accidental opening, release the brakes as shown in fig.5 and move the rollcab using the handles and maintain full control. When the rollcab has been moved to the required location, lock the brakes.

**WARNING! DO NOT** move across slopes of more than 5 degrees as the rollcab may tilt (fig.6).



### 4. PARTS

Part No	Description	Part No	Description
AP2408.02	Drawer (Medium)	AP2408.12	Swivel Castor with Brake
AP2408.03	Drawer (Large)	AP2408.13	Plastic Worktop
AP2408.08	Ball Bearing Slide 35mm (Pair)	AP2408.14	Anti Shock Protection (Pair)
AP2408.09	Ball Bearing Slide 27mm (Pair)	AP2408.15	Drawer Handle
AP2408.10	Fixed Castor	AP2408.16	Key
AP2408.11	Swivel Castor	AP2408.17	Drawer Handle Lock

**NOTE:** It is our policy to continually improve products and as such we reserve the right to alter data, specifications and component parts without prior notice.

**IMPORTANT:** No liability is accepted for incorrect use of product.

**WARRANTY:** Guarantee is 12 months from purchase date, proof of which will be required for any claim.

**INFORMATION:** For a copy of our latest catalogue and promotions call us on 01284 757525 and leave your full name and address, including postcode.



Sole UK Distributor  
Sealey Group,  
Bury St. Edmunds, Suffolk.

01284 757500  
01284 703534

[www.sealey.co.uk](http://www.sealey.co.uk)  
[sales@sealey.co.uk](mailto:sales@sealey.co.uk)