

INSTRUCTIONS FOR:
STEEL WORKBENCH 2mtr
 Models: **AP3020**

Thank you for purchasing a Sealey product. Manufactured to a high standard this product will, if used according to these instructions and properly maintained, give you years of trouble free performance.

IMPORTANT: PLEASE READ THESE INSTRUCTIONS CAREFULLY. NOTE THE SAFE OPERATIONAL REQUIREMENTS, WARNINGS & CAUTIONS. USE THE PRODUCT CORRECTLY AND WITH CARE FOR THE PURPOSE FOR WHICH IT IS INTENDED. FAILURE TO DO SO MAY CAUSE DAMAGE AND/OR PERSONAL INJURY AND WILL INVALIDATE THE WARRANTY. PLEASE KEEP INSTRUCTIONS SAFE FOR FUTURE USE.

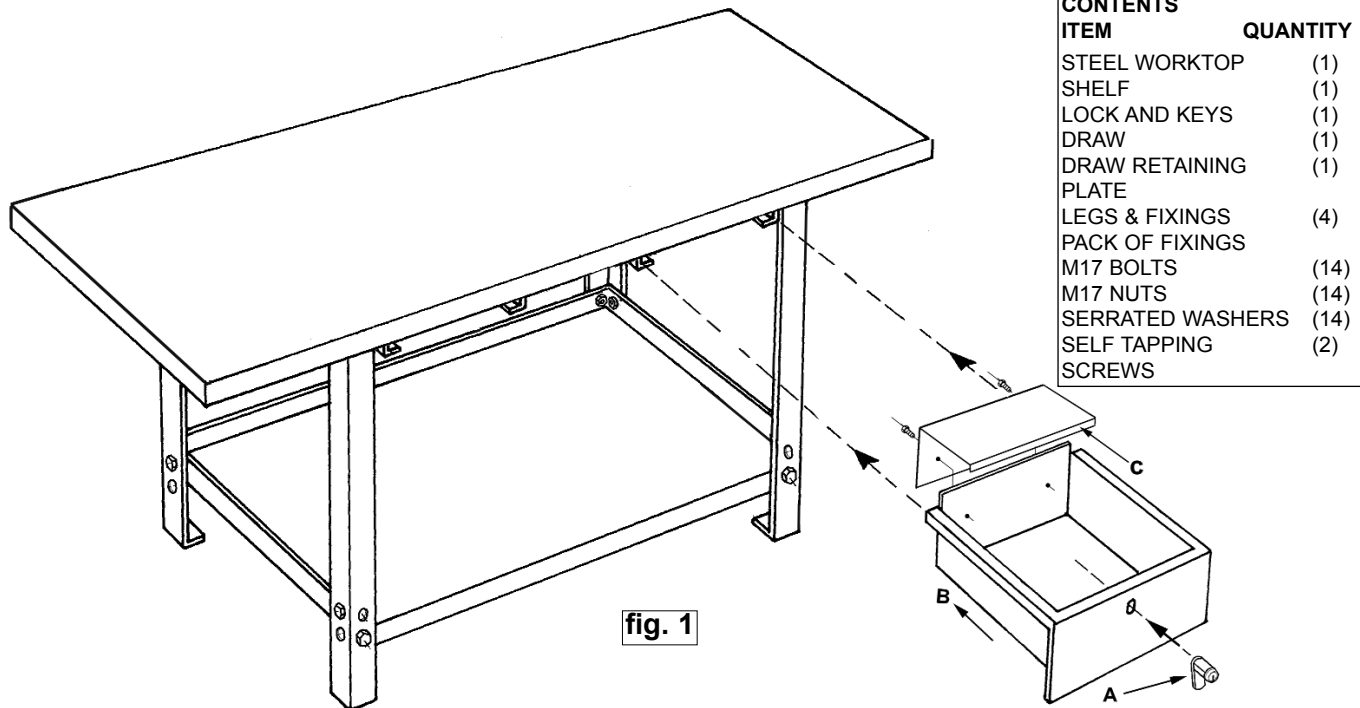
1. SAFETY INSTRUCTIONS

1.1 GENERAL SAFETY

- ☐ **WARNING!** Ensure Health & Safety, local authority, and general workshop practice regulations are adhered to when using this bench.
- ✓ Locate bench in a suitable working area.
- ✓ Keep the work area clean, uncluttered and ensure there is adequate lighting.
- ☐ **WARNING!** Use bench on level and solid ground, preferably concrete. *Avoid tarmacadam since the bench may sink into the surface.*
- ✓ Keep the bench clean and tidy in accordance with good workshop practice.
- ✓ Keep children and unauthorised persons away from the working area.
- ☐ **WARNING!** This bench is not electrically insulated and is therefore not suitable for electrical repairs of any sort.
- x **DO NOT** use the bench for any purpose other than that for which it is designed.
- x **DO NOT** undertake work on the bench without the workpiece being adequately secured. Use clamps or a vice (not included) to secure the workpiece, both available from your Sealey dealer.
- x **DO NOT** use the bench out of doors.
- x **DO NOT** get the bench wet or use in damp or wet locations or areas where there is condensation.
- x **DO NOT** clean the bench with any solvents which may damage the paint surface.

2. CONTENTS

- 2.1 Remove all parts and fixings from the box. Ensure that you have adequate help to remove the bench top from the box (it is too heavy for one person to safely lift).

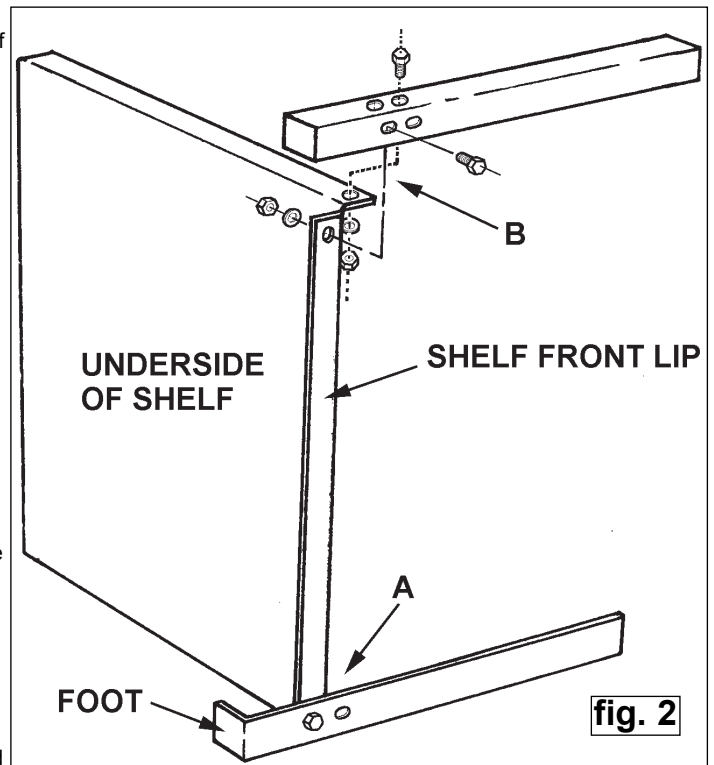


- 2.2 Check the contents against the parts listed above. Should there be any damaged or missing parts contact your supplier immediately.

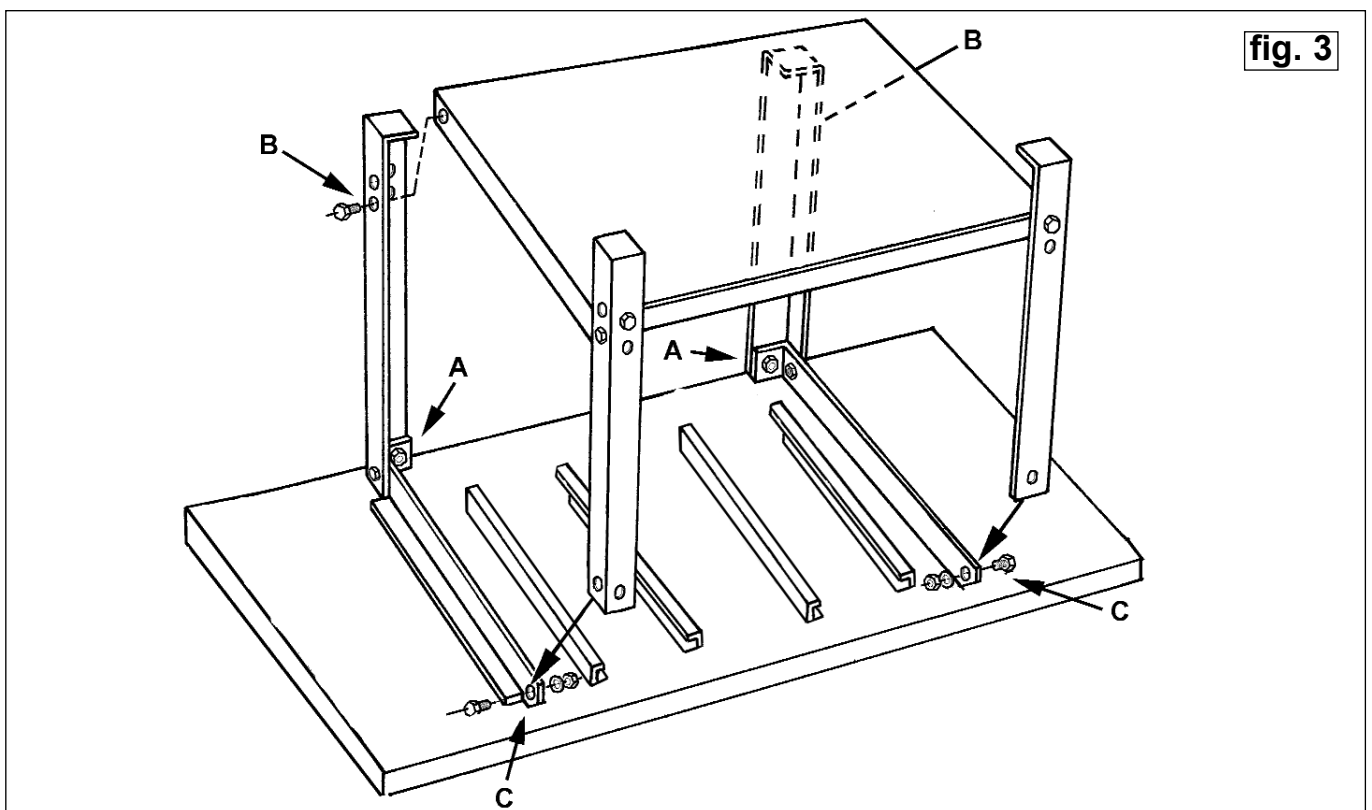
3. ASSEMBLY

- 3.1 The bench should be built upside down. Do not turn the right way up until all bolts have been fully tightened.
- 3.2 Lay one of the legs on the floor and place the shelf onto it as shown in fig. 2.A . The shelf must be supported until both bolts are in place. The turned down lip at the front of the shelf should be nearest to the foot. Place a bolt into the hole nearest to the foot and hand tighten the nut down onto a washer. Continue to support the shelf. Turn it through 90 degrees so that you can bolt the same leg to the other side of the shelf. Only hand tighten at this stage.
- 3.3 Now attach a second leg to the shelf using two sets of fixings as shown fig. 2.B.
- 3.4 Put some protective material onto the floor and place the bench top face down on top of it. Refer to fig. 3. Attach the remaining two legs to the back edge of the upturned bench using the nuts, bolts and washers provided, as shown in fig. 3.A.

- 3.5 Lift the shelf with the legs attached and stand it on to the upturned bench top so that the legs go between the inner edge of the bench and the supports and the back edge of the shelf rests inside the legs already attached to the bench as shown in fig.3. Ensure that you have adequate help to do this.
- 3.6 Attach the back edge of the shelf to the rear legs using two sets of fixings on each leg. These fixings go in the holes furthest away from the feet. (See fig. 3.B.)
- 3.7 Now bolt the front legs to the cross members on the underside of the bench top. The legs should be on the outside faces of the cross members as indicated on fig. 3.C. All fixings should be hand tight at this stage.
- 3.8 Check that the assembly is correct and then tighten all bolts with a 17mm spanner before the bench is turned upright.
- 3.9 Ensure that you have enough help to turn the bench upright and lift it into its final position. Support the bench whilst gently tipping it onto its rear face. Now roll the bench onto its four feet taking care not to let the feet slide as you turn the bench fully upright.
- 3.10 To assemble the barrel lock to the draw (see fig. 1.A), hook the the locking arm through the draw front making sure that the lock is rotated so the flats on the barrel line up with the flats in the hole and the lock is the right way up so that the arm turns upwards into the locking position. Refer to fig.1. To fix the lock in place press firmly on the front of the lock until the two sprung teeth on the barrel pass through the hole and come to bear on the inside face of the draw.
- 3.11 Slide the draw unit fully into the sheet metal runners on the underside of the bench top (see fig. 1.B) and lock the drawer. Take the bent sheet metal draw retaining plate (see fig. 1.C) and screw it to the back of the draw in the orientation shown in the drawing. The draw retaining plate will then come to rest on the back of the bench front edge thus preventing the draw falling out when it is fully opened.



Note! Drawer may be fitted to either left or right-hand pair of runners.



Parts support is available for this product. To obtain parts listing and/or diagram, please log on to www.sealey.co.uk, email sales@sealey.co.uk or phone 01284 757500.

NOTE: It is our policy to continually improve products and as such we reserve the right to alter data, specifications and component parts without prior notice.

IMPORTANT: No liability is accepted for incorrect use of product.

WARRANTY: Guarantee is 12 months from purchase date, proof of which will be required for any claim.

INFORMATION: For a copy of our latest catalogue and promotions call us on 01284 757525 and leave your full name and address, including postcode.

SEALEY

**POWER
PRODUCTS**

Sole UK Distributor
Sealey Group,
Bury St. Edmunds, Suffolk.

01284 757500
01284 703534



www.sealey.co.uk

sales@sealey.co.uk