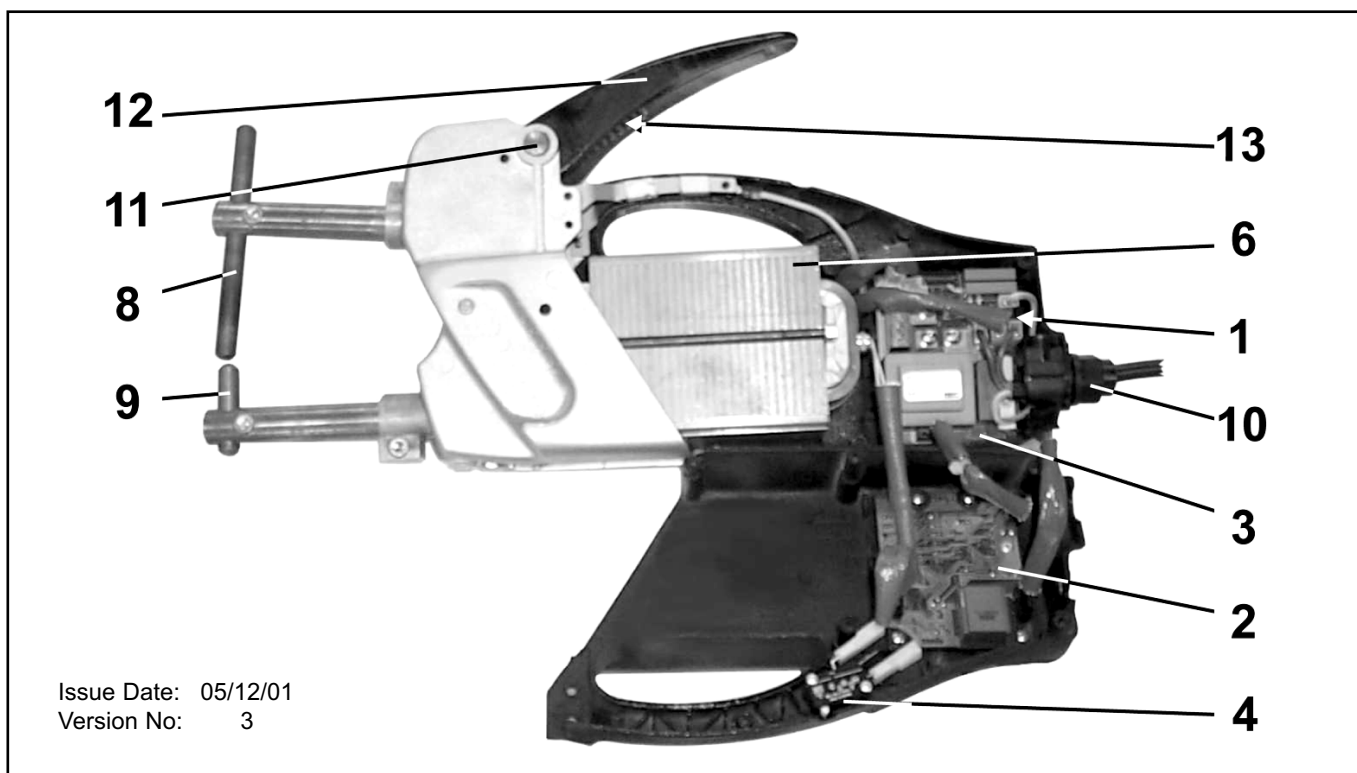
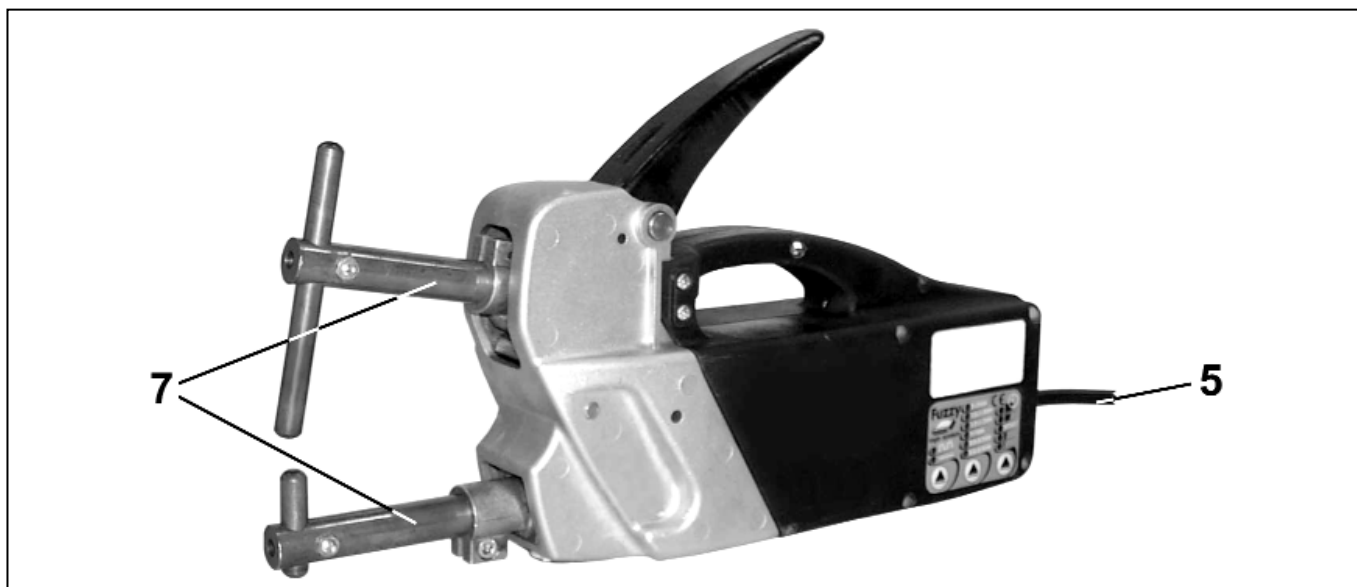


# SEALEY POWER WELDERS

Parts list for:  
**SPOT WELDER**  
 Model No: **SR123**



Issue Date: 05/12/01  
 Version No: 3

Item	Part No.	Description	Item	Part No.	Description
1	120/113585	SCR	8	See last page for full range of electrodes.	
2	120/114070	Control PCB	9	See last page for full range of electrodes.	
3	120/114085	Power PCB	10	120/990046	Bushing and nut,cable
4	120/122393	Microswitch	11	120/482887	Pin
5	120/132104	Mains Cable 3G02.50 3M	12	120/322512	Handle Cover
6	120/169034	Transformer	13	120/212163	Screw
7	See last page for full range of arms.		14	120/232113	Eyebolt and spacer (not shown)



Sole UK Distributor  
 Sealey Group,  
 Bury St. Edmunds, Suffolk.



01284 757500



01284 703534

**E-mail:** sales@sealey.co.uk

