

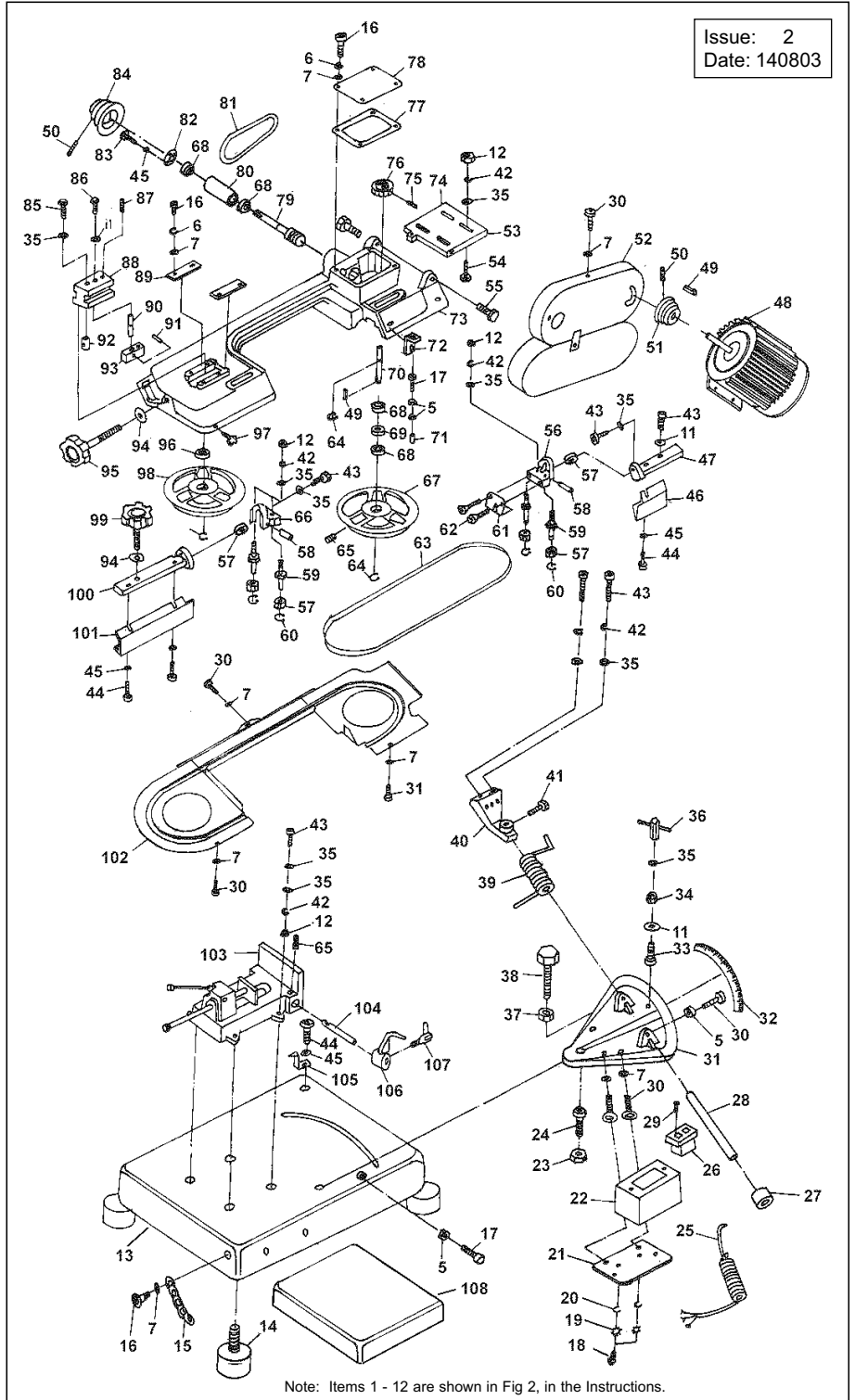


Sole UK Distributor,
Sealey Group,
Bury St. Edmunds,
Suffolk.

Parts List & Diagram for:
METAL CUTTING BANDSAW
Model: **SM65.V2**

Issue: 2
Date: 140803

| Item | Part No. | Description |
|------|------------|------------------------|
| 1 | SM65.V2.01 | Leg |
| 2 | SM65.V2.02 | Support F & R |
| 3 | SM65.V2.03 | Support L & R |
| 4 | SM65.V2.04 | Angle Steel L & R |
| 5 | SM65.V2.05 | Nut |
| 6 | SM65.V2.06 | Washer |
| 7 | SM65.V2.07 | Flat Washer |
| 8 | SM65.V2.08 | Bolt |
| 9 | SM65.V2.09 | Angle Steel L & R |
| 10 | SM65.V2.10 | Bolt |
| 11 | SM65.V2.11 | Flat Washer |
| 12 | SM65.V2.12 | Nut |
| 13 | SM65.V2.13 | Work Table |
| 14 | SM65.V2.14 | Rubber Pad |
| 15 | SM65.V2.15 | Chain |
| 16 | SM65.V2.16 | Screw |
| 17 | SM65.V2.17 | Screw |
| 18 | SM65.V2.18 | Screw |
| 19 | SM65.V2.19 | Teeth Washer |
| 20 | SM65.V2.20 | Washer |
| 21 | SM65.V2.21 | Switch Support Plate |
| 22 | SM65.V2.22 | Terminal Box |
| 23 | SM65.V2.23 | Nut |
| 24 | SM65.V2.24 | Screw |
| 25 | SM65.V2.25 | Cable |
| 26 | SM65.V2.26 | Switch |
| 27 | SM65.V2.27 | Tube |
| 28 | SM65.V2.28 | Connecting Shaft |
| 29 | SM65.V2.29 | Screw |
| 30 | SM65.V2.30 | Screw |
| 31 | SM65.V2.31 | Bevel Holder |
| 32 | SM65.V2.32 | Angle Label |
| 33 | SM65.V2.33 | Bolt |
| 34 | SM65.V2.34 | Nut |
| 35 | SM65.V2.35 | Washer |
| 36 | SM65.V2.36 | Nut |
| 37 | SM65.V2.37 | Nut |
| 38 | SM65.V2.38 | Bolt |
| 39 | SM65.V2.39 | Spring |
| 40 | SM65.V2.40 | Connecting Plate |
| 41 | SM65.V2.41 | Screw |
| 42 | SM65.V2.42 | Washer |
| 43 | SM65.V2.43 | Screw |
| 44 | SM65.V2.44 | Screw |
| 45 | SM65.V2.45 | Washer |
| 46 | SM65.V2.46 | Lower Guard Plate |
| 47 | SM65.V2.47 | Lower Adjusting Holder |
| 48 | SM65.V2.48 | Motor |
| 49 | SM65.V2.49 | Key |
| 50 | SM65.V2.50 | Screw |
| 51 | SM65.V2.51 | Motor Pulley |
| 52 | SM65.V2.52 | Pulley Cover |
| 53 | SM65.V2.53 | Motor Plate |
| 54 | SM65.V2.54 | Bolt |
| 55 | SM65.V2.55 | Bolt |
| 56 | SM65.V2.56 | Lower Guard Holder |
| 57 | SM65.V2.57 | Bearing |
| 58 | SM65.V2.58 | Key |
| 59 | SM65.V2.59 | Key |
| 60 | SM65.V2.60 | Retaining Ring |
| 61 | B/629ZZ | Blade Plate |
| 62 | SM65.V2.62 | Screw |
| 63 | See below | Blade |
| 64 | SM65.V2.6 | Retaining Ring |
| 65 | SM65.V2.65 | Screw |
| 66 | SM65.V2.66 | Upper Guard Holder |
| 67 | SM65.V2.67 | Drive Pulley |
| 68 | SM65.V2.68 | Bearing |
| 69 | SM65.V2.69 | Seal Ring |
| 70 | SM65.V2.70 | Shaft |
| 71 | SM65.V2.71 | Plastic Cap |
| 72 | SM65.V2.72 | Pressing Bracket |
| 73 | SM65.V2.73 | Machine Body |
| 74 | SM65.V2.74 | Motor Plate |
| 75 | SM65.V2.75 | Screw |
| 76 | SM65.V2.76 | Worm Gear |
| 77 | SM65.V2.77 | Seal Pad |
| 78 | SM65.V2.78 | Cover |
| 79 | SM65.V2.79 | Worm Bar |
| 80 | SM65.V2.80 | Tube |
| 81 | SM65.V2.81 | V-belt |
| 82 | SM65.V2.82 | Capacitor Cover |
| 83 | SM65.V2.83 | Screw |
| 84 | SM65.V2.84 | Motor Plate |
| 85 | SM65.V2.85 | Bolt |
| 86 | SM65.V2.86 | Bolt |
| 87 | SM65.V2.87 | Screw |
| 88 | SM65.V2.88 | Sliding Bracket |
| 89 | SM65.V2.89 | Pressing Plate |
| 90 | SM65.V2.90 | Shaft |
| 91 | SM65.V2.91 | Pin |
| 92 | SM65.V2.92 | Elevating Plate |



Note: Items 1 - 12 are shown in Fig 2, in the Instructions.

| Item | Part No. | Description |
|------|-------------|------------------------|
| 93 | SM65.V2.93 | Adjusting Plate |
| 94 | SM65.V2.94 | Washer |
| 95 | SM65.V2.95 | Tension Knob |
| 96 | SM65.V2.96 | Tube |
| 97 | SM65.V2.97 | Knob |
| 98 | SM65.V2.98 | Driven Pulley |
| 99 | SM65.V2.99 | Knob |
| 100 | SM65.V2.100 | Upper Adjusting Holder |
| 101 | SM65.V2.101 | Upper Guard Cover |
| 102 | SM65.V2.102 | Cover |
| 103 | SM65.V2.103 | Vice |
| 104 | SM65.V2.104 | Fence |

| Item | Part No. | Description |
|------|-------------|------------------|
| 105 | SM65.V2.105 | Pointer |
| 106 | SM65.V2.106 | Position Bracket |
| 107 | SM65.V2.107 | Knob |
| 108 | SM65.V2.108 | Table Extension |

Blades available from your Sealey supplier:

| Part No. | Description |
|------------|------------------------|
| SM5/113/6 | 64½ x ½ x 0.025" 6tpi |
| SM5/113/10 | 64½ x ½ x 0.025" 10tpi |
| SM5/113/14 | 64½ x ½ x 0.025" 14tpi |
| SM5/113/24 | 64½ x ½ x 0.025" 24tpi |