



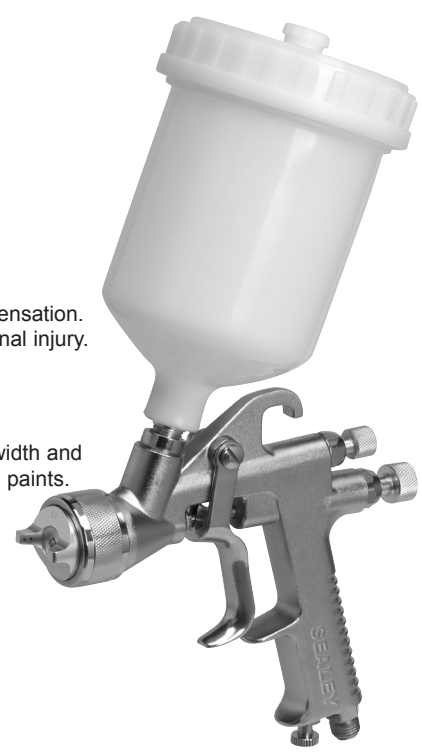
INSTRUCTIONS FOR:  
**GRAVITY FEED  
 REFINISHING GUN**  
 MODEL NO: **SSG5 .V3**

Thank you for purchasing a Sealey product. Manufactured to a high standard this product will, if used according to these instructions and properly maintained, give you years of trouble free performance.

**IMPORTANT: PLEASE READ THESE INSTRUCTIONS CAREFULLY. NOTE THE SAFE OPERATIONAL REQUIREMENTS, WARNINGS AND CAUTIONS. USE THE PRODUCT CORRECTLY AND WITH CARE FOR THE PURPOSE FOR WHICH IT IS INTENDED. FAILURE TO DO SO MAY CAUSE DAMAGE AND/OR PERSONAL INJURY AND WILL INVALIDATE THE WARRANTY. PLEASE KEEP INSTRUCTIONS SAFE FOR FUTURE USE.**

**1. SAFETY INSTRUCTIONS**

- 3 Familiarise yourself with this products application and limitations, as well as the specific potential hazards peculiar to the spray gun.
- p **WARNING!** Disconnect the spray gun from the air supply before changing accessories, servicing or performing any maintenance.
- 3 Paint cup remains pressurised after gun is disconnected from air line. **DO NOT pull the trigger, but depressurise by gently opening cup.**
- 3 Maintain the spray gun in good condition (use an authorised service agent).
- 3 Replace or repair damaged parts. *Use recommended parts only. Unauthorised parts may be dangerous and will invalidate the warranty.*
- 3 Locate the spray gun in an adequate working area for its function, keep area clean and tidy and free from unrelated materials and ensure there is adequate ventilation and lighting.
- 3 Keep the spray gun clean for best and safest performance.
- 3 Ensure the air system is suitable to the spray gun air consumption, (see specifications).
- 3 Wear approved respiratory protection and safety eye goggles.
- 3 Wear appropriate protective overalls.
- 3 Keep children and unauthorised persons away from the working area.
- 3 When not in use ensure the air supply is turned off.
- 3 Avoid unintentional operation.
- 7 **DO NOT** point spray gun at yourself, at other persons or animals.
- 7 **DO NOT** carry by the air hose, or yank the hose from the air supply.
- 7 **DO NOT** use the spray gun for any purpose other than for which it is designed.
- 7 **DO NOT** allow untrained persons to operate the spray gun.
- 7 **DO NOT** get the spray gun wet or use in damp or wet locations or areas where there is condensation.
- 7 **DO NOT** operate gun if any parts are missing or damaged as this may cause failure or personal injury.
- 7 **DO NOT** direct air from the air hose at yourself or others.



**2. INTRODUCTION & SPECIFICATIONS**

Superbly balanced spray gun ideal for applying base coats. Features adjustable paint flow, fan width and air regulator controls. Supplied with composite gravity feed pot. Suitable for use with waterborne paints. Alternative set-ups available separately.

Standard Set up: .....	2.0mm
Available Set ups: .....	1.2, 1.4 and 1.8mm
Air Pressure: .....	50psi
Air Consumption: .....	7 - 14cfm

**3. AIR SUPPLY CONNECTION**

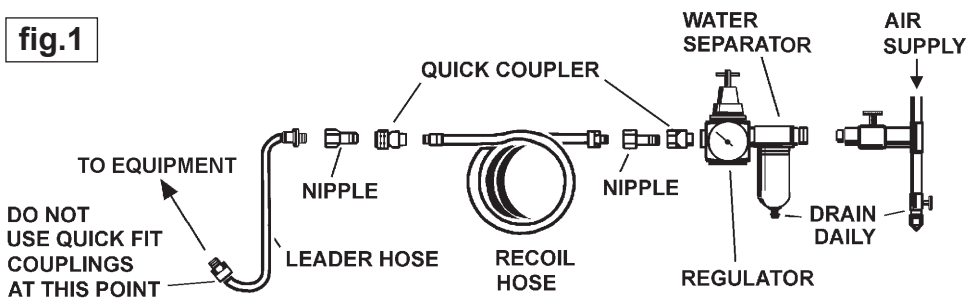
**3.1. Air Supply**

- 3.1.1. Ensure spray gun air valve (or trigger) is in the "off" position before connecting to the air supply.
- 3.1.2. You will require an air pressure of 50psi and an air flow according to specification.
- 3.1.3. p **WARNING!** Ensure the air supply is clean and does not exceed 50psi while operating the spray gun. Too high an air pressure and unclean air will shorten the product life due to excessive wear and may be dangerous causing damage and/or personal injury.
- 3.1.4. Drain the air tank daily. Water in the air line will ruin the paint finish and damage the spray gun.
- 3.1.5. Clean air inlet filter weekly. Recommended hook-up procedure is shown in fig.1.
- 3.1.6. Line pressure should be increased to compensate for unusually long air hoses (over 8 metres). The minimum hose diameter should be 1/4" I.D. and fittings must have the same inside dimensions.
- 3.1.7. Keep hose away from heat, oil and sharp edges. Check hose for wear and make certain that all connections are secure.

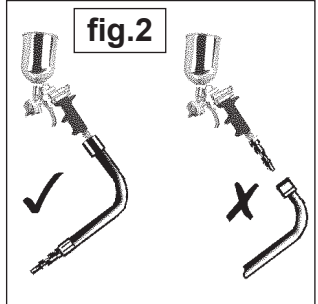
**3.2. Couplings.**

Do not fit a quick change coupling directly to the spray gun. A leader hose should be fitted to the spray gun and then a quick change coupling may then be used to connect the leader hose to the air line recoil hose. See fig.1 & 2.

**fig.1**

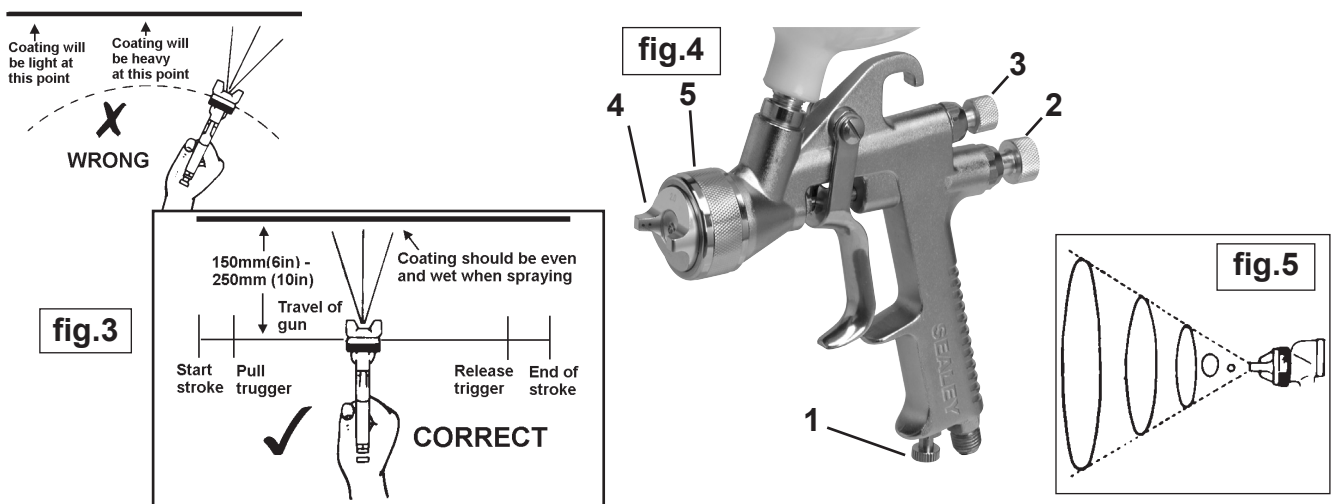


**fig.2**



## 4. OPERATING INSTRUCTIONS

- 4.1. For best results, make sure to handle the gun correctly. It should be held perpendicular to the surface being sprayed and moved parallel to it. Start the stroke before squeezing the trigger and release the trigger before finishing the stroke. This will enable you to accurately control the gun and material (fig.3).
- 4.2. Spray from a distance of about 150mm (6") to 250mm (10") depending on the material and the atomizing pressure. The material deposited should always be even and wet. Each stroke must overlap the preceding stroke to obtain a uniform finish. To reduce over spray and obtain maximum efficiency, spray with the lowest possible atomizing air pressure.
- 4.3. Controlling the fan spray and the fluid.
  - a) The atomizing air flow is controlled by knob (fig.4.1).
  - b) Use the needle adjustment knob (fig.4.2) to increase or decrease the amount of paint flow.
  - c) The width of the spray can be adjusted using knob (fig.4.3).
  - d) As width of spray is increased more material must pass through the gun to obtain the same coverage on the increased area.
  - e) Turn the air nozzle (fig.4.4) to achieve a horizontal or vertical fan spray. Lock the nozzle with retaining ring (fig.4.5).  
The spray pattern of the gun is variable from round to flat with all patterns in between. In normal operation, the wings on the nozzle are horizontal as fig.4, this provides a vertical fan-shaped pattern which gives maximum uniform and even coverage when moving the gun back and forth, parallel to the work surface (fig.5).



## 5. CLEANING & MAINTENANCE

**FOR OPTIMUM PERFORMANCE IT IS VERY IMPORTANT TO ENSURE THE GUN IS CORRECTLY CLEANED AFTER EACH USE.** Disconnect from the air supply before attempting any cleaning or maintenance.

### 5.1. Cleaning the gun

- 5.1.1. Immerse the front end of the gun only in solvent. The solvent should just cover the fluid connection.
- 5.1.2. Use a bristle brush and solvent to wash off accumulated paint.
- 5.1.3. Do not immerse the entire gun in solvent as this will cause lubricants on the rubber seals to dissolve. Dirty solvent may also clog narrow passages in the gun.
- 5.1.4. Flush the gun through with clean thinners.
- 5.1.5. Wipe the outside of the gun with a dampened solvent rag.

### 5.2. Air nozzle, fluid nozzle and needle assembly

- 5.2.1. To clean the nozzles, soak them in solvent to dissolve any dried material then blow them clean with air. Handle all nozzles carefully and do not make any alterations in the gun.
- 5.2.2. If you need to probe the holes in the nozzles, be sure to use a tool that is softer than brass; do not use metal instruments.
- 5.2.3. Adjust the fluid needle valve so that when the gun is triggered, air flow occurs before fluid flow.

### 5.3. Further cleaning hints and tips

- 5.3.1. When cleaning with a cup, a compatible solvent should be siphoned through the gun by inserting the tube from the siphon cup in a open container of solvent. Trigger the gun intermittently to thoroughly flush passageways and internal parts.




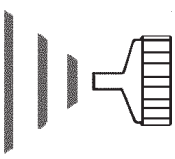
### 5.4. Maintenance

Take care when re-assembling. Screw parts hand tight to avoid cross-threading. If a part cannot easily be turned by hand, check that you have the correct part, or unscrew, realign and try again. **DO NOT** use excessive force when re-assembling.

- 5.4.1. Lubricate the gun daily with a light machine oil.
- 5.4.2. If you change the nozzle size, ensure the complete nozzle set is exchanged. Insert paint nozzle before putting the paint needle in.
- 5.4.3. To change the needle packing use the socket spanner provided. Note: Handle the teflon seal and self tensioning spring with care.

## 6. TROUBLESHOOTING

A faulty spray is usually caused by improper cleaning or dried material around the fluid nozzle tip or in the air nozzle. Soak these parts in a solvent that will soften the dried material and remove with a brush or a cloth. Never use metal instruments to clean the air or fluid nozzles. These parts are carefully machined and any damage to them will cause a faulty spray. If either the air nozzle or fluid nozzle is damaged, the part must be replaced before a perfect spray can be obtained.

VIEW OF PROBLEM	POSSIBLE REASON FOR PROBLEM	SOLUTION
	Dried material in a dirty side port restricts passage of air. Greater flow of air from the cleaner side port forces a fan pattern in the direction of the clogged side.	Dissolve material in the side ports with thinner, then blow the gun clean. Do not poke into the opening with metal instruments.
	Dried material around the outside of the fluid nozzle tip restricts the passage of atomizing air at one point through the centre opening of the air nozzle and results in the pattern shown. This pattern can also be caused by a loose air nozzle.	Remove the air nozzle and wipe off fluid tip using a rag dampened with thinner.  Tighten the air nozzle
	A split spray or one that is heavy on each end of a fan pattern and weak in the middle is usually caused by too high an atomization air pressure or by attempting to get too wide a spray with thin material.	Check supply pressure and reduce if over 50psi. Adjust the air atomisation valve to reduce pressure and adjust paint needle if required. Check spray pattern on a test panel.
	Dirt between the fluid nozzle seat and body or loosely installed fluid nozzle will cause the gun to spit.	Remove the fluid nozzle, clean the back of the nozzle and the nozzle seat in the gun body using a rag dampened with thinner. Replace the nozzle and secure it tightly against the body.
<b>Material bubbles in paint cup.</b>	Atomised air flowing through the paint channel to pot. The paint nozzle is not tight enough. Air nozzle is not completely screwed in. The air inlet seal is defective or nozzle insert is damaged.	Tighten, clean or replace parts accordingly.

## 7. DECLARATION OF CONFORMITY

**Declaration of Conformity** We, the sole importer into the UK, declare that the product listed here is in conformity with the following standards and directives.

**Gravity Feed Spray Gun**  
**Model SSG5.V3**  
93/68/EEC CE Marking Directive



The construction files for this product is held by the manufacturer and may be inspected, by a national authority, upon request to Jack Sealey Ltd.

For Jack Sealey Ltd. Sole importer into the UK of Sealey Power Products. Signed by Mark Sweetman  22nd January 2008

Parts support is available for this product.

To obtain a parts list and diagram please log on to [www.sealey.co.uk](http://www.sealey.co.uk), email [sales@sealey.co.uk](mailto:sales@sealey.co.uk) or phone 01284 757500

**NOTE:** It is our policy to continually improve products and as such we reserve the right to alter data, specifications and component parts without prior notice.

**IMPORTANT:** No liability is accepted for incorrect use of product.

**WARRANTY:** Guarantee is 12 months from purchase date, proof of which will be required for any claim.

**INFORMATION:** For a copy of our latest catalogue and promotions call us on 01284 757525 and leave your full name and address, including postcode.



Sole UK Distributor  
Sealey Group,  
Bury St. Edmunds, Suffolk.



01284 757500



01284 703534



[www.sealey.co.uk](http://www.sealey.co.uk)

E-mail: [sales@sealey.co.uk](mailto:sales@sealey.co.uk)