

Thank you for purchasing a Sealey product. Manufactured to a high standard this product will, if used according to these instructions and properly maintained, give you years of trouble free performance.



IMPORTANT: PLEASE READ THESE INSTRUCTIONS CAREFULLY. NOTE THE SAFE OPERATIONAL REQUIREMENTS, WARNINGS AND CAUTIONS. USE THE PRODUCT CORRECTLY AND WITH CARE FOR THE PURPOSE FOR WHICH IT IS INTENDED. FAILURE TO DO SO MAY CAUSE DAMAGE AND/OR PERSONAL INJURY AND WILL INVALIDATE THE WARRANTY. PLEASE KEEP INSTRUCTIONS SAFE FOR FUTURE USE.

1. SAFETY INSTRUCTIONS

- ✓ Familiarise yourself with the application and limitations, as well as the potential hazards of the spray gun.
- ❑ **WARNING!** Disconnect the spray gun from the air supply before changing accessories, servicing or performing any maintenance.
- ✓ Maintain the spray gun in good condition (use an authorised service agent).
- ✓ Replace or repair damaged parts. *Use recommended parts only. Unauthorised parts may be dangerous and will invalidate the warranty.*
- ✓ Locate the spray gun in a suitable work area, keep area clean and tidy and free from unrelated materials, and ensure that there is adequate ventilation and lighting.
- ✓ Keep the spray gun clean for best and safest performance.
- ✓ Ensure the air system has sufficient output for the spray gun air consumption (see specification).
- ✓ Wear approved respiratory protection, safety eye goggles and skin protection.
- ✓ Remove ill fitting clothing. Remove ties, watches, rings and other loose jewellery and tie back long hair.
- ✓ Keep children and unauthorised persons away from the work area.
- ✓ When gun is not in use ensure the air supply is disconnected.
- ✓ Avoid unintentional operation.
- ✗ **DO NOT** paint where there is any source, or possible source, of ignition as paint mist is extremely flammable.
- ✗ **DO NOT** point spray gun at yourself or at other persons or animals.
- ✗ **DO NOT** carry the by the air hose, or yank the hose from the air supply.
- ✗ **DO NOT** use the spray gun for any purpose other than for which it is designed.
- ✗ **DO NOT** allow untrained persons to operate the spray gun.
- ✗ **DO NOT** get the spray gun wet or use in damp or wet locations or areas where there is condensation.
- ✗ **DO NOT** operate gun if any parts are missing or damaged as this may cause failure and/or personal injury.
- ✗ **DO NOT** direct air from the air hose at yourself or others.
- ✓ When not in use switch the spray gun off and disconnect from the air supply.



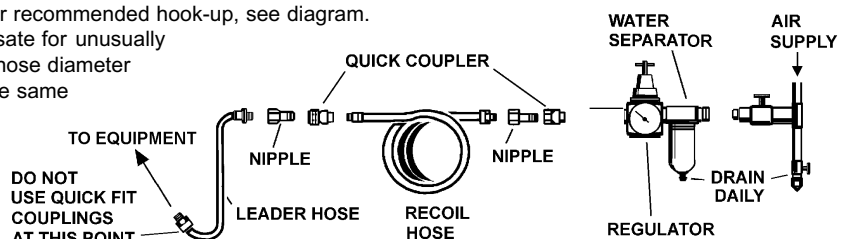
2. SPECIFICATION

The SSG1X is a well balanced spray gun suitable for refinishing. Supplied with an aluminium suction feed pot, the gun has the following specification:

Standard Set Up:1.8mm (for 1.5, 2 & 2.5mm see Parts List)
 Nominal Operating Air Pressure:4 - 5 bar (60 - 75psi)
 Nominal Air Consumption:350l/min (12.5cfm)
 Pot Capacity1l
 Air Connection1/4"

3. AIR SUPPLY

- 3.1. Ensure the air valve is in the "off" position before connecting to the air supply.
- 3.2. You will require an air pressure of approximately 70psi and an air volume of more than 12cfm to operate the gun.
- 3.3. ❑ **WARNING! Ensure the air supply is clean does not exceed 90psi. Too high an air pressure and unclean air will shorten the life of the gun due to excessive wear and may be dangerous, causing damage and/or personal injury.**
- 3.4. Drain the air supply tank daily. Water in the air line will damage the gun and contaminate the paint.
- 3.5. Clean the compressor air inlet filter weekly. For recommended hook-up, see diagram.
- 3.6. Line pressure should be increased to compensate for unusually long air hoses (over 8 metres). The minimum hose diameter should be 10mm I.D. and fittings must have the same inside dimensions.
- 3.7. Keep hose away from heat, oil and sharp edges. Check hoses for wear, and make certain that all connections are secure.



4. PREPARATION

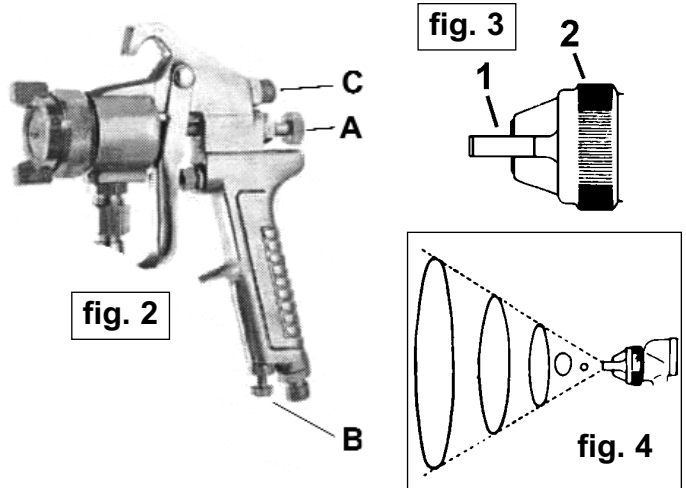
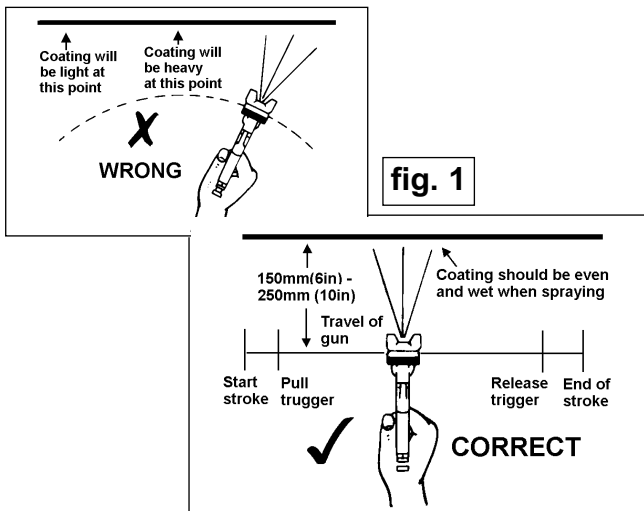
The gun was treated with an anti-corrosion agent to protect it prior to first use. Before first use make sure that the gun is flushed with paint solvent to remove the agent.

- ❑ **WARNING!** Solvents and cleaning agents based on halogenated hydrocarbons, e.g. 1.1.1-trichloroethylene and methylene chloride, may have a chemical reaction with the aluminium components of the gun. In extreme cases the reaction can be explosive. Therefore, use only solvents/cleaning agents which DO NOT contain these substances.

5. OPERATING INSTRUCTIONS

Ensure that you have read and understood the Safety Instructions in Section 1 and the Warning in Section 4.

- 5.1. For best results the gun must be handled and operated correctly. It should be held perpendicular to the surface being sprayed and moved parallel to it. Start the stroke before squeezing the trigger and release the trigger before finishing the stroke. This will enable you to accurately control the gun and paint (fig. 1).
- 5.2. Spray from a distance of about 6 to 10 inches depending on the material and the atomizing pressure. The paint deposited should always be even and wet. Each stroke must overlap the preceding stroke to obtain a uniform finish. To reduce over-spray and obtain maximum efficiency, spray with the lowest effective atomizing air pressure.
- 5.3. Controlling the fan spray and the paint:
 - a) Use the paint control knob (fig. 2.A) to increase or decrease the paint flow.
 - b) Fig. 2.B is the air input control and should be set to the lowest effective flow.
 - c) Turn the air cup (fig. 3.1) to achieve a horizontal or vertical fan spray. Lock the cup with retaining ring (fig. 3.2).
 - d) The spray pattern is variable from round to flat with all patterns in between, controlled by the pattern knob (fig.2.C).
 - e) In normal operation, the wings on the cup are horizontal as fig. 3. This provides a vertical fan-shaped pattern (fig. 4) which gives optimum coverage when moving the gun back and forth, parallel to the work surface.



6. CLEANING & MAINTENANCE

IT IS VERY IMPORTANT TO ENSURE THAT THE GUN IS CORRECTLY CLEANED AFTER EACH USE.

Disconnect from the air supply before attempting any cleaning, other than flushing, or maintenance.

6.1. Cleaning the gun

- 6.1.1. Flush the gun thoroughly with solvent and clean the nozzle with solvent and a brush. DO NOT immerse/soak the nozzle in solvent.
- 6.1.2. DO NOT immerse the entire gun in solvent. This will cause lubricants to dissolve and packing to dissolve or dry out.
- 6.1.3. Wipe the outside of the gun with a solvent-dampened rag.
- 6.1.4. If you need to clear blocked orifices, be sure to use a probe that is softer than brass.

6.2. Maintenance

Take care when re-assembling. Screw parts hand tight to avoid cross-threading. If a part cannot easily be turned by hand, check that you have the correct part, or unscrew, realign and try again. DO NOT use excessive force when re-assembling.

- 6.2.1. Lubricate the gun daily with a light machine oil. Be sure to lubricate the fluid needle packing, air valve packing and trigger pivot point.
- 6.2.2. If you change the nozzle size, ensure the complete nozzle set is exchanged. Insert paint nozzle before putting the paint needle in.

7. TROUBLESHOOTING

A faulty spray is usually caused by improper cleaning or dried material around the fluid nozzle tip or in the air cup - use a brush and solvent to remove. Never use metal instruments to clean the air cup or paint nozzle. These parts are carefully machined and any damage to them will cause a faulty spray. If either the air cup or paint nozzle is damaged, the part must be replaced before a perfect spray can be obtained.

VIEW OF PROBLEM	POSSIBLE REASON FOR PROBLEM	SOLUTION
	Dried material in a dirty side port restricts passage of air. Greater flow of air from the cleaner side port forces the fan pattern in the direction of the clogged side.	Dissolve material in the side ports with solvent, then blow the gun clean. Do not poke the orifice with a metal instrument.
	Dried material around the outside of the fluid nozzle tip restricts the passage of atomizing air at one point through the centre opening of the air cup and results in the pattern shown. This pattern can also be caused by a loose air cup.	Remove the air cup and wipe off fluid tip using a rag dampened with solvent. Tighten the air cup.
	A split spray or one that is heavy at each end of the fan pattern and weak in the middle is usually caused by too high an atomization air pressure or by attempting to get too wide a spray with thin paint.	Dried material in a dirty side port restricts passage of air. Greater flow of air from the cleaner side port forces a fan pattern in the direction of the clogged side.
	<ol style="list-style-type: none"> 1. Worn needle packing permits air to get into the fluid passageway. This results in spitting. 2. Dirt between the paint nozzle seat and body or a loose paint nozzle will cause the gun to spit. 3. A loose or defective joint between the pot and gun can cause spitting. 	<ol style="list-style-type: none"> 1. Tighten the packing screw or, in severe cases, replace the packing. 2. Remove the fluid nozzle, clean the back of the nozzle and the nozzle seat in the gun body using a rag dampened with solvent. 3. Tighten or replace.