

SEALEY

Quality MACHINERY

INSTRUCTIONS FOR:
DUST & CHIP EXTRACTOR
MODEL: **SM47.V3**

Thank you for purchasing a Sealey product. Manufactured to a high standard this product will, if used according to these instructions and properly maintained, give you years of trouble free performance.

IMPORTANT: PLEASE READ THESE INSTRUCTIONS CAREFULLY. NOTE THE SAFE OPERATIONAL REQUIREMENTS, WARNINGS AND CAUTIONS. USE THIS PRODUCT CORRECTLY AND WITH CARE FOR THE PURPOSE FOR WHICH IT IS INTENDED. FAILURE TO DO SO MAY CAUSE DAMAGE AND/OR PERSONAL INJURY AND WILL INVALIDATE THE WARRANTY. PLEASE KEEP INSTRUCTIONS SAFE FOR FUTURE USE.

1. SAFETY INSTRUCTIONS

1.1 ELECTRICAL SAFETY.

WARNING! It is the user's responsibility to read, understand and comply with the following:

You must check all electrical equipment and appliances to ensure they are safe before using. **You must** inspect power supply leads, plugs and all electrical connections for wear and damage. **You must** ensure the risk of electric shock is minimised by the installation of appropriate safety devices. An RCCB (Residual Current Circuit Breaker) should be incorporated in the main distribution board. We also recommend that an RCD (Residual Current Device) is used with all electrical products. It is particularly important to use an RCD together with portable products that are plugged into an electrical supply not protected by an RCCB. If in doubt consult a qualified electrician. You may obtain a Residual Current Device by contacting your Sealey dealer. **You must** also read and understand the following instructions concerning electrical safety.

1.1.1 The **Electricity At Work Act 1989** requires all portable electrical appliances, if used on business premises, to be tested by a qualified electrician, using a Portable Appliance Tester (PAT), at least once a year.

1.1.2 The **Health & Safety at Work Act 1974** makes owners of electrical appliances responsible for the safe condition of the appliance and the safety of the appliance operator. **If in any doubt about electrical safety, contact a qualified electrician.**

1.1.3 Ensure the insulation on all cables and the product itself is safe before connecting to the mains power supply. See 1.1.1. & 1.1.2. above and use a Portable Appliance Tester (PAT).

1.1.4 Ensure that cables are always protected against short circuit and overload.

1.1.5 Regularly inspect power supply, leads, plugs for wear and damage and connections, to ensure that none are loose.

1.1.6 **Important:** Ensure the voltage marked on the product is the same as the electrical power supply to be used, and check that plugs are fitted with the correct capacity fuse. A 13 amp plug may require a fuse smaller than 13 amps for certain products (*subject to 1.1.10. below*), see fuse rating at right.

1.1.7 **DO NOT** pull power plugs from sockets by the power cable.

1.1.8 **DO NOT** use worn or damage leads, plugs or connections. Immediately replace or have repaired by a qualified electrician. A U.K. 3 pin plug with ASTA/BS approval is fitted. In case of damage, cut off and fit a new plug according to the following instructions (discard old plug safely). (UK only - see diagram at right).


Ensure the unit is correctly earthed via a three-pin plug.

a) Connect the **GREEN/YELLOW earth wire to the earth terminal 'E'**.

b) Connect the **BROWN live wire to live terminal 'L'**.

c) Connect the **BLUE neutral wire to the neutral terminal 'N'**.

After wiring, check that there are no bare wires, that all wires have been correctly connected, that the cable outer insulation extends beyond the cable restraint and that the restraint is tight.

Double insulated products are often fitted with live (BROWN) and neutral (BLUE) wires only. Double insulated products are always marked with this symbol . **To re-wire, connect the brown and blue wires as indicated above. DO NOT connect the brown or blue to the earth terminal.**

1.1.9 Some products require more than a 13 amp electrical supply. In such a case, **NO** plug will be fitted. **You must** contact a qualified electrician to ensure a 30 amp fused supply is available. We recommend that you discuss the installation of a industrial round pin plug and socket with your electrician.

1.1.10 **Cable extension reels.** When a cable extension reel is used it should be fully unwound before connection. A cable reel with an RCD fitted is recommended since any product which is plugged into the cable reel will be protected. The section of the cable on the cable reel is important. We recommend that at least 1.5mm² section cable but to be absolutely sure that the capacity of the cable reel is suitable for this product and for others that may be used in the other output sockets, we recommend the use of 2.5mm² section cable.

1.2 GENERAL SAFETY

WARNING! Disconnect the extractor from the mains power and ensure the impeller is at a complete standstill before attempting to change accessories, service or perform any maintenance.

✓ Maintain the extractor in good condition (use an authorised service agent).

✓ Replace or repair damaged parts. *Use recommended parts only. Non-authorized parts may be dangerous and will invalidate the warranty.*

✓ Locate the extractor in a suitable working area. Ensure the surface is flat and firm. Keep area clean and tidy and free from unrelated materials, and ensure there is adequate lighting.

✓ Keep the extractor clean for best and safest performance and check moving parts alignment regularly.

✓ Remove any tools from the extractor and the vicinity before turning it on.

WARNING! Wear approved safety eye protection, ear defenders, and gauntlets, and, if dust is generated, respiratory protection.

✓ Remove ill fitting clothing. Remove ties, watches, rings and other loose jewellery and contain long hair.

✓ Maintain correct balance and footing. Ensure the floor is not slippery and wear non-slip shoes.

✓ Keep children and unauthorised persons away from the working area.

X **DO NOT** use the extractor for any purpose other than that for which it is designed. **DO NOT** pick up metal, glass or water.

X **DO NOT** allow untrained persons to operate the extractor.

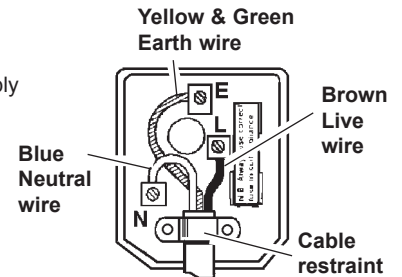
X **DO NOT** get the unit wet or use in damp or wet locations or areas where there is condensation.

WARNING! DO NOT use extractor where there are flammable liquids, solids or gases such as petrol, paint solvents, waste rags etc.

X **DO NOT** operate the extractor if any parts are missing or damaged as this may cause failure and/or personal injury.

X **DO NOT** operate the extractor when you are tired or under the influence of alcohol, drugs or intoxicating medication.

✓ When not in use switch the extractor off and isolate from the power supply.



FUSE RATING

THIS PRODUCT MUST BE FITTED WITH A
13 AMP FUSE

2. APPLICATION & SPECIFICATION

The SM47.V3 is designed to extract dust, saw dust and other fine debris from wood machining. It **should not** be used to extract metallic debris, glass or water.

Specification:

Capacity	700cfm
Impeller diameter	250mm
Collector hose diameter	125mm
Intake hose diameter	2 x 100mm
Intake hose maximum length	2.5m
Motor	230V, 50Hz, 1490W
Weight	46kg
Noise level	<87dBA

3. CONTENTS & ASSEMBLY

Unpack the extractor components and check that all are present and undamaged. In case of shortage or damage please contact the supplier.

Description:

- | | | |
|-----------------------------|---------------------------------|---------------------------|
| • Collector Body with Motor | • Filter/Collector Bag x 2 | • Collector |
| • Seal | • Support, Collector x 2 | • Support Rod, Filter Bag |
| • Base plate | • Screws, Nuts, Washers (1 bag) | • Castors x 4 |
| • Hose | • Inlet | • Outlet |
| • Hose Clamp x 2 | • Bag Clamp x 2 | • Inlet Hose (2.5m) |

Note: Numbers in brackets are the item numbers on the parts diagram and in the parts list.

- 3.1** Attach the four castors (1) to the underside of the base (3) using screws (23), washers (16) and nuts (19). Support base (3) on battens, or similar, raising castors clear of floor to give stability for the following assembly tasks.
- 3.2** With screws (6) and washers (4) attach motor base (5) to base (3).
- 3.3** Attach motor (8) to motor base (5), so that collector body is positioned as shown in parts diagram, with screws (6) and washers (4).
- 3.4** Attach fan housing (38) feet to base plate (3) with screws (6) and washers (4).
- 3.5** Install outlet (30) to fan housing (38) using packing (29), screws (15), washers (16) and nuts (19).
- 3.6** Attach collector supports (37) to base with screws (12) and washers (4) and to collector (33) with screws (6) and washers (4). Note that upper bag support (13) is fitted to the collector (33) with the same screws as the middle support (37).
- 3.7** Fit upper (filter) bag (35) over upper bag flange on collector (33) and secure by tightening built-in strap. Hook loop on end of bag (55) over support arm (13). Fit second (collector) bag (36) to lower bag flange on collector.
- Note:** Bag clamps (34) are provided and may be used for additional bag security.
- 3.8** Install hose (32) between outlet (30) and collector (33) and retain with hose clamps (31).
- 3.9** Push-fit inlet (24) to inlet cover (25).

4. OPERATING INSTRUCTIONS

- WARNING! Before operating the extractor ensure that you read, understand and apply the safety instructions in Section 1.**
- 4.1** Confirm that supply voltage matches the voltage shown on the motor data plate and that the motor switch (9) is 'Off'.
- 4.2** Connect extractor hose (39) to the inlet (24) and attach other end to extractor point on equipment. **If only one extractor hose is to be used ensure that the unused inlet is closed with the cap provided.**
- WARNING! DO NOT operate extractor without the hose(s) attached.**
- 4.3** Plug into mains supply and press motor switch 'On'.
- 4.4** Ensure that the lower bag is emptied of dust and chips on a regular basis and is not allowed to become full.
- Note:** Fitting a reducer to the extraction hose will reduce the volume of dust extracted.
- WARNING!** This unit is not suitable to be used to extract dust via a piped system.

5. DECLARATION OF CONFORMITY

Declaration of Conformity We, the sole importer into the UK, declare that the product listed here is in conformity with the following standards and directives.

**DUST & CHIP EXTRACTOR
Model SM47.V3**

2006/95/EC Low Voltage Directive
2004/108/EC EMC Directive
2006/42/EC Machinery Directive
93/68/EEC CE Marking Directive



Signed by Mark Sweetman

16th March 2009

The construction file for this product is held by the Manufacturer and may be inspected, by a national authority, upon request to Jack Sealey Ltd.

For Jack Sealey Ltd. Sole importer into the UK of Sealey Quality Machinery.

NOTE: It is our policy to continually improve products and as such we reserve the right to alter data, specifications and component parts without prior notice.

IMPORTANT: No liability is accepted for incorrect use of this product.

WARRANTY: Guarantee is 12 months from purchase date, proof of which will be required for any claim.

INFORMATION: For a copy of our catalogue and latest promotions call us on 01284 757525 and leave your full name, address and postcode.

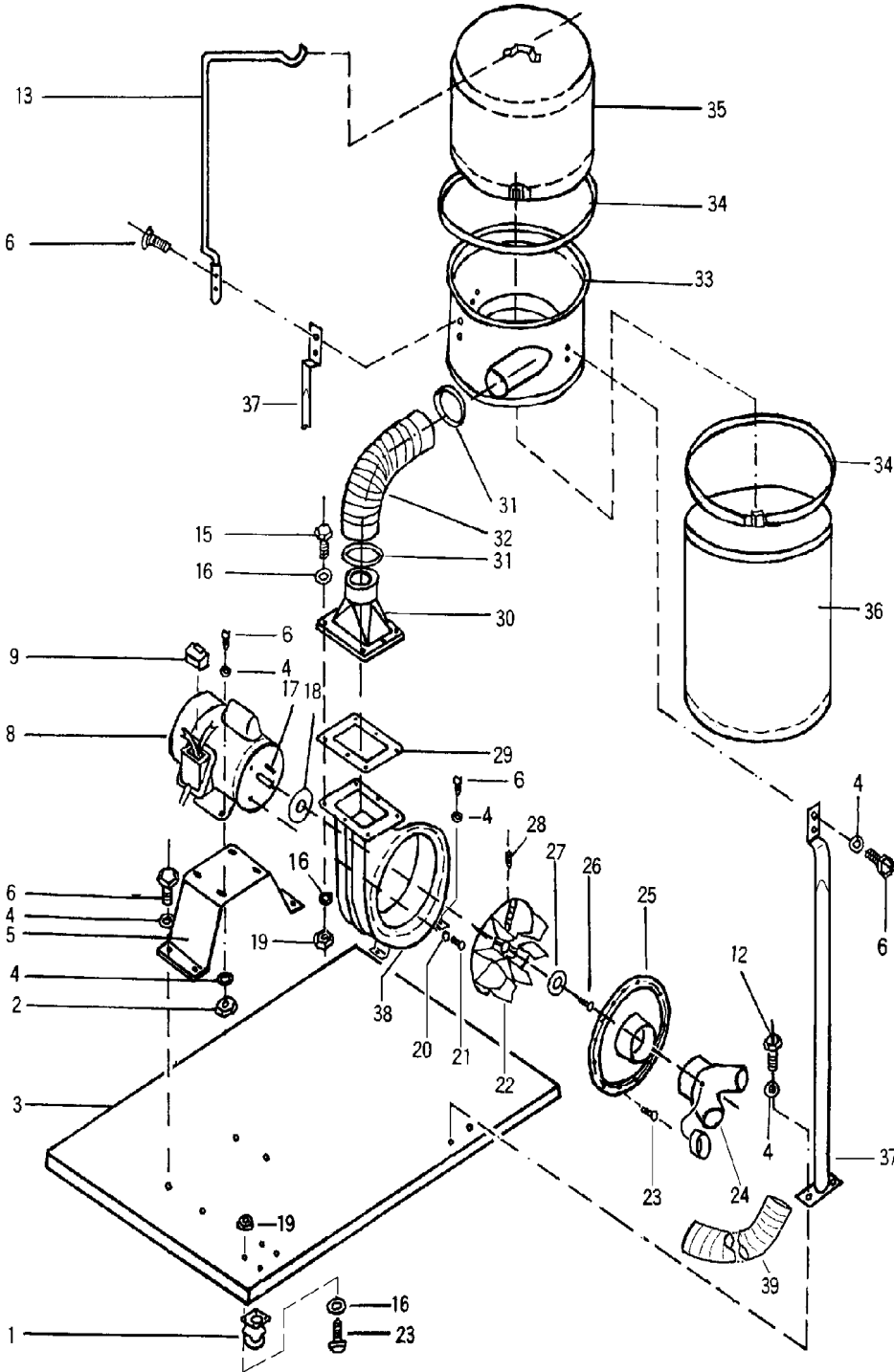


Sole UK Distributor
Sealey Group,
Bury St. Edmunds, Suffolk.

01284 757500
01284 703534

www.sealey.co.uk
 sales@sealey.co.uk

Issue Date: 130606
Issue No: 3



Item	Part No.	Description
1	SM47C/01	Castor
2	SM47C/02	Nut
3	SM47C.V3-03	Base Plate (BLUE)
4	SM47C/04	Washer
5	SM47C.V3-05	Motor Base (BLUE)
6	SM47C/06	Hex. Screw
8	SM47C/08	Motor
9	SM47C/09	Switch
12	SM47C/12	Hex. Screw
13	SM47C/13	Support, Upper Bag
15	SM47C/15	Hex. Screw
16	SM47C/16	Washer
17	SM47C/17	Key
18	SM47C/18	Spacer
19	SM47C/19	Nut
20	SM47C/20	Washer
21	SM47C/21	Hex. Screw
22	SM47C/22	Turbo Fan
23	SM47C/23	Hex. Screw
24	SM47C/24	Inlet
25	SM47C/25	Inlet Cover
26	SM47C/26	Hex. Screw
27	SM47C/27	Washer
28	SM47C/28	Hex. Screw
29	SM47C/29	Packing
30	SM47C/30	Outlet
31	SM47C/31	Hose Clamp
32	SM47C/32	Hose
33	SM47C.V3-33	Collector (BLUE)
34	SM47C/34	Bag Clamp
35	SM47C/35	Bag, Filter
36	SM47C/36	Bag, Collector
37	SM47C/37	Support, Collector
38	SM47C.V3-38	Fan Housing (BLUE)
39	SM47C/39	Inlet Hose

NOTE: It is our policy to continually improve products and as such we reserve the right to alter data, specifications and component parts without prior notice.
IMPORTANT: No liability is accepted for incorrect use of this product.
WARRANTY: Guarantee is 12 months from purchase date, proof of which will be required for any claim.
INFORMATION: For a copy of our catalogue and latest promotions call us on 01284 757525 and leave your full name, address and postcode.