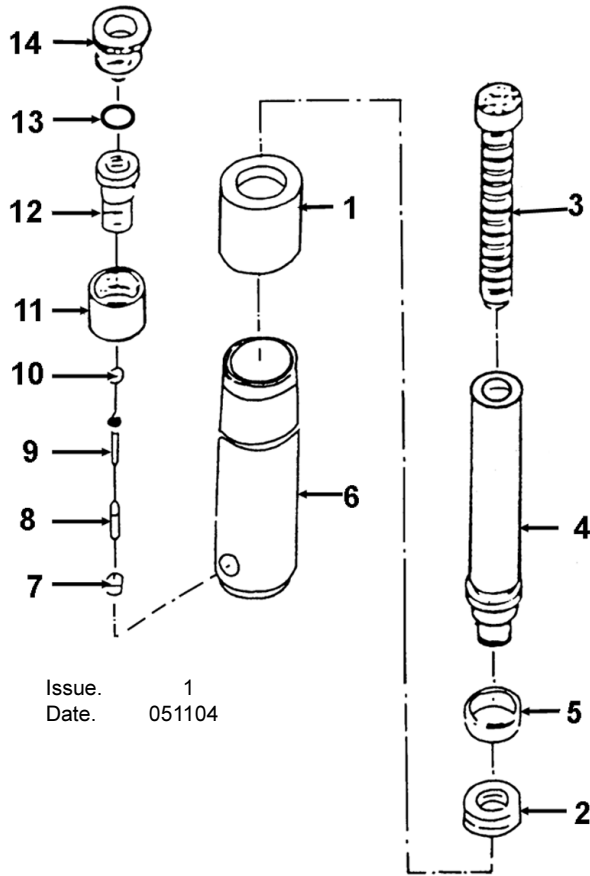


## PARTS LIST: SPECIALIST PUSH AND PULL RAM SET Model: RE97XCKIT

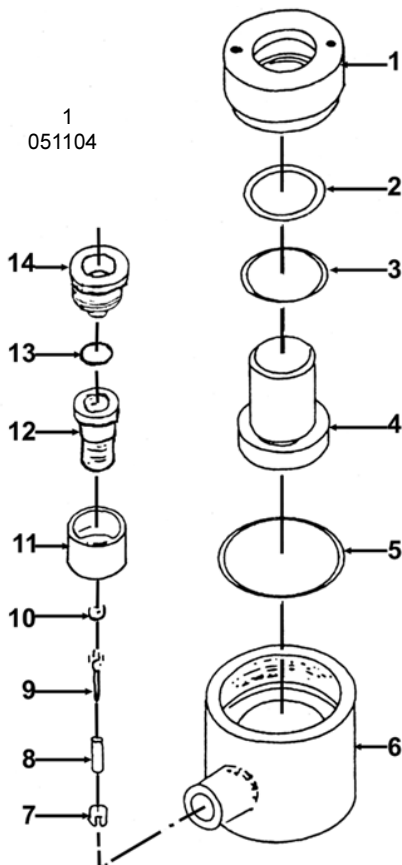


Issue. 1  
Date. 051104

### RE97XC02

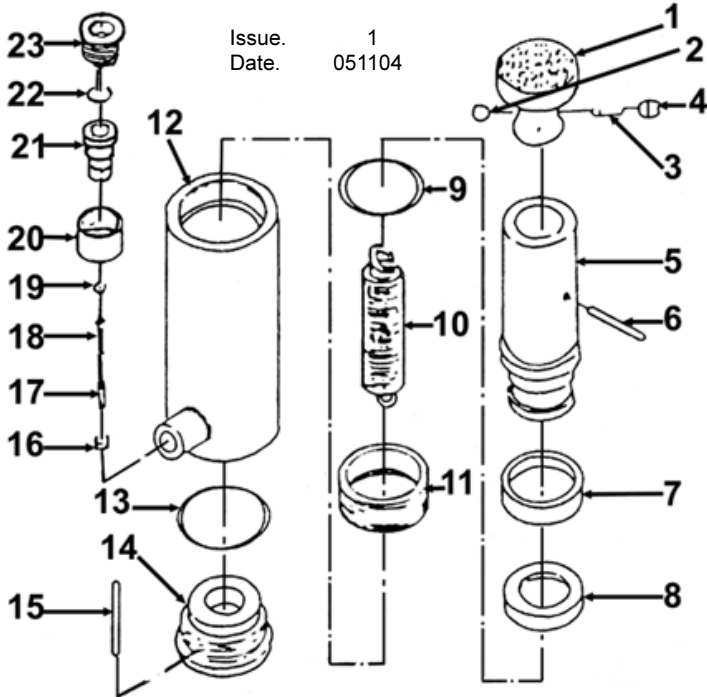
ITEM	PART NO	DESCRIPTION
1	RE97XC02.01	NUT
2	RE97XC02.02	SEAL RING
3	RE97XC02.03	SCREW
4	RE97XC02.04	RAM
5	RE97XC02.05	O-RING
6	RE97XC02.06	CYLINDER
7	RE97XC02.07	SPINDLE SCREW
8	RE97XC02.08	SPRING
9	RE97XC02.09	SPINDLE
10	RE97XC02.10	OIL RING
11	RE97XC02.11	CONNECTION NUT
12	RE97XC02.12	HOSE COUPLER
13	RE97XC02.13	O-RING
14	RE97XC02.14	DUST CAP

Issue. 1  
Date. 051104



### RE97XC04

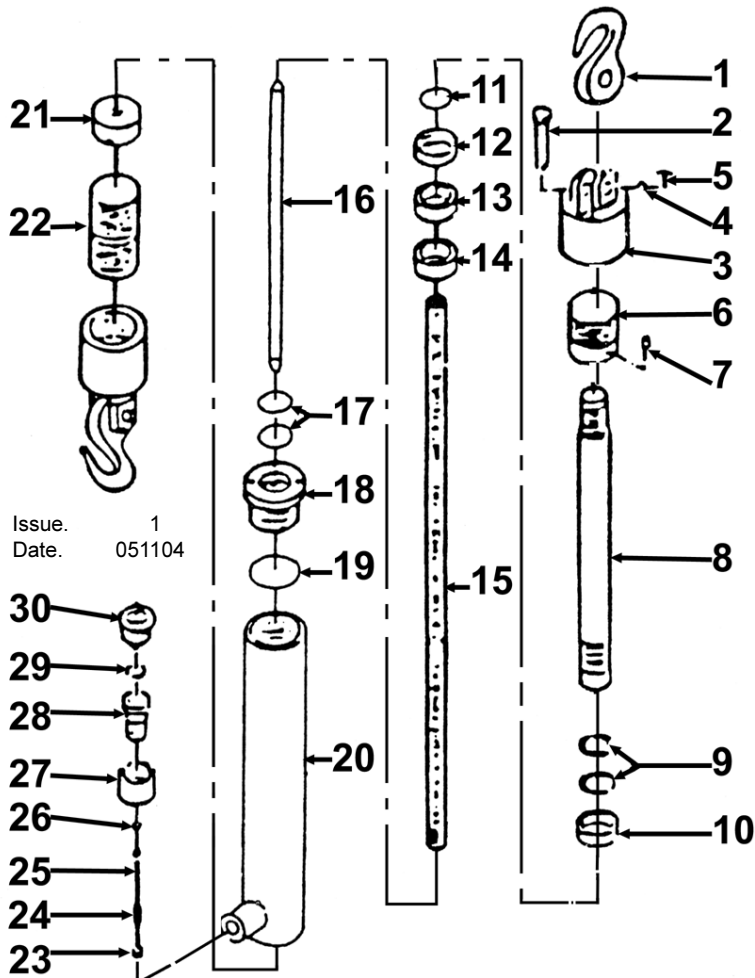
ITEM	PART NO	DESCRIPTION
1	RE97XC04.01	NUT
2	RE97XC04.02	SEAL RING
3	RE97XC04.03	O-RING
4	RE97XC04.04	RAM
5	RE97XC04.05	O-RING
6	RE97XC04.06	CYLINDER
7	RE97XC04.07	SPINDLE SCREW
8	RE97XC04.08	SPRING
9	RE97XC04.09	SPINDLE
10	RE97XC04.10	OIL RING
11	RE97XC04.11	CONNECTION NUT
12	RE97XC04.12	HOSE COUPLER
13	RE97XC04.13	O-RING
14	RE97XC04.14	DUST CAP



Issue. 1  
Date. 051104

### RE97XC10

ITEM	PART NO	DESCRIPTION
1	RE97XC10.01	RAMMER
2	RE97XC10.02	STEEL BALL
3	RE97XC10.03	SPRING
4	RE97XC10.04	SCREW
5	RE97XC10.05	RAM
6	RE97XC10.06	PIN
7	RE97XC10.07	GUIDING COLLAR
8	RE97XC10.08	CAP (NYLON)
9	RE97XC10.09	O-RING
10	RE97XC10.10	SPRING
11	RE97XC10.11	NUT
12	RE97XC10.12	CYLINDER
13	RE97XC10.13	O-RING
14	RE97XC10.14	COVER NUT
15	RE97XC10.15	PIN
16	RE97XC10.16	SPINDLE SCREW
17	RE97XC10.17	SPRING
18	RE97XC10.18	SPINDLE
19	RE97XC10.19	OIL RING
20	RE97XC10.20	CONNECTION NUT
21	RE97XC10.21	HOSE COUPLER
22	RE97XC10.22	O RING
23	RE97XC10.23	DUST CAP



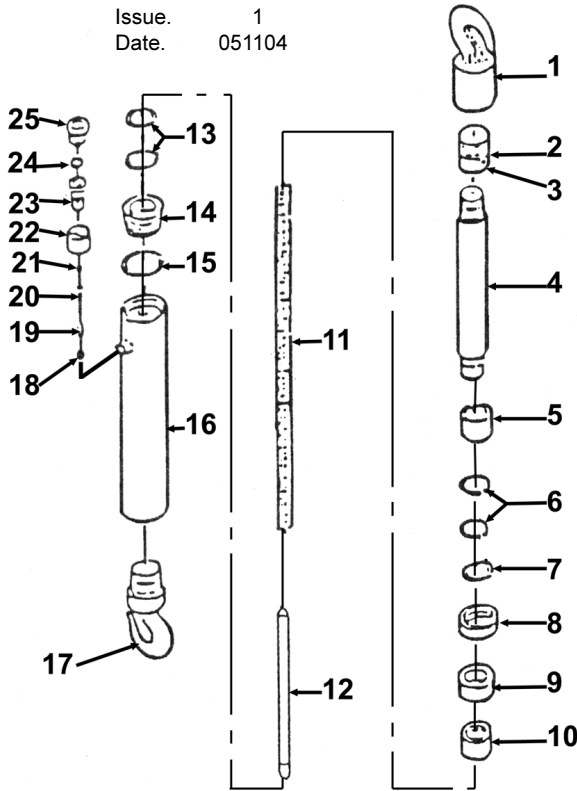
Issue. 1  
Date. 051104

### RE97XM02

ITEM	PART NO	DESCRIPTION
1	RE97XM02.01	HOOK
2	RE97XM02.02	AXLE PIN
3	RE97XM02.03	COUPLING FORG
4	RE97XM02.04	COLLAR
5	RE97XM02.05	SPLIT PIN
6	RE97XM02.06	NUT
7	RE97XM02.07	SCREW
8	RE97XM02.08	RAM
9	RE97XM02.09	CLOSING RING
10	RE97XM02.10	CARRIER RING
11	RE97XM02.11	O-RING
12	RE97XM02.12	U-TYPE PACKING
13	RE97XM02.13	GUIDING COLLAR
14	RE97XM02.14	NUT
15	RE97XM02.15	SPRING
16	RE97XM02.16	SHAFT
17	RE97XM02.17	O-RING
18	RE97XM02.18	NUT
19	RE97XM02.19	O-RING
20	RE97XM02.20	CYLINDER
21	RE97XM02.21	NUT
22	RE97XM02.22	SCREW COUPLER
23	RE97XM02.23	SPINDLE SCREW
24	RE97XM02.24	SPRING
25	RE97XM02.25	SPINDLE
26	RE97XM02.26	OIL RING
27	RE97XM02.27	CONNECTION NUT
28	RE97XM02.28	HOSE COUPLER
29	RE97XM02.29	O-RING
30	RE97XM02.30	DUST CAP

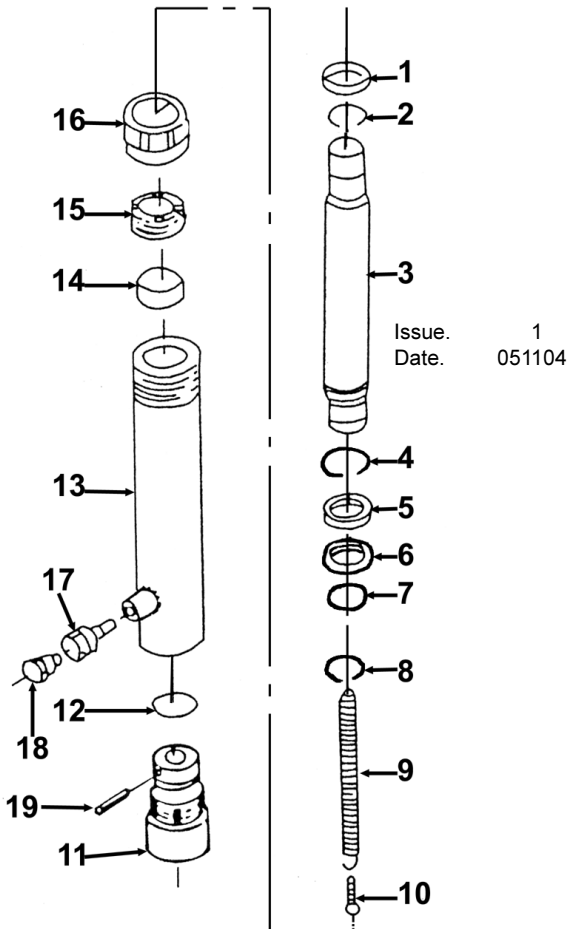
## PARTS LIST: SPECIALIST PUSH AND PULL RAM SET Model: RE97XCKIT

Issue. 1  
Date. 051104



### RE97XM05

ITEM	PART NO	DESCRIPTION
1	RE97XM05.01	UP-HOOK
2	RE97XM05.02	NUT
3	RE97XM05.03	HEX SCREW
4	RE97XM05.04	RAM
5	RE97XM05.05	BUSHING
6	RE97XM05.06	CLOSING RING
7	RE97XM05.07	O-RING
8	RE97XM05.08	U-TYPE PACKING
9	RE97XM05.09	COLLAR
10	RE97XM05.10	NUT
11	RE97XM05.11	SPRING
12	RE97XM05.12	SHAFT
13	RE97XM05.13	O-RING
14	RE97XM05.14	NUT
15	RE97XM05.15	O-RING
16	RE97XM05.16	CYLINDER
17	RE97XM05.17	DOWN HOOK
18	RE97XM05.18	SPINDLE SCREW
19	RE97XM05.19	SPRING
20	RE97XM05.20	SPINDLE
21	RE97XM05.21	OIL RING
22	RE97XM05.22	CONNECTION NUT
23	RE97XM05.23	HOSE COUPLER
24	RE97XM05.24	O-RING
25	RE97XM05.25	DUST CAP

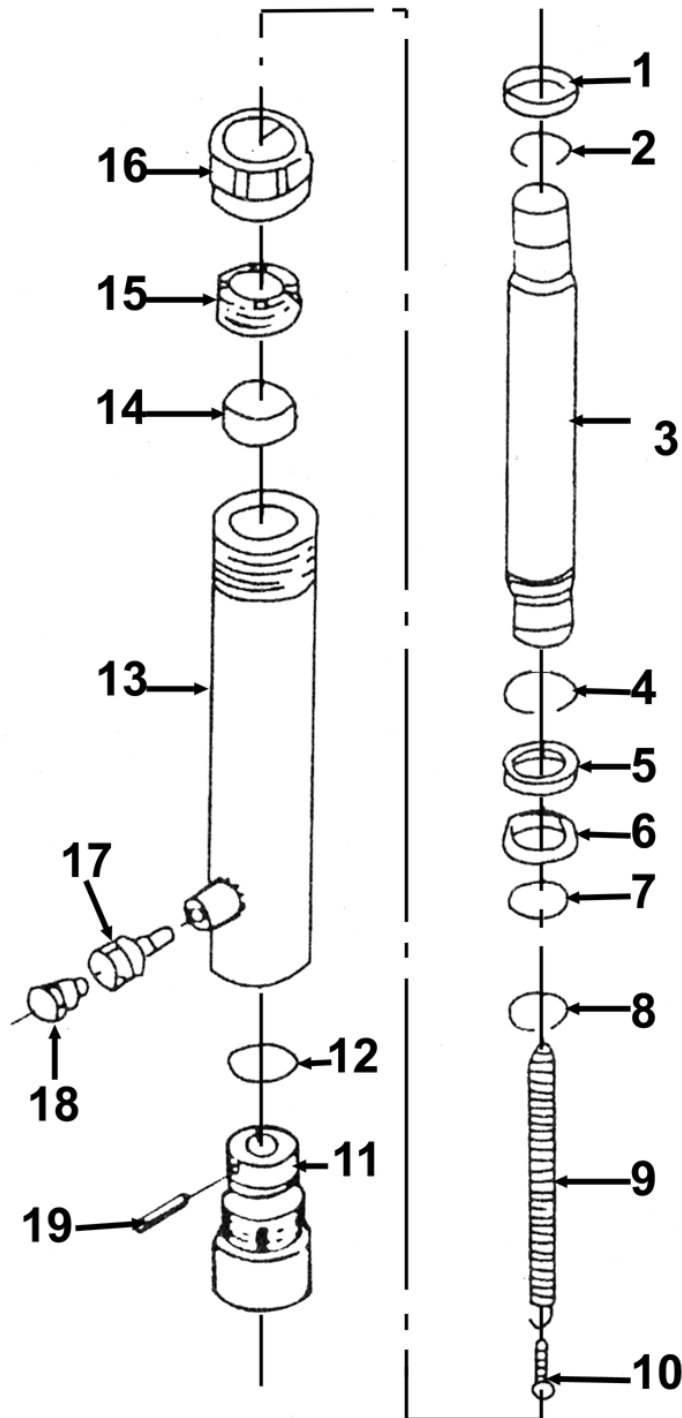


Issue. 1  
Date. 051104

### RE97XM04

ITEM	PART NO	DESCRIPTION
1	RE97XM04.01	COLLAR
2	RE97XM04.02	SNAP RING
3	RE97XM04.03	PISTON ROD
4	RE97XM04.04	SNAP RING
5	RE97XM04.05	BUSHING
6	RE97XM04.06	"U" CUP
7	RE97XM04.07	O-RING
8	RE97XM04.08	SNAP RING
9	RE97XM04.09	SPRING
10	RE97XM04.10	SCREW
11	RE97XM04.11	CYLINDER BASE
12	RE97XM04.12	O-RING
13	RE97XM04.13	CYLINDER
14	RE97XM04.14	CYLINDER COLLAR
15	RE97XM04.15	CYLINDER SCREW
16	RE97XM04.16	THREAD PROTECTOR
17	RE97XM04.17	QUICK COUPLER
18	RE97XM04.18	DUST COVER
19	RE97XM04.19	SPRING PIN

Version No:- 2  
Date Issued:- 040102



Issue. 1  
Date. 051104

**RE97XM10**

ITEM	PART NO	DESCRIPTION
1	RE97XM10.01	COLLAR
2	RE97XM10.02	SNAP RING
3	RE97XM10.03	PISTON ROD
4	RE97XM10.04	SNAP RING
5	RE97XM10.05	BUSHING
6	RE97XM10.06	"U" CUP
7	RE97XM10.07	O-RING
8	RE97XM10.08	SNAP RING
9	RE97XM10.09	SPRING
10	RE97XM10.10	SCREW
11	RE97XM10.11	CYLINDER BASE
12	RE97XM10.12	O-RING
13	RE97XM10.13	CYLINDER
14	RE97XM10.14	CYLINDER COLLAR
15	RE97XM10.15	CYLINDER SCREW
16	RE97XM10.16	THREAD PROTECTOR
17	RE97XM10.17	QUICK COUPLER
18	RE97XM10.18	DUST COVER
19	RE97XM10.19	SPRING PIN