

Thank you for purchasing a Sealey product. Manufactured to a high standard this product will, if used according to these instructions and properly maintained, give you years of trouble free performance.

IMPORTANT: PLEASE READ THESE INSTRUCTIONS CAREFULLY. NOTE THE SAFE OPERATIONAL REQUIREMENTS, WARNINGS AND CAUTIONS. USE THIS PRODUCT CORRECTLY AND WITH CARE FOR THE PURPOSE FOR WHICH IT IS INTENDED. FAILURE TO DO SO MAY CAUSE DAMAGE AND/OR PERSONAL INJURY AND WILL INVALIDATE THE WARRANTY. PLEASE KEEP INSTRUCTIONS SAFE FOR FUTURE USE.

1. SAFETY INSTRUCTIONS

- p **WARNING!** Turn off, or disconnect from, air supply before servicing or performing any maintenance *and when unit is not in use.*
- p **WARNING!** This shot blasting kit will generate gritty dust which could damage surface finishes and contaminate moving parts. It is recommended that shot blasting be carried out in a dedicated room free from unrelated materials, and where there is adequate lighting. Where this is not possible, consideration should be given to covering exposed surfaces and masking moving parts as necessary.
- p **WARNING!** Wear approved ear, eye, hand and respiratory protection when operating the blaster. A full range of personal safety equipment is available from your Sealey dealer.
- 3 Maintain correct balance and ensure firm footing.
- 3 Spillages of abrasive material, which may be slippery, must be cleaned up immediately to avoid injury.
- 3 Maintain the kit in good condition (use an authorised service agent).
- 3 Replace or repair damaged parts. Use recommended parts only. Unauthorised parts may be dangerous and will invalidate the warranty.
- 3 Keep the unit clean for best and safest performance.
- 3 Remove ill fitting clothing. Remove ties, watches, rings, and other loose jewellery, and contain long hair.
- 3 Always keep the blast nozzle directed at the workpiece.
- 3 If a failure or malfunction occurs **immediately disconnect from air supply.**
- 3 Keep all other persons away from the working area. Contact with high pressure blast or inhaling the dust generated is dangerous. If other personnel are required in the vicinity of the shot blasting then they must wear protective equipment similar to the operator's.
- 7 **DO NOT** use the kit for any purpose other than that for which it is designed.
- 7 **DO NOT** operate the kit if any parts are missing or damaged as this may cause failure and/or personal injury.
- 7 **DO NOT** use any abrasive which contains free silica, as indicated in the Health & Safety Guidance Note EH59 (available from HMSO).
- 7 **DO NOT** attempt to clear a blocked nozzle while the unit is pressurised.
- 7 **DO NOT** allow untrained persons to operate the blaster.
- 7 **DO NOT** get the kit wet or use in damp or wet locations or areas where there is condensation.
- 7 **DO NOT** leave the kit operating unattended.
- 7 **DO NOT** operate the kit when you are tired, under the influence of alcohol, drugs or intoxicating medication.
- 7 **DO NOT** stand on the blaster.
- 7 **DO NOT** direct air from the air hose at yourself or others.
- 7 **DO NOT** operate system with air supply exceeding 120 psi (8bar).

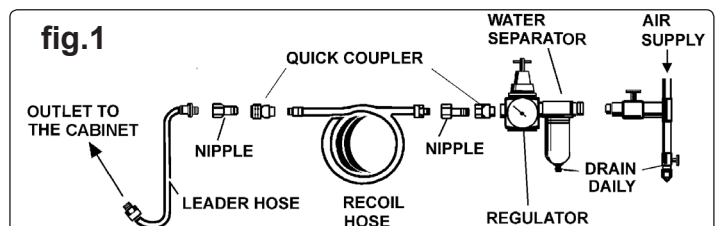


2. INTRODUCTION & SPECIFICATIONS

- 2.1. **Introduction**
The SB993.V2 is suitable for stripping rust and paint from wheels, chassis, panels and other corroded or painted surfaces.
- 2.2. **Specifications**
Air Pressure: 50-120psi Air Consumption: 3.5cfm @ 50psi Max. Abrasive Capacity: 22kg
- 2.3. **Abrasives**
There are two types of abrasive grit:
 - a) Expendable - Use once and dispose of, recommended for large surfaces - Copper Slag and Olivene (silica-free sand). We recommend Sealey Blasting Grit, part number B/25KG.
 - b) Re-usable - more expensive and recommended for cabinets - Glass Beads and Fused Alumina.

3. AIR SUPPLY

- p **WARNING!** Ensure the air supply does not exceed 120psi (8bar) while operating the unit. Too high an air pressure will shorten the life of the unit due to excessive wear and may cause damage and/or personal injury.
- 3.1. Ensure the gun trigger is in the 'Off' position before connecting to the air supply.
- 3.2. Where possible the compressor should be sited in a separate room with the connecting airline kept as short as possible. The compressor should have an air filter and water separator (fig.1).
- 3.3. Drain the compressor air tank daily. Water in the air line will damage the unit.
- 3.4. The recommended hook-up procedure is shown in fig.1.
- 3.5. The minimum hose diameter should be 1/4" I.D. and fittings must have the same inside dimensions.
- 3.6. Use correct hoses and fittings. **DO NOT** use quick change couplings as they add weight and can cause failure due to vibration. Add a leader hose and connect coupling between this and supply hose.
- 3.7. Keep hoses away from heat, oil and sharp edges. Check hoses for wear and ensure that all connections are secure.



4. ASSEMBLY

- 4.1. Fit the set screw (fig.2.1) through the hole in cabinet and secure using the lock nut (fig.2.2).
- 4.2. Fit one end of the hose (fig.2.3) onto the set screw ensuring it is as far onto the set screw as possible and secured with a hose clip as shown in fig.3.
- 4.3. Attach the other end of the hose to the gun and secure with a hose clip (fig.2.4).
- 4.4. Ensure all fittings have been correctly tightened and the kit is ready to use.

5. OPERATION

- p **WARNING! Ensure that you read, understand and apply the safety instructions in Section 1 before use.**
 - p **WARNING! Wear approved ear, eye, hand and respiratory protection when operating the blaster.**
 - p **WARNING! Ensure the air supply does not exceed 120psi (8bar) while operating the unit.**
- 5.1. Fill the cabinet with the required abrasive, checking to ensure it is clean and dry.
 - 5.2. Attach an airline to the gun and press the trigger.
 - 5.3. Before blasting unfamiliar material, spot test to ensure that damage/pitting will not occur to the material.
 - 5.4. Use even passes of the blaster to remove material such as rust, body filler or other soft materials. Do not blast in any one area for more than a few seconds at a time.

6. MAINTENANCE

- p **WARNING! Disconnect from the air supply before performing any maintenance!**
 - p **WARNING! Wear approved ear, eye, hand and respiratory protection when performing any maintenance.**
 - p **WARNING! Ensure the air supply does not exceed 120psi (8bar) while operating the unit.**
- 6.1. **Changing the blasting medium.**
 - 6.1.1. It is not necessary to remove the blasting medium from the cabinet after every use, however it must be cleaned out when a different blasting medium is to be used.
 - 6.1.2. Tip the contents of the hopper into a suitable container. Remove the gun from the hose by loosening the hose clip.
 - 6.1.3. Use a low pressure air line (10 psi) to blow through the hose.
 - 6.1.4. When the cabinet is clean, refit the gun to the hose and tighten the hose clip.
 - 6.2. **Gun maintenance.**
 - 6.2.1. Remove the gun from the hose by loosening the hose clip.
 - 6.2.2. Lubricate the gun with a few drops of good grade air tool oil, such as Sealey ATO500 or ATO1000, dripped into the air inlet.
 - 6.2.3. Lubricate the plunger, between the trigger and the gun handle.
 - 6.2.4. Refit the gun to the hose and tighten the hose clip.
 - 6.2.5. Attach an airline to the gun and operate the blaster for a few seconds.

fig.2

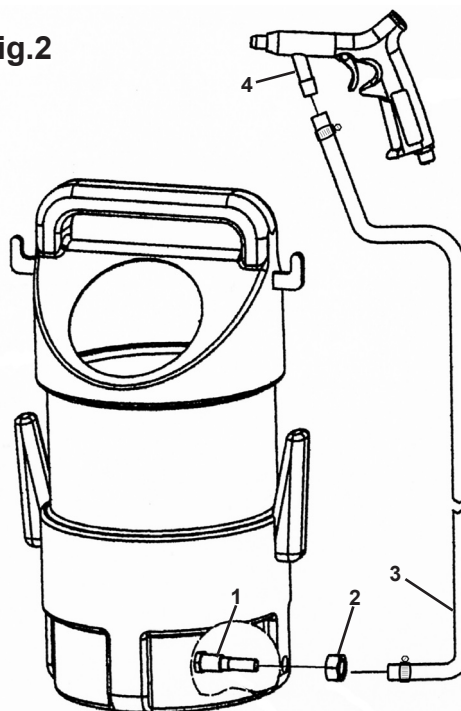
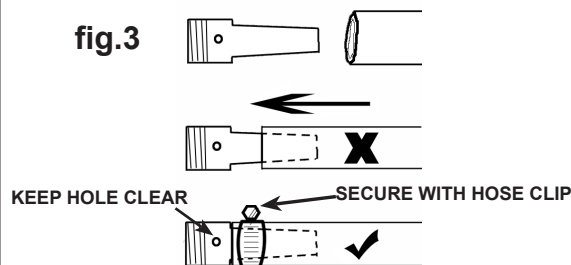


fig.3



Declaration of Conformity We, the sole importer into the UK, declare that the product listed here is in conformity with the following standards and directives.

**SHOT BLASTING KIT
SB993.V2**

97/23/EC Pressure Equipment Directive
93/68/EEC CE Marking Directive



The construction file for this product is held by the Manufacturer and may be inspected, by a national authority, upon request to Jack Sealey Ltd.

Signed by Mark Sweetman

Date 1st September 2009

For Jack Sealey Ltd. Sole importer into the UK of Sealey Power Products.

NOTE: It is our policy to continually improve products and as such we reserve the right to alter data, specifications and component parts without prior notice. **IMPORTANT:** No responsibility is accepted for the incorrect use of this product.

WARRANTY: Guarantee is 12 months from purchase date, proof of which will be required for any claim. **INFORMATION:** For a copy of our latest catalogue and promotions call us on 01284 757525 and leave your name and address, including postcode.



Sole UK Distributor
Sealey Group,
Bury St. Edmunds, Suffolk.

01284 757500
01284 703534



www.sealey.co.uk
sales@sealey.co.uk