

Thank you for purchasing a Sealey product. Manufactured to a high standard this product will, if used according to these instructions and properly maintained, give you years of trouble free performance.



IMPORTANT: PLEASE READ THESE INSTRUCTIONS CAREFULLY. NOTE THE SAFE OPERATIONAL REQUIREMENTS, WARNINGS & CAUTIONS. USE THE PRODUCT CORRECTLY AND WITH CARE FOR THE PURPOSE FOR WHICH IT IS INTENDED. FAILURE TO DO SO MAY CAUSE DAMAGE AND/OR PERSONAL INJURY, AND WILL INVALIDATE THE WARRANTY. PLEASE KEEP INSTRUCTIONS SAFE FOR FUTURE USE.

1. SAFETY INSTRUCTIONS

- ✓ Familiarise yourself with the application and limitations of the air hose reel, as well as the specific hazards.
- ❑ **WARNING!** Disconnect the air hose reel from the air supply before changing accessories, servicing or performing any maintenance.
- ✓ Maintain the air hose reel in good condition (use an authorised service agent).
- ✓ Replace or repair damaged parts. *Use recommended parts only. Unauthorised parts may be dangerous and will invalidate the warranty.*
- ✓ Locate and fix the air hose reel in a suitable working area. Do not position the hose in direct sunlight, or in areas of extreme heat or cold. Ensure there is adequate lighting.
- ❑ **WARNING!** Ensure maximum air pressure is not exceeded.
- ✓ Keep extended air hose away from heat, oil and sharp edges. Check hose for wear before each use, and ensure all connections are secure.
- ✓ Keep the unwound air hose at a safe distance from the working area and free from wet, damp or oily surfaces.
- ❑ **WARNING!** Always wear approved eye or face protection when operating the air hose reel.
- ✓ Maintain correct balance and footing. Ensure the floor is not slippery and wear non-slip shoes.
- ✓ Remove ill fitting clothing. Remove ties, watches, rings, and other loose jewellery and contain and/or tie back long hair.
- ✓ Keep children and unauthorised persons away from the working area.
- ✗ **DO NOT** operate the air hose reel if any parts are damaged or missing as this may cause failure and/or personal injury.
- ✗ **DO NOT** exceed the rated capacity of the air hose reel.
- ✗ **DO NOT** use the air hose reel for any purpose other than that for which it is designed.
- ✗ **DO NOT** operate the air hose reel when you are tired or under the influence of alcohol, drugs or intoxicating medication.
- ✗ **DO NOT** direct air from the air hose at yourself or others.
- ✓ When not in use ensure the air supply is turned off and tools disconnected. Disconnect from the air supply and retract the hose into case.
- ❑ **WARNING! DO NOT** dismantle the hose reel casing, or attempt to remove the screws and covers on the sides. To do so may result in damage to the appliance and/or personal injury and will invalidate the warranty. Internal maintenance, which will require the opening of the casing, must only be undertaken by an authorised service agent.

2. INTRODUCTION & SPECIFICATIONS

Tough, impact resistant, durable, composite case with wall/ceiling mounting bracket. SA88.V5 fitted with 20mtr high quality TPR hose with 3/8" BSP outlet. Solid brass full flow 3/8" BSP inlet swivel connector. SA8812 fitted with 15mtr high quality TPR hose with 1/2" BSP outlet. Solid brass full flow 1/2" BSP inlet swivel connector.

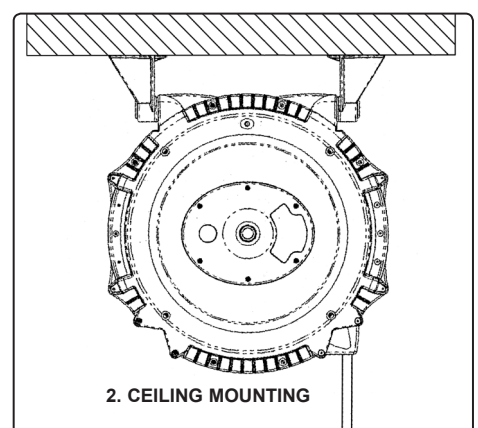
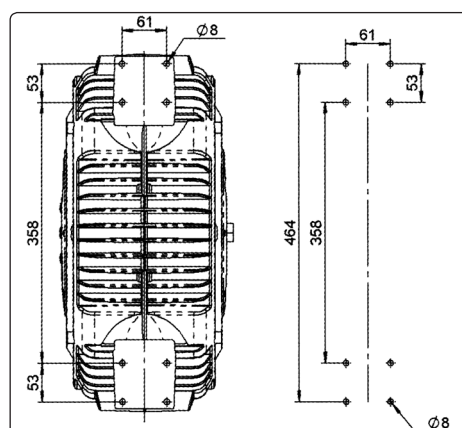
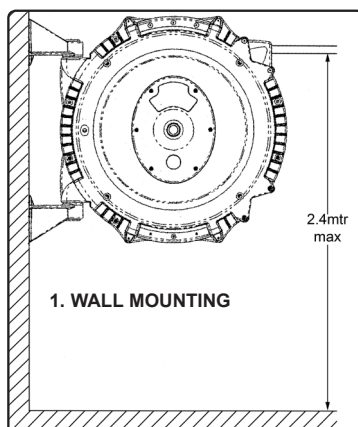
| | | |
|---------------------|----------------------|-----------------|
| MODEL: | SA88.V5 | SA8812 |
| Hose Length: | 20m | 15m |
| Hose Size (ID): | 10mm | 13mm |
| Max. Pressure: | 250psi | 250psi |
| Hose Type: | TPR | TPR |
| Inlet - Outlet: | 3/8" - 3/8" BSP | 1/2" - 1/2" BSP |

3. INSTALLATION

- ❑ **WARNING! Ensure the hose is disconnected from the air supply. Do not position the reel in areas of extreme heat or cold. NOTE: Prolonged exposure to direct and intense sunlight may affect the integrity of the polymers within the moulded components. Avoid, if possible, positioning the reel in direct sunlight.**

3.1 MOUNTING THE REEL

- 3.1.1 The reel should only be mounted in one of two positions shown below. The brackets supplied will enable mounting the reel in either position.
- 3.1.2 Ensure the wall, ceiling or other structure, to which the air hose reel is to be fixed, is of sound construction and that the securing points will hold the working strain of the hose when in use.
- 3.1.3 Using the mounting holes template (cut from box lid), drill appropriate holes for the desired mounting or see diagram below.
- 3.1.4 When wall mounted, the hose exit point should not be more than 2.4m above floor level. Above this height ceiling mounting is recommended. See diagrams below.
- 3.1.5 Screw fix one bracket to the chosen surface using fixings that are appropriate to the substrate and strong enough to carry the weight of the reel plus the working strain exerted on it when in use. Position the hose reel onto the first bracket, then proceed to fix the second bracket into place and ensure the reel is secure.
- 3.1.6 Connect the air supply to the reel using a flexible hose sufficiently long to allow the reel to swivel 180° from side to side.



4. OPERATION

- 4.1 Pull out the hose to the required length. A clicking noise will be heard every half revolution of the drum.
- 4.2 To latch the reel, allow the reel to slowly retract after hearing the 1st, 2nd or 3rd click.
- 4.3 To unlatch the reel, slowly pull out the hose until the clicking noise stops, then let the hose slowly retract until the hose stopper rests against the reel mouth.
- NOTE: Remove tools from the hose when they are no longer required for use. The reel is not designed to retract with tools attached to it nor should heavy air tools or tools in general be left hanging on the hose. Tool balancers should be used with heavy air tools.
- WARNING! To prevent injury or damage occurring, do not let go of the hose during rewinding.**

5. MAINTENANCE & STORAGE

- WARNING! Before carrying out routine maintenance or inspection, vent any pressure remaining in the hose.**
- 5.1 The hose reel does not require special maintenance as it is lubricated for life. To ensure reliable operation, clean the hose and casing regularly. **DO NOT** spray or wet the product, but clean with a cloth and warm water. **DO NOT** use solvents or detergents, as these may permanently damage the plastic.
- 5.2 There are no user serviceable parts. All maintenance and repairs which require the case to be opened or dismantled should be carried out by an authorised service agent only.
- WARNING! DO NOT dismantle the hose reel casing, or attempt to remove the screws and covers on the sides. To do so may result in damage to the appliance and/or personal injury and will invalidate the warranty.**

STORAGE:

Should you wish to store the air hose, ensure it is clean and dry. Place the item in a dark, safe, dry, childproof location, where the temperature will remain reasonably stable. **DO NOT** store in a nylon or plastic bag, as this will encourage condensation.

6. TROUBLESHOOTING

| PROBLEM | POSSIBLE CAUSE | SOLUTION |
|------------------------|--|---|
| Hose will not retract: | Hose bunching within reel. Spring tension too tight. | Pull hose out of reel and guide back in. Have spring tension adjusted by authorised service agent. |
| Reel will not latch: | Replacement hose too heavy. The hose has been pulled past the latching teeth. Broken latching pawl or pawl spring. | Have correct hose fitted by authorised service agent. Allow reel to retract slowly after hearing 1st, 2nd or 3rd click. Have new latching pawl or pawl spring fitted by authorised service agent. |
| Reel leaks: | Damaged hose. Loose air connection. Worn swivel seals. | Have new hose fitted by authorised service agent. Tighten fitting. Have new seals fitted by authorised service agent. |



NOTE: It is our policy to continually improve products and as such we reserve the right to alter data, specifications and component parts without prior notice.

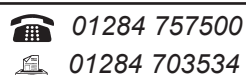
IMPORTANT: No liability is accepted for incorrect use of this product.

WARRANTY: Guarantee is 12 months from purchase date, proof of which will be required for any claim.

INFORMATION: For a copy of our catalogue and latest promotions call us on 01284 757525 and leave your full name, address and postcode.



Sole UK Distributor, SealeyGroup,
Kempson Way, Suffolk Business Park,
Bury St. Edmunds, Suffolk.
IP32 7AR



www.sealey.co.uk

sales@sealey.co.uk