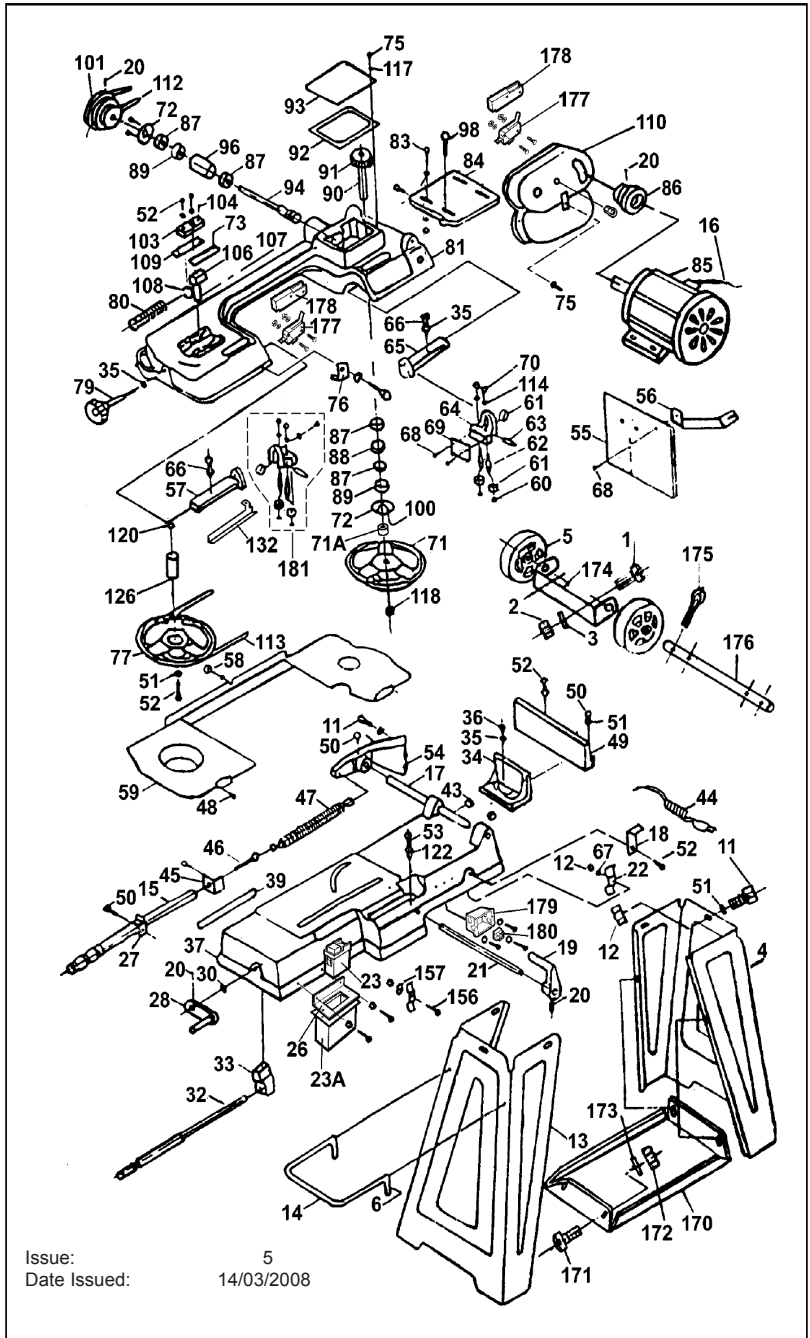


PARTS LIST & DIAGRAM FOR: METAL CUTTING BANDSAW

Model: **SM5.V3**

Item	Part No.	Description
1	SM5.V3/01	Hex. Head Screw
2	SM5.V3/02	Hex. Nut
3	SM5.V3/03	Washer
4	SM5.V3/04	Floor Stand, Right
5	SM5.V3/05	Wheel Assy
6	SM5.V3/06	Cotter Pin
11	SM5.V3/11	Hex. Head Screw
12	SM5.V3/12	Hex. Nut
13	SM5.V3/13	Floor Stand, Left
14	SM5.V3/14	Floor Stand Handle
15	SM5.V3/15	Adjusting Rod
16	SM5.V3/16	Electric Cord
17	SM5.V3/17	Pivot Rod
18	SM5.V3/18	Support Plate
19	SM5.V3/19	Stock Stop
20	SM5.V3/20	Hex Sock Headless Screw
21	SM5.V3/21	Stock Stop Rod
22	SM5.V3/22	Wire Relief Retainer
23	SM5.V3/23	Switch
23A	SM5.V3/23A	Housing for switch
26	SM5.V3/26	Switch Panel
27	SM5.V3/27	Adjusting Rod Support
28	SM5.V3/28	Hand Wheel
30	SM5.V3/30	Thrust Washer
32	SM5.V3/32	Lead Screw
33	SM5.V3/33	Vice Nut
34	SM5.V3/34	Moveable Vice Plate
35	SM5.V3/35	Washer
36	SM5.V3/36	Hex. Head Screw
37	SM5.V3/37	Bed
39	SM5.V3/39	Scale
43	SM5.V3/43	Rubber Ring
44	SM5.V3/44	Electric Cord
45	SM5.V3/45	Nut Plate
46	SM5.V3/46	Spring Adjusting Screw
47	SM5.V3/47	Spring
48	SM5.V3/48	Screw
49	SM5.V3/49	Mitreing Vice Plate
50	SM5.V3/50	Hex. Head Screw
51	SM5.V3/51	Washer
52	SM5.V3/52	Hex. Head Screw
53	SM5.V3/53	Hex. Head Screw
54	SM5.V3/54	Pivot Rod Bracket
55	SM5.V3/55	Vertical Cutting Plate
56	SM5.V3/56	Vertical Cutting Plate Stand
57	SM5.V3/57	Adjustable Bracket, Left
58	SM5.V3/58	Thumb Screw
59	SM5.V3/59	Blade Back Safety Panel
60	SM5.V3/60	Thrust Washer
61	SM5.V3/61	Bearing
62	SM5.V3/62	Guide Pivot
63	SM5.V3/63	Bearing Shaft Pin
64	SM5.V3/64	Blade Adjustable Seating
65	SM5.V3/65	Adjustable Bracket, Right
66	SM5.V3/66	Blade Bearing Guide Lock
67	SM5.V3/67	Spring Washer
68	SM5.V3/68	Screw
69	SM5.V3/69	Blade guard
70	SM5.V3/70	Hex. Nut
71	SM5.V3/71	Blade Wheel (front)
71A	SM5.V3/71A	Bush
72	SM5.V3/72	Bearing Cover
73	SM5.V3/73	Key
75	SM5.V3/75	Hexagon Nut
76	SM5.V3/76	Switch Cut-Off Tip
77	SM5.V3/77	Blade Wheel (rear)
79	SM5.V3/79	Blade Tension Knob
80	SM5.V3/80	Spring
81	SM5.V3/81	Body Frame
83	SM5.V3/83	Hex Head Screw
84	SM5.V3/84	Motor Mount Plate
85	SM5.V3/85	Motor
86	SM5.V3/86	Motor Pulley
87	B/6202Z	Bearing
88	SM5.V3/88	Bush
89	SM5.V3/89	Oil Seal
90	SM5.V3/90	Transmission Wheel Shaft
91	SM5.V3/91	Transmission Gear
92	SM5.V3/92	Gasket, Gearbox
93	SM5.V3/93	Cover, Gearbox
94	SM5.V3/94	Worm Gear
96	SM5.V3/96	Bush
98	SM5.V3/98	Thumb Screw
100	SM5.V3/100	Screw
101	SM5.V3/101	Worm Gear Pulley
103	SM5.V3/103	Blade Tension Sliding Plate
104	SM5.V3/104	Hex Sock Headless Screw
106	SM5.V3/106	Sliding Plate Draw Block
107	SM5.V3/107	Blade Wheel Shaft
108	SM5.V3/108	Shaft Block
109	SM5.V3/109	Blade Tension Guides



Item	Part No.	Description	Item	Part No.	Description
110	SM5.V3/110	Motor Pulley Cover	170	SM5.V3/170	Tool plate
112	SM5.V3/110	Belt	171	SM5.V3/171	Hex Head Screw
113	SM5.V3/111	Blade	172	SM5.V3/172	Hexagon Nut
114	SM5.V3/114	Washer	173	SM5.V3/173	Washer
117	SM5.V3/117	Washer	174	SM5.V3/174	Wheel Stand
118	SM5.V3/118	Thrust Washer	175	SM5.V3/175	Cotter Pin
120	SM5.V3/120	Bearing	176	SM5.V3/176	Axle
122	SM5.V3/122	Hexagon Nut	177	SM5.V3/177	Micro Switch
126	SM5.V3/126	Bushing	178	SM5.V3/178	Cover for Micro Switch
131	SM5.V3/131	Switch Protection Bracket (Not Shown)	179	SM5.V3/179	Terminal box
132	SM5.V3/132	Blade Safe Guard	180	SM5.V3/180	Terminal
156	SM5.V3/156	Round Head Socket Screw	181	SM5.V3/181	Adjustable Blade Assy
157	SM5.V3/157	Star Washer			

Blades available from your Sealey supplier:

SM5/113/6	64½ x ½ x 0.025.	6tpi
SM5/113/10	64½ x ½ x 0.025.	10tpi
SM5/113/14	64½ x ½ x 0.025.	14tpi
SM5/113/24	64½ x ½ x 0.025.	24tpi