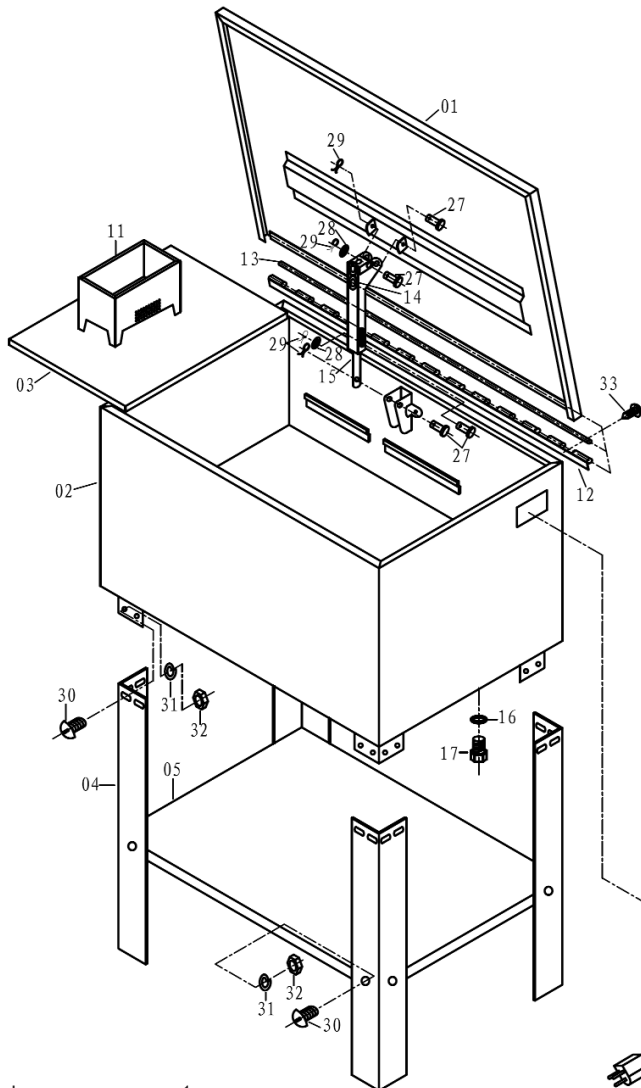
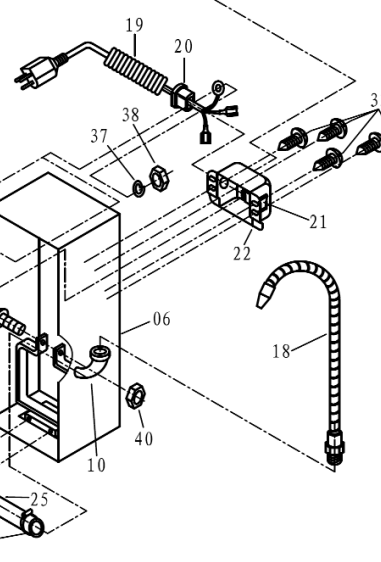




PARTS FOR:
PARTS CLEANING TANK EXTRA DEEP 136ltr
 MODEL: **SM40D.V2**



ITEM	PART NO	DESCRIPTION
1	SM40D.V2-01	TANK LID
2	SM40D.V2-02	TANK
3	SM40D.V2-03	WORK SHELF
4	SM40D.V2-04	LEG
5	SM40D.V2-05	SHELF
6	SM40D.V2-06	PUMP HOUSING
7	SM40D.V2-07	PUMP HOUSING COVER
8	SM40D.V2-08	FILTER COVER
9	SM40D.V2-09	FILTER
10	SM40D.V2-10	ELBOW
11	SM40D.V2-11	FILTER BASKET
12	SM40D.V2-12	HINGE
13	SM40D.V2-13	HINGE SHAFT
14	SM40D.V2-14	SAFETY PLATE
15	SM40D.V2-15	SAFETY LEVER
16	SM40D.V2-16	O-RING
17	SM40D.V2-17	PLUG
18	SM40D.V2-18	FLEXIBLE PIPE
19	SM40D.V2-19	POWER CORD
20	SM40D.V2-20	WIRE CLAMP
21	SM40D.V2-21	SWITCH
22	SM40D.V2-22	SWITCH BOX
23	SM40D.V2-23	WIRE HOLDER
24	SM40D.V2-24	PUMP
25	SM40D.V2-25	HOSE FOR PUMP
26	SM40D.V2-26	HOSE CLAMP
27	SM40D.V2-27	PIN
28	SM40D.V2-28	WASHER (5mm)
29	SM40D.V2-29	SPLIT PIN
30	SM40D.V2-30	BOLT (M6x12)
31	SM40D.V2-31	SPRING WASHER (6mm)
32	SM40D.V2-32	NUT (M6)
33	SM40D.V2-33	TAPPING SCREW (ST4.2x13)
34	SM40D.V2-34	TAPPING SCREW (ST4.8x16)
35	SM40D.V2-35	BOLT (M4x12)
36	SM40D.V2-36	STAR WASHER (4mm)
37	SM40D.V2-37	SPRING WASHER (4mm)
38	SM40D.V2-38	NUT (M4)
39	SM40D.V2-39	BOLT (M5x40)
40	SM40D.V2-40	NUT (M5)



Issue: 1
 Issue Date: 061213

NOTE: It is our policy to continually improve products and as such we reserve the right to alter data, specifications and component parts without prior notice.

IMPORTANT: No liability is accepted for incorrect use of product.

WARRANTY: Guarantee is 12 months from purchase date, proof of which will be required for any claim.

INFORMATION: For a copy of our latest catalogue and promotions call us on 01284 757525 and leave your full name and address, including postcode.



Sole UK Distributor,
 Sealey Group, Kempson Way,
 Suffolk Business Park,
 Bury St Edmunds, Suffolk, IP32 7AR



01284 757500



01284 703534



www.sealey.co.uk



sales@sealey.co.uk