

Thank you for purchasing a Sealey product. Manufactured to a high standard this product will, if used according to these instructions and properly maintained, give you years of trouble free performance.



IMPORTANT: PLEASE READ THESE INSTRUCTIONS CAREFULLY. NOTE THE SAFE OPERATIONAL REQUIREMENTS, WARNINGS AND CAUTIONS. USE THE PRODUCT CORRECTLY AND WITH CARE FOR THE PURPOSE FOR WHICH IT IS INTENDED. FAILURE TO DO SO MAY CAUSE DAMAGE AND/OR PERSONAL INJURY AND WILL INVALIDATE THE WARRANTY. PLEASE KEEP INSTRUCTIONS SAFE FOR FUTURE USE.

1. SAFETY INSTRUCTIONS

1.1. ELECTRICAL SAFETY

WARNING! It is the responsibility of the owner and the operator to read, understand and comply with the following:


You must check all electrical products, before use, to ensure that they are safe. You must inspect power cables, plugs, sockets and any other connectors for wear or damage. You must ensure that the risk of electric shock is minimised by the installation of appropriate safety devices. A Residual Current Circuit Breaker (RCCB) should be incorporated in the main distribution board. We also recommend that a Residual Current Device (RCD) is used. It is particularly important to use an RCD with portable products that are plugged into a supply which is not protected by an RCCB. If in any doubt consult a qualified electrician. You may obtain a Residual Current Device by contacting your Sealey dealer.

You must also read and understand the following instructions concerning electrical safety.

- 1.1.1. The **Electricity at Work Act 1989** requires that all portable electrical appliances, if used on business premises, are tested by a qualified electrician, using a Portable Appliance Tester (PAT), at least once a year.
- 1.1.2. The **Health & Safety at Work Act 1974** makes owners of electrical appliances responsible for the safe condition of those appliances and the safety of the appliance operators. **If in any doubt about electrical safety, contact a qualified electrician.**
- 1.1.3. Ensure that the insulation on all cables and on the appliance is safe before connecting it to the power supply.
See 1.1.1. and 1.1.2. and use a Portable Appliance Tester.
- 1.1.4. Ensure that cables are always protected against short circuit and overload.
- 1.1.5. Regularly inspect power supply cables and plugs for wear or damage and check all connections to ensure that none is loose.
- 1.1.6. **Important:** Ensure that the voltage marked on the appliance matches the power supply to be used and that the plug is fitted with the correct fuse - see fuse rating at right.
- 1.1.7. **DO NOT** pull or carry the appliance by the power cable.
- 1.1.8. **DO NOT** pull the plug from the socket by the cable.
- 1.1.9. **DO NOT** use worn or damaged cables, plugs or connectors.
Immediately have any faulty item repaired or replaced by a qualified electrician. When a BS 1363/A UK 3 pin plug is damaged, cut the cable just above the plug and **dispose of the plug safely.**

Fit a new plug according to the following instructions (UK only).

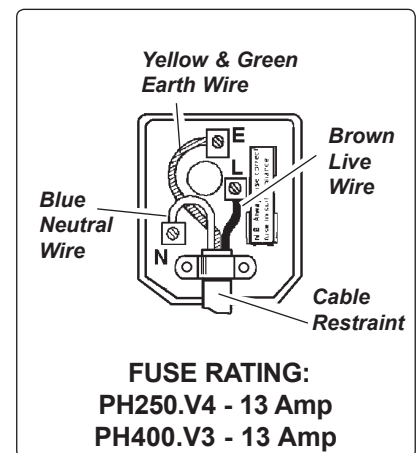
- a) **Connect the GREEN/YELLOW earth wire to the earth terminal 'E'.**
- b) **Connect the BROWN live wire to the live terminal 'L'.**
- c) **Connect the BLUE neutral wire to the neutral terminal 'N'.**
- d) **After wiring, check that there are no bare wires, that all wires have been correctly connected, that the cable outer insulation extends beyond the cable restraint and that the restraint is tight.**

Double insulated products, which are always marked with this symbol , are fitted with live (brown) and neutral (blue) wires only. To rewire, connect the wires as indicated above - **DO NOT** connect either wire to the earth terminal.

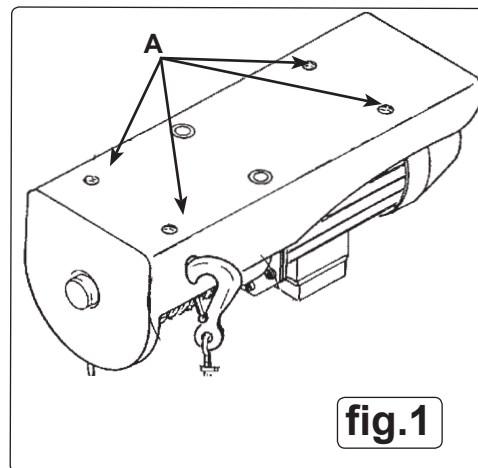
- 1.1.10. Products which require more than 13 amps are supplied without a plug. In this case you must contact a qualified electrician to ensure that a suitably rated supply is available. We recommend that you discuss the installation of an industrial round pin plug and socket with your electrician.
- 1.1.11. If an extension reel is used it should be fully unwound before connection. A reel with an RCD fitted is preferred since any appliance plugged into it will be protected. The cable core section is important and should be at least 1.5mm², but to be absolutely sure that the capacity of the reel is suitable for this product and for others which may be used in the other output sockets, we recommend the use of 2.5mm² section cable.

1.2. GENERAL SAFETY

- WARNING!** Ensure **Health & Safety, local authority, and general workshop practice regulations** are adhered to when using this equipment.
- ✓ Familiarise yourself with the application, limitations and potential hazards of the hoist.
- WARNING!** **Disconnect the hoist from the mains power before changing accessories, servicing or performing any maintenance.**
- ✓ Maintain the hoist in good condition (use an authorised service agent).
- ✓ Replace or repair damaged parts. *Use genuine parts only. Unauthorised parts may be dangerous and will invalidate the warranty.*
- ✓ Locate hoist in a suitable work area, keep area clean and tidy and free from unrelated materials. Ensure that there is adequate lighting.
- WARNING!** **Ensure that the mounting for the hoist is capable of supporting the rated capacity of the hoist (plus the weight of the hoist) without failure and that the hoist is mounted horizontally.**
- ✓ Keep the hoist clean for best and safest performance and check moving parts alignment regularly.
- ✓ Remove ill fitting clothing. Remove ties, watches, rings and other loose jewellery and contain and/or tie back long hair.
- ✓ Keep children and unauthorised persons away from the work area.
- ✓ Ensure the load is correctly secured before operating the hoist.
- ✓ Keep hands away from the cable reel when winding the hoist in.
- x **DO NOT** use the hoist for any purpose other than that for which it is designed.
- x **DO NOT** operate the hoist if any parts are damaged or missing as this may cause failure and/or possible personal injury.
- x **DO NOT** exceed the rated capacity of the hoist.
- x **DO NOT** adjust or tamper with the maximum lift cut-out mechanism.
- x **DO NOT** use the hoist out of doors.
- x **DO NOT** get the hoist wet or use in damp or wet locations or areas where there is condensation.
- x **DO NOT** allow untrained persons to operate the hoist.
- x **DO NOT** operate the hoist when you are tired or under the influence of alcohol, drugs or intoxicating medication.
- x **DO NOT** use the hoist where there are flammable liquids, solids or gases such as paint solvents, etc.
- x **DO NOT** attempt to lift angled loads or to drag loads with the hoist. The centre of gravity of the load must always be directly below the hoist.
- x **DO NOT** allow the load to swing beneath the hoist.
- x **DO NOT** allow a raised and supported load to fall and thus shock load the mounting, hoist, cable and hook.



- x **DO NOT** use more than one hoist to lift a load.
 - x **DO NOT** leave the hoist unattended with a suspended load.
 - x **DO NOT** wrap the hoist cable around the load.
 - x **DO NOT** use the hoist to lift dangerous materials.
 - x **DO NOT** use the hoist to lift people.
 - ✓ Use a qualified person to lubricate and maintain the hoist.
 - ✓ When not in use and before carrying out repairs/maintenance isolate the hoist from the power supply.
- ▲ **DANGER!** Ensure that personnel are prevented from passing beneath the hoist and load.



2. INTRODUCTION & SPECIFICATIONS

Approved to EU and UK Lifting Gear Regulations. These hoists are intended for use where a suitable support facility exists. Support brackets are included with the equipment. The support bar is not included.

Specifications PH250.V4 PH400.V3

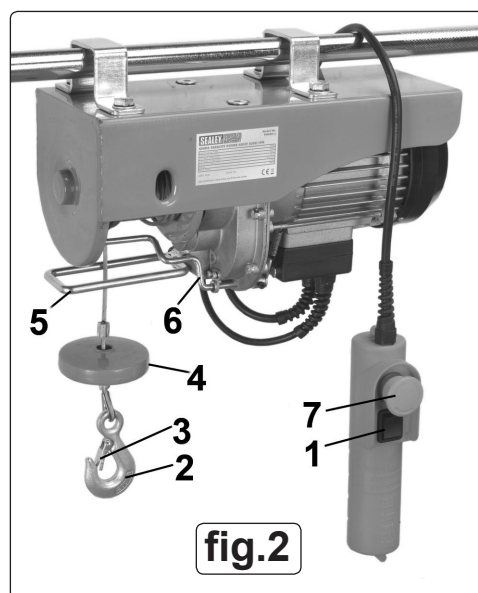
Lifting capacity:	single line . . . 125kg 200kg
	double line . . . 250kg 400kg
Lift height:	single line . . . 12mtr 12mtr
	double line . . . 6mtr 6mtr
Cable diameter: 3.0mm 3.8mm
Rated Speed (Max): 8mtr/min 8mtr/min
Motor: 230V/500W 230V/750W
Weight: 10.5kg 16kg

3. MOUNTING

- 3.1. Unpack the hoist and check contents against the items listed below. Should there be any damaged or missing parts contact your supplier immediately.

Contents

1. Hoist assembly.
 2. Double line pulley and hook (loosely assembled).
 3. Four each of: bolts, spring washers and washers.
 4. Two mounting brackets.
- 3.2. Ensure that the selected hoist support is sufficiently strong and will also hold the hoist in a horizontal position. If alternative mounting brackets are fabricated, ensure that these are at least as strong as those provided, and align with the mounting holes (fig.1.A) in the hoist.



4. OPERATION

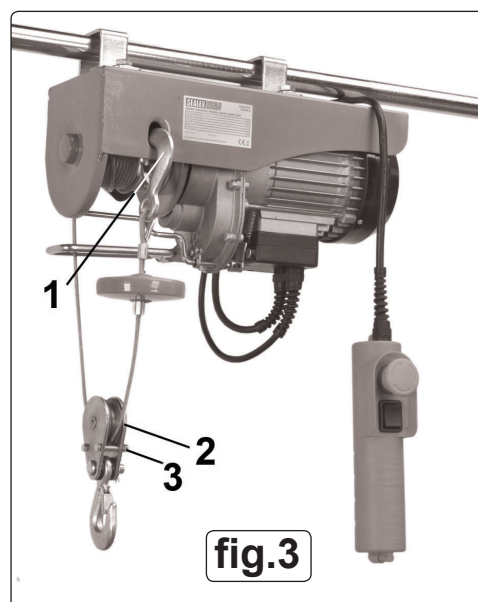
□ **WARNING!** Before using the hoist ensure that you have read, understood and apply the safety instructions in Section 1.

IMPORTANT: In an emergency press the emergency stop button to halt the hoist (fig.2.7), to release the emergency stop button, turn it clockwise.

- 4.1. Ensure that the load to be lifted is directly below the hoist and that any lifting straps, ropes or chains being used are capable of supporting the weight.
- 4.2. With mains power switched on, operate control switch (fig.2.1) to bring hook to load height. Press lower half of switch to lower hook and upper half to raise hook. Release switch to stop hoist.
- 4.3. Attach hoist hook (fig.2.2) to load, ensuring that safety bar (fig.2.3) is fully closed.
- 4.4. Use control switch (fig.2.1) to raise or lower the load to the required height.
- 4.5. To carry out a double line lift, first hook the single line hook in aperture in hoist frame (fig.3.1). Then take double line pulley and hook (fig.3.2), remove 'R' pin, shaft and washers and undo nyloc nuts and remove small bolts (fig.3.3). Place pulley on cable loop between hoist drum and single line hook. Replace hook and refit shaft, washers and 'R' pin, then refit small bolts and tighten the nyloc nuts on them. Ensure that pulley is free to rotate. Proceed as above in 4.1. to 4.4.

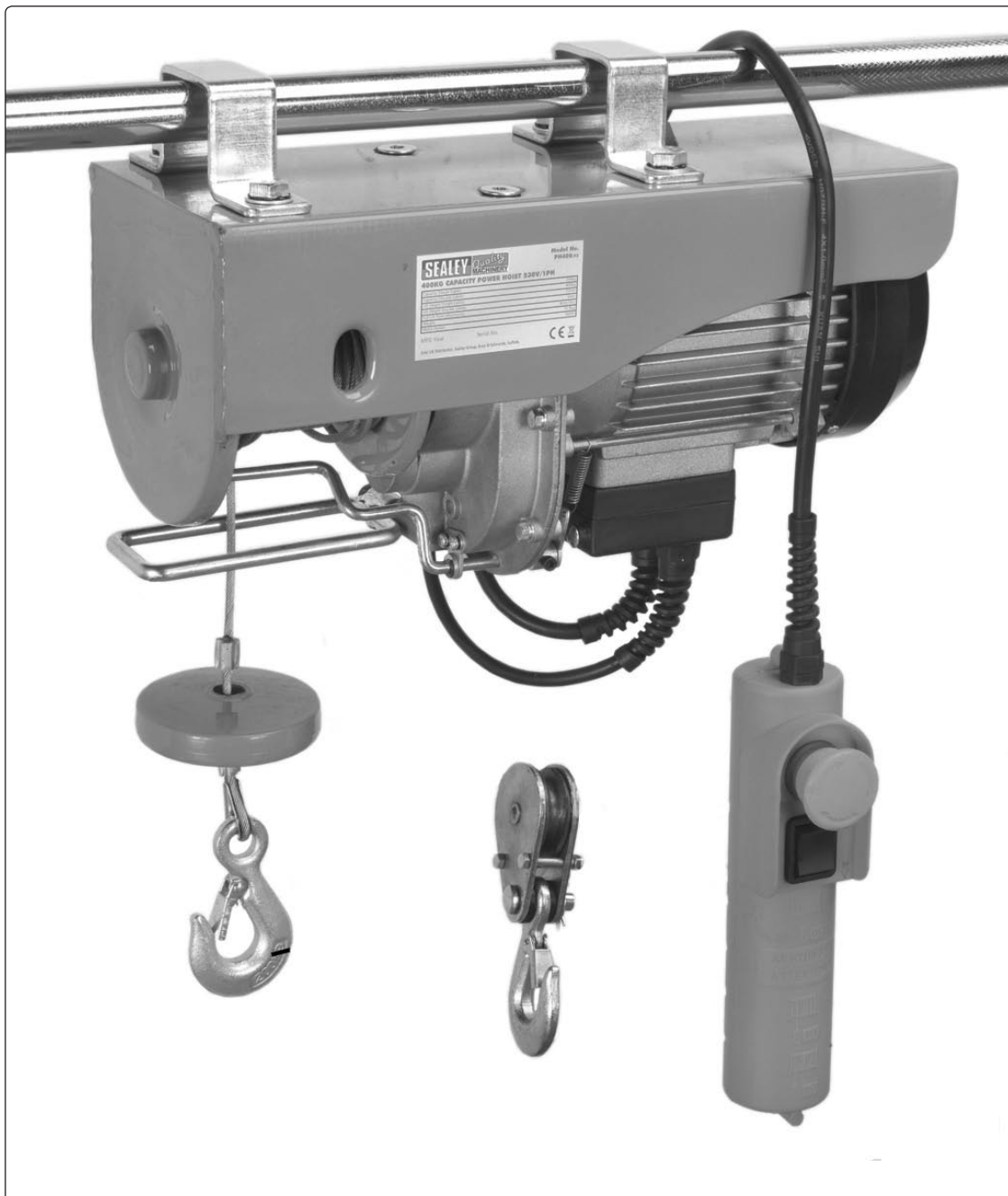
Notes: 1. It is important not to completely empty the cable drum, it is designed so that if the cable is run out to it's end, the cable will engage with the safety bar (fig.2.6) and cut the motor out, and there will still be sufficient windings on the drum. If however the cable is being pulled out of the hoist at an angle, it may not engage with the safety bar, so caution is needed in this situation.

2. In order to prevent the motor/gearbox from overheating, the hoist should not be operated for longer than four minutes at any one time. Any period of use should be followed by a similar period with the hoist at rest.
3. Do not wind loose cable onto drum - ensure that cable is always under tension.



5. MAINTENANCE

- 5.1. The hoist should be thoroughly checked over at regular intervals to ensure that it is undamaged and is functioning correctly.
- 5.2. Isolate from the power supply and inspect the following for any signs of damage, wear or looseness, as appropriate:
- a) Lifting cable
 - b) Electrical cables/connections
 - c) Control switch
 - d) Mounting brackets/bolts
 - e) Support structure
- Rectify any faults that are found, before using the hoist again.
- 5.3. Reconnect to power supply and check for correct operation of the control switch and the maximum lift cut-out switch - the hoist should stop when the counterweight (fig.2.4) lifts the cut-out arm (fig.2.5).



NOTE: It is our policy to continually improve products and as such we reserve the right to alter data, specifications and component parts without prior notice.

IMPORTANT: No liability is accepted for incorrect use of this product.

WARRANTY: Guarantee is 12 months from purchase date, proof of which will be required for any claim.

INFORMATION: For a copy of our latest catalogue and promotions call us on 01284 757525 and leave your full name and address, including postcode.



Sole UK Distributor, Sealey Group,
Kempson Way, Suffolk Business Park,
Bury St. Edmunds, Suffolk,
IP32 7AR

01284 757500

01284 703534



www.sealey.co.uk



sales@sealey.co.uk