



INSTRUCTIONS FOR:
FOLDING WORKBENCH 235MM CAPACITY
 MODEL No: **FWB1.V3**

Thank you for purchasing a Sealey product. Manufactured to a high standard, this product will, if used according to these instructions, and properly maintained, give you years of trouble free performance.



IMPORTANT: PLEASE READ THESE INSTRUCTIONS CAREFULLY. NOTE THE SAFE OPERATIONAL REQUIREMENTS, WARNINGS & CAUTIONS. USE THE PRODUCT CORRECTLY AND WITH CARE FOR THE PURPOSE FOR WHICH IT IS INTENDED. FAILURE TO DO SO MAY CAUSE DAMAGE AND/OR PERSONAL INJURY AND WILL INVALIDATE THE WARRANTY. KEEP THESE INSTRUCTIONS SAFE FOR FUTURE USE.

1. SAFETY

- ✓ Maintain the workbench in good condition. Replace or repair damaged parts. Use recommended parts only. Unauthorised parts may be dangerous and will invalidate the warranty.
- ✓ Keep the workbench clean for best and safest performance and check moving parts alignment regularly.
- ✓ Locate the workbench in a suitable working area. Keep area clean and tidy and ensure there is adequate lighting.
- ✓ Ensure the workpiece is correctly held or secured before commencing work.
- ✓ Ensure that any workpiece which extends beyond the bench is adequately supported.
- ✓ Maintain correct balance and footing. Ensure the floor is not slippery and wear non-slip shoes.
- ✗ **DO NOT** use the workbench for any purpose other than that for which it is designed.
- ✗ **DO NOT** get the workbench wet or use in wet weather conditions, and **DO NOT** expose the workbench to excessive heat.
- ✗ **DO NOT** operate the workbench if any parts are missing as this may cause failure and/or personal injury.
- ✗ **DO NOT** stand on the top of workbench, or use it as standing platform or to support a platform. The workbench is for clamping items only.
- ✓ When not in use store in a safe, dry, child proof area and ensure it will not topple over.

2. INTRODUCTION

Hard wearing MDF top with pre-drilled jaw grip anchorages. Bench top additionally features vice capability for gripping work whilst sawing, planing and drilling. Bench legs fold flat for easy storage and incorporate tool storage slots. Suitable for sawing, drilling, planing and sanding operations.

3. SPECIFICATION

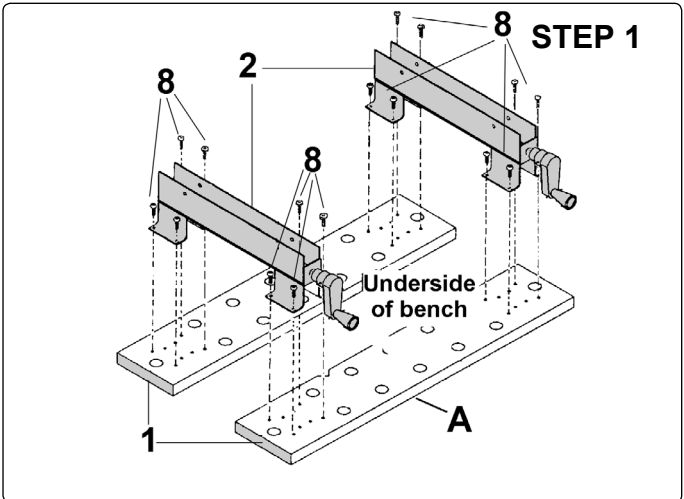
Model No: **FWB1.V3**
 Folded (W x D x H): 605 x 140 x 895mm
 Unfolded: 605 x 630 x 750mm
 Clamp Capacity: 235mm

4. CONTENTS

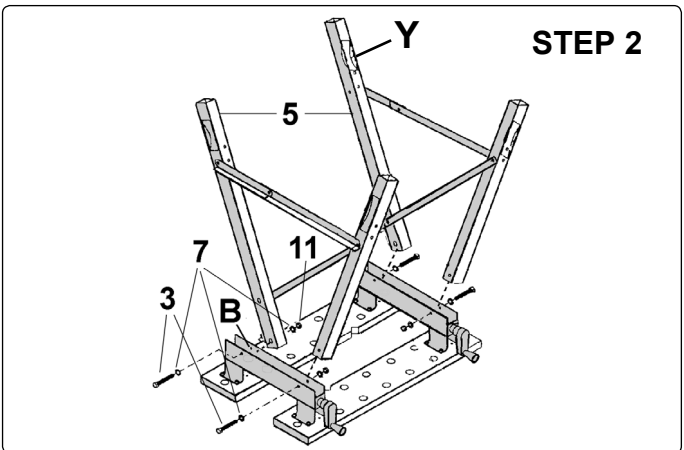
PART DESCRIPTION		QTY
1	Work tops	2
2	Slide bases	2
3	Hex bolts	4
4	Crossbars	2
5	Leg frames	2
6	Plastic feet	4
7	Washers Ø16xØ8x1.2	8
8	Wood screws 4.8x16mm16	8
9	Screws (domehead)	9
10	M6x1.0x3.7mm	8
11	Nuts M6x1mm	8
12	Nuts M6x1.2mm	4
13	Chocks	4
14	Washers Ø13x6x1.2	8

5. ASSEMBLY

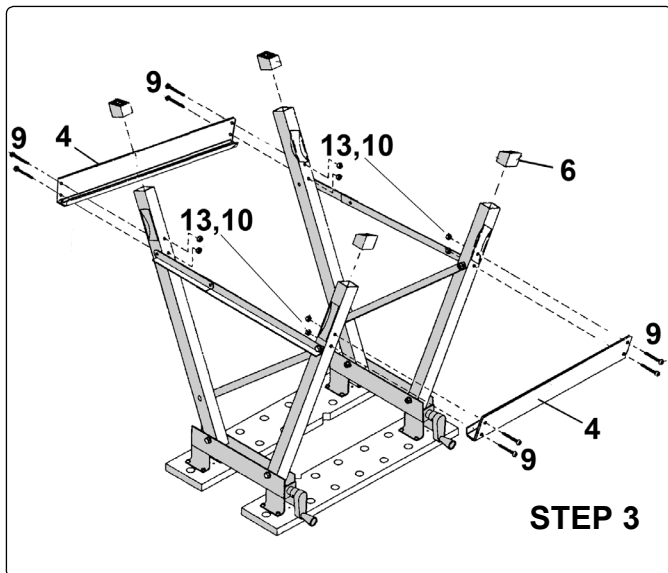
Unpack the product and check contents to ensure no parts are damaged. Should there be any damaged or missing parts contact your supplier immediately. Follow the step by step illustrations to assemble your bench.



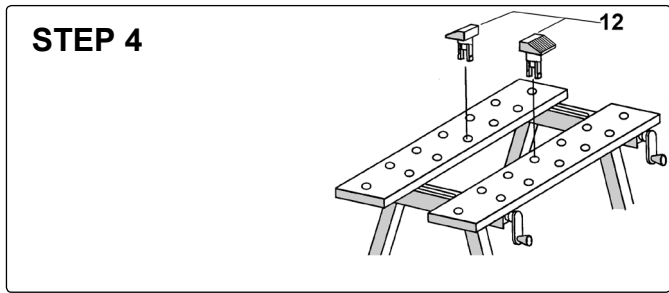
Lay the wooden worktop/jaws (1) upside down on a surface that will not scratch or cause damage. Screw the vice arms (2) to the jaws using wood screws (8) ensuring that the jaw angle and ruler guides are on the same side as the vice handles at point "A".
Note: If not already assembled, push handles onto vice screw ends and secure with pins.



Open the leg frames (5) and align with holes on the inside of the vice arms at points "B" ensuring the curvatures on the lower part of the legs "Y" point outward. Insert bolts (3) from the outside of the vice arm with washers (7) and secure with washers (7) and nuts (11) from the inside.



Align the crossbars (4) with holes in legs and insert bolts (9) from the outside and fix with washers (13) and nuts (10).
 Push the plastic feet (6) onto the leg ends ensuring the longest side of the foot corresponds with the outer corner of the leg point.



Fix chock (12) in suitable holes located in worktop as required.



Environmental Protection

Recycle unwanted materials instead of disposing of them as waste. All tools, accessories and packaging should be sorted, taken to a recycling centre and disposed of in a manner which is compatible with the environment.

NOTE: It is our policy to continually improve products and as such we reserve the right to alter data, specifications and component parts without prior notice.


IMPORTANT: No liability is accepted for incorrect use of this product.


WARRANTY: Guarantee is 12 months from purchase date, proof of which will be required for any claim.

INFORMATION: For a copy of our latest catalogue and promotions call us on 01284 757525 and leave your full name and address, including postcode.



Sole UK Distributor, Sealey Group,
 Kempson Way, Suffolk Business Park,
 Bury St. Edmunds, Suffolk,
 IP32 7AR

 01284 757500

 01284 703534

 www.sealey.co.uk

 sales@sealey.co.uk