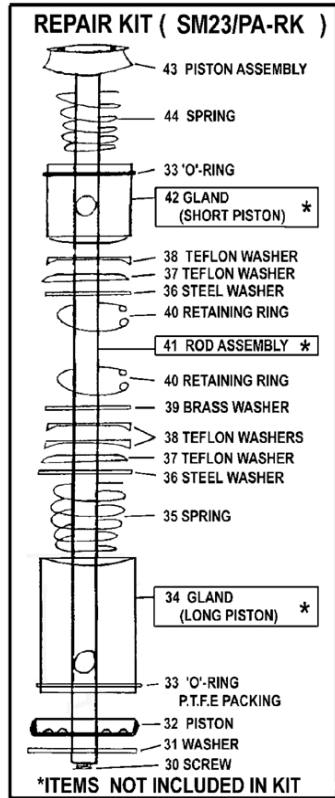


ITEM	PART NO	DESCRIPTION	ITEM	PART NO	DESCRIPTION	ITEM	PART NO	DESCRIPTION
1	SM23/2-01	LID COVER	24	SM23/2-24	GASKET	46	SM23/2-46	ANGLE CONNECTOR
2	SM23/2-02	TANK	25	SM23/2-25	BALL STOPPER	48	SM23/2-48	AUTOMATIC STOP SWITCH
3	SM23/2-03	FRAME	26	SM23/2-26	TEFLON BALL 12.5mm	49	SM23/2-49	CONNECTOR
4	SM23/2-04	DOOR	27	SM23/2-27	BODY	50	SM23/2-50	CONNECTOR
5	SM23/2-05	STAND	28	SM23/2-28	ELBOW	51	SM23/2-51	NUT
6	SM23/2-06	PIPE	29	SM23/2-29	CONNECTOR	52	SM23/2-52	SCREW
7	SM23/2-07	NOZZLE	30	SM23/2-30	SCREW	53	SM23/2-53	WASHER
8	SM23/2-08	LONG NOZZLE	31	SM23/2-31	WASHER	54	SM23/2-54	SWITCH PLATE
9	SM23/2-09	EXTENSION BAR	32	SM23/2-32	PISTON	55	SM23/2-55	NUT
10	SM23/2-10	EXTENSION BAR	33	SM23/2-33	O-RING	56	SM23/2-56	TRIGGER LOCK & CHAIN
11	SM23.V3-11	SCREEN PLATFORM	34	SM23/2-34	GLAND	57	SM23/2-57	CONNECTOR
12	SM23/2-12	ANGLE CONNECTOR	35	SM23/2-35	SPRING	58	SM23/2-58	CLAMP
13	SM23/2-13	HEX NUT	36	SM23/2-36	WASHER	59	SM23/2-59	STRAINER
14	SM23/2-14	WASHER	37	SM23/2-37	TEFLON WASHER	60	SM23/2-60	SCREW
15	SM23/2-15	WASHER	38	SM23/2-38	TEFLON WASHER	61	SM23/2-61	WASHER
16	SM23/2-16	CONNECTOR	39	SM23/2-39	BRASS WASHER	62	SM23/2-62	CLAMP, CYLINDER
17	SM23/2-17	ANGLE CONNECTOR	40	SM23/2-40	RETAINING RING	63	SM23/2-63	SCREW
18	SM23/2-18	CONNECTOR	41	SM23/2-41	ROD ASSEMBLY	64	SM23/2-64	WASHER
20	SM23/2-20	REGULATOR	42	SM23/2-42	GLAND	65	SM23/2-65	NUT
21	SM23/2-21	ANGLE CONNECTOR	43	SM23/2-43	PISTON ASSEMBLY	66	SM23/2-66	DRAIN VALVE
22	SM23/2-22	MUFFLER	44	SM23/2-44	SPRING			
23	SM23/2-23	CYLINDER	45	SM23/2-45	CYLINDER CAP, UPPER			



Issue: 1
 Issue Date: 081009

NOTE: It is our policy to continually improve products and as such we reserve the right to alter data, specifications and component parts without prior notice.

IMPORTANT: No liability is accepted for incorrect use of product.

WARRANTY: Guarantee is 12 months from purchase date, proof of which will be required for any claim.

INFORMATION: For a copy of our latest catalogue and promotions call us on 01284 757525 and leave your full name and address, including postcode.