



INSTRUCTIONS FOR: HAMMER DRILLS 13MM VARIABLE SPEED 850W & 1050W 230V

MODELS: **SD800.V3 & SD1000.V3**

Thank you for purchasing a Sealey product. Manufactured to a high standard this product will, if used according to these instructions and properly maintained, give you years of trouble free performance.



IMPORTANT: PLEASE READ THESE INSTRUCTIONS CAREFULLY. NOTE THE SAFE OPERATIONAL REQUIREMENTS, WARNINGS & CAUTIONS. USE THE PRODUCT CORRECTLY AND WITH CARE FOR THE PURPOSE FOR WHICH IT IS INTENDED. FAILURE TO DO SO MAY CAUSE DAMAGE AND/OR PERSONAL INJURY AND WILL INVALIDATE THE WARRANTY. PLEASE KEEP INSTRUCTIONS SAFE FOR FUTURE USE.

1. SAFETY INSTRUCTIONS

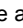
❑ **WARNING!** It is the responsibility of the owner and the operator to read, understand and comply with the following:

You must check all electrical products, before use, to ensure that they are safe. You must inspect power cables, plugs, sockets and any other connectors for wear or damage. You must ensure that the risk of electric shock is minimised by the installation of appropriate safety devices. A Residual Current Circuit Breaker (RCCB) should be incorporated in the main distribution board. We also recommend that a Residual Current Device (RCD) is used. It is particularly important to use an RCD with portable products that are plugged into a supply which is not protected by an RCCB. If in any doubt consult a qualified electrician. You may obtain a Residual Current Device by contacting your Sealey dealer.

You must also read and understand the following instructions concerning electrical safety.

- 1.1.1. The **Electricity at Work Act 1989** requires all portable electrical appliances, if used on business premises, to be tested by a qualified electrician, using a Portable Appliance Tester (PAT), at least once a year.
- 1.1.2. The **Health & Safety at Work Act 1974** makes owners of electrical appliances responsible for the safe condition of those appliances and the safety of the appliance operators. **If in any doubt about electrical safety, contact a qualified electrician.**
- 1.1.3. Ensure that the insulation on all cables and on the appliance is safe before connecting it to the power supply. See 1.1.1. and 1.1.2. and use a Portable Appliance Tester.
- 1.1.4. Ensure that cables are always protected against short circuit and overload.
- 1.1.5. Regularly inspect power supply cables and plugs for wear or damage and check all connections to ensure that none are loose.
- 1.1.6. **Important:** Ensure that the voltage marked on the appliance matches the power supply to be used and that the plug is fitted with the correct fuse - see fuse rating at right.
- 1.1.7. **DO NOT** pull or carry the appliance by the power cable.
- 1.1.8. **DO NOT** pull the plug from the socket by the cable.
- 1.1.9. **DO NOT** use worn or damaged cables, plugs or connectors. Immediately have any faulty item repaired or replaced by a qualified electrician. When an ASTA/BS approved UK 3 pin plug is damaged, cut the cable just above the plug and **dispose of the plug safely**. Fit a new plug according to the following instructions (UK only).

- a) **Connect the GREEN/YELLOW earth wire to the earth terminal 'E'.**
- b) **Connect the BROWN live wire to the live terminal 'L'.**
- c) **Connect the BLUE neutral wire to the neutral terminal 'N'.**
- d) **After wiring, check that there are no bare wires, that all wires have been correctly connected, that the cable outer insulation extends beyond the cable restraint and that the restraint is tight.**

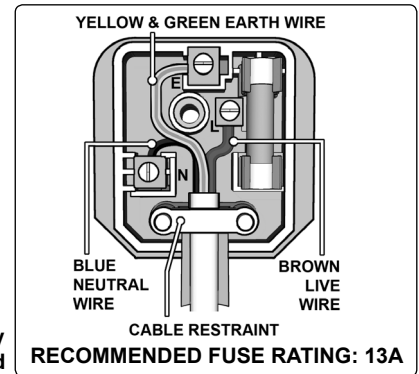
Double insulated products, which are always marked with this symbol , are fitted with live (brown) and neutral (blue) wires only.

To rewire, connect the wires as indicated above - **DO NOT** connect either wire to the earth terminal.

- 1.1.10. Products which require more than 13 amps are supplied without a plug. In this case you must contact a qualified electrician to ensure that a suitably rated supply is available. We recommend that you discuss the installation of an industrial round pin plug and socket with your electrician.
- 1.1.11. If an extension reel is used it should be fully unwound before connection. A reel with an RCD fitted is preferred since any appliance plugged into it will be protected. The cable core section is important and should be at least 1.5mm², but to be absolutely sure that the capacity of the reel is suitable for this product and for others which may be used in the other output sockets, we recommend the use of 2.5mm² section cable. If extension reel is to be used outdoors, ensure it is marked for outdoor use.

1.2 GENERAL SAFETY

- ✓ Disconnect the drill from the mains power before changing accessories, servicing or performing any maintenance.
- ✓ Maintain drill in good condition. Check moving parts and alignment and keep drill bits sharp. If necessary use an authorised service agent.
- ✓ Replace or repair damaged parts. *Use recommended parts only. Unauthorised parts may be dangerous and will invalidate the warranty.*
- ✓ Wear approved safety eye protection with side shields and a dust mask if drilling generates dust. Rubber gloves are recommended when using outdoors and safety gloves when drilling items such as steel, brick work etc,
- ✓ Remove ill fitting clothing. Remove ties, watches, rings, other loose jewellery and contain long hair.
- ✓ Use drill in an adequate working area for its function, keep area clean, tidy and free from unrelated materials and ensure adequate lighting.
- ✓ Prevent body contact with grounded surfaces to avoid electric shock i.e. pipes, radiators, ranges, refrigerators etc.
- ✓ Evaluate your working area before using the drill i.e. ceiling, floors and enclosures may contain hidden electrical wires or water piping.
- ✓ Maintain correct balance and footing.
- x **DO NOT** over-reach and ensure the floor is not slippery and wear non skid shoes.
- ✓ The supplementary handle grip should always be attached for use.
- ✓ Keep children and unauthorised persons away from the working area.
- x **DO NOT** hold unsecured work in your hand.
- ✓ Secure non stable work piece with a clamp, vice or other adequate holding device.
- ✓ Avoid unintentional starting and ensure the lock on button is disengaged before use.
- x **DO NOT** force the drill to achieve a task it was not designed to perform.
- x **DO NOT** operate drill where there are flammable liquids or gasses.
- x **DO NOT** get the drill wet or use in damp or wet locations.
- x **DO NOT** operate the drill if any parts are missing or the drill is damaged as this may cause failure and/or possible personal injury.
- x **DO NOT** operate the drill when you are tired, under the influence of alcohol, drugs or intoxicating medication.
- x **DO NOT** carry the drill with your finger on the power switch, or carry by the power cord, or leave the drill running whilst unattended.
- ✓ When not in use switch drill off, remove plug from power supply, clean the drill and store in safe, dry, child proof area.



2. INTRODUCTION & SPECIFICATIONS

SD800.V3

Professional 850W hammer drill with variable speed and reverse controls. Suitable for driving and removing screws. Hammer action allows up to 13mm capacity in masonry. Features high quality chuck with soft grip handle and body for added comfort. Supplied with adjustable side handle, depth stop and 2mtr cable with BS approved plug.

SD1000.V3

Professional heavy-duty 1050W hammer drill with variable speed and reverse controls. Suitable for driving and removing screws. Two speed mechanical gearbox gives added versatility and hammer action allows up to 16mm capacity in masonry. Features high quality chuck with soft grip handle and body. Supplied with adjustable side handle, depth stop and 2mtr cable with BS approved plug, all in a carry-case with accessories.

MODEL:	SD800.V3	SD1000.V3
Supply:	230V 50Hz	230V 50Hz
Motor Power:	850W	1050W
No Load Speed:	0 - 3000rpm	0 - 1100 / 0 - 3000rpm
Chuck Capacity:	13mm	13mm
Hammer Action:	0-48000bpm	0 - 17600 / 0 - 48000bpm
Drilling Capacity - Steel:	13mm	13mm
Drilling Capacity - Wood:	25mm	25mm
Drilling Capacity - Masonry:	13mm	16mm
Weight:	2kg	4kg
Sound Pressure Level:	93dB(A)	95dB(A)
Sound Power Level:	104dB(A)	106dB(A)
Vibration Level:	2.73m/s ²	2.7m/s ²
Uncertainty:	1.36m/s ²	1.35m/s ²

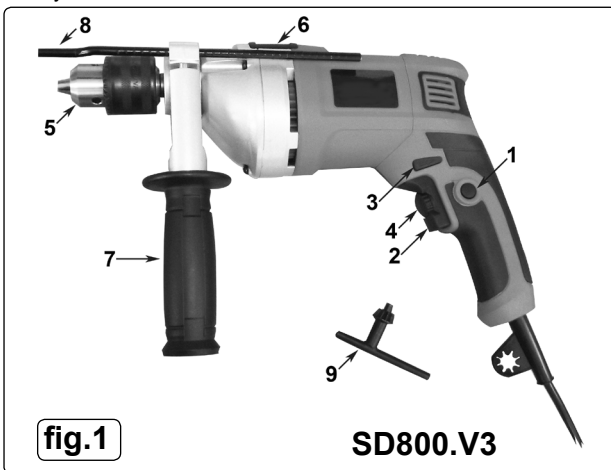


fig.1

SD800.V3

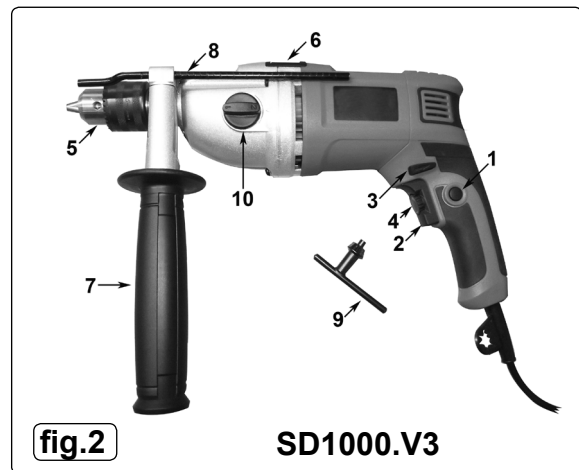


fig.2

SD1000.V3

- | | | |
|--------------------------------------|-----------------------------------|-------------------------------------|
| 1 Trigger Lock Button | 5 Chuck | 9 Chuck Key |
| 2 On/Off Trigger | 6 Drill/Impact Selector | 10 High/Low Gear Selector |
| 3 Forward/Reverse Selector | 7 Side Handle | (SD1000.V3 only) |
| 4 Variable Speed Control | 8 Depth Gauge | |

3. OPERATING INSTRUCTIONS

3.1. PREPARING DRILL FOR USE.

- 3.1.1. Ensure the drill is switched off and unplugged from the mains power supply.
- 3.1.2. **Fitting the side handle.** Fit supplementary handle grip by placing the handle assembly over chuck head and onto the machine neck. Secure by rotating the handle clockwise until it is tight and the handle can no longer be moved. To ensure a good grip in all circumstances the angle of the handle may be changed by rotating the handle grip anti-clockwise until the handle assembly is loose. Rotate the handle to the desired angle and retighten.
- 3.1.3. **Fitting the depth gauge.** To fit the depth gauge loosen the side handle and pass the gauge through the handle clamp to the required depth. Rotate the handle to the required angle. As the handle is tightened the depth gauge will also be gripped firmly.

3.2. DRILL CONTROLS

- 3.2.1. **ON/OFF Variable speed trigger.** Your drill has a variable speed control on/off trigger, which increases the speed the more the trigger is depressed.
 - 3.2.2. **Trigger lock.** To lock 'ON', depress the trigger, push in and hold the button then release the trigger. Release the lock on button and your drill will continue running accordingly.
 - 3.2.3. To release the lock depress the trigger and release it.
 - 3.2.4. Power failure. If you have the lock on feature engaged during use and your drill becomes disconnected from the power supply, disengage the lock on feature immediately.
- WARNING! Before connecting your drill to power supply, ensure it is not in the lock on position as this may result in damage and personal injury. Depress the trigger to ensure release. DO NOT use the lock on facility for jobs where your drill may need to be stopped suddenly.**
- 3.2.5. **Maximum speed setting control.** The variable speed trigger has a small rotating knob incorporated into it, which can be used to control the maximum speed of the drill. When the knob is set to the maximum or + setting the trigger can be fully depressed allowing the drill to turn at its maximum speed. As the knob is turned towards the minimum or - setting the movement of the trigger is restricted so that the drill will turn at a lower pre-set speed when the trigger is fully depressed. This facility is useful when working with materials that should be drilled at a constant, lower speed.
 - 3.2.6. **Two speed gearbox (SD1000 only).** The SD1000 also incorporates a 2 speed mechanical gearbox which used in conjunction with the other speed controls adds additional versatility to this model. To select the lower speed turn the gear selector so that '1' is adjacent to the arrow on the casing. To select the higher speed turn the gear selector so that '2' is adjacent to the arrow on the casing. It may be necessary to rotate the chuck by hand slightly whilst using the gear selector in order to get the gears to mesh.

- ❑ **WARNING! Only change gear when the drill is not turning.**
The required speed will depend on the material and task in hand. The following may be used as a general guide.

- a) Low speeds are recommended for hard materials i.e. stone, ceramic, concrete, high tensile steel and tasks such as starting holes without centre punch, driving screws, mixing paint etc.
- b) Medium speeds are suitable for plastics and laminates.
- c) High speeds recommended for soft materials such as wood, aluminium, copper, bronze and brass.

- ▲ **CAUTION: DO NOT run your drill at low to medium speeds for extended periods of time as this may cause drill to overheat.**
To cool drill run it without a load for approximately 3 minutes at full speed.

- 3.2.7. **Direction of rotation.** Select either forward or reverse rotation using the slide mounted above the trigger. (See fig.5) The slide moves from left to right. Select reverse by moving the slide to the ► symbol. To select the forward direction move the slide to the other side to be adjacent to the ◀ symbol.

- ▲ **CAUTION: Do not change direction of rotation whilst the drill is running.**

- 3.2.8. **Selection of hammer action / drilling.** When using a masonry drill bit the hammer action can be used to assist penetration into concrete, stone and masonry.

The hammer action selector is a large sliding 'switch' situated on top of the drill (See fig.4). To select hammer action slide the selector to the left so that it is adjacent to the hammer symbol moulded on the side of the case. To disable the hammer action slide the switch in the other direction to be adjacent to the drill symbol moulded on the other side of the casing.

- 3.3. **DRILL OR TOOL BIT FITTING.**

- ❑ **WARNING! Unplug from the mains power supply before placing bit into chuck.**

Open or close the chuck jaws to a point where the opening is slightly larger than the drill or tool bit to be used. Raise the front of the drill slightly to stop the bit from falling out of the chuck jaws. Insert the drill bit (A) into the chuck as far as it will go. Place the chuck key (9) in one of the chuck holes and tighten the chuck securely (fig 3).

- 3.4. **DEPTH STOP GAUGE.**

Ensure the work piece has a flat surface and is wide enough for the gauge to butt up against when the required depth has been reached. Measure back from tip of the drill bit to the point at which the drill must stop. Release clamp/handle and extend the depth gauge to the point at which you wish to stop the drill penetrating further and retighten the handle/clamp. Once drill has reached the correct depth the gauge will butt up against the work piece and stop further inward progress.

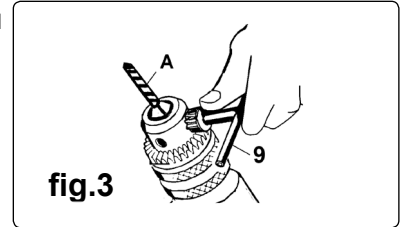


fig.3

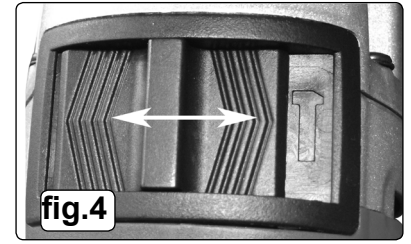


fig.4



fig.5

4. MAINTENANCE

- 4.1. **Changing the drill chuck.**

To remove the drill chuck open the chuck fully. Locate the internal screw and undo turning the screw clockwise (left handed thread), to stop the chuck from moving, grip the chuck, if tight the chuck key can be used to provide additional leverage. On the SD1000 the chuck can be held in position with a spanner. To replace the chuck reverse the above process.

- 4.2. **Cleaning**

Keep the drill ventilation slots clean and free from obstructions. If available blow compressed air into the vents to clear any internal dust (safety goggles must be worn when undertaking this process). Keep the outer case of the drill clean and free from grease. **DO NOT** wash with water or use solvents or abrasives.

- 4.3. **Brushes**

The brushes must be changed by an authorised Sealey service agent.



Environmental Protection.
Recycle unwanted materials instead of disposing of them as waste. All tools, accessories and packaging should be sorted, taken to a recycling centre and disposed of in a manner which is compatible with the environment.



WEEE Regulations.

Dispose of this product at the end of its working life in compliance with the EU Directive on Waste Electrical and Electronic Equipment. When the product is no longer required, it must be disposed of in an environmentally protective way. Contact your local solid waste authority for recycling information.

NOTE: It is our policy to continually improve products and as such we reserve the right to alter data, specifications and component parts without prior notice.

IMPORTANT: No liability is accepted for incorrect use of this product.

WARRANTY: Guarantee is 12 months from purchase date, proof of which will be required for any claim.

INFORMATION: For a copy of our latest catalogue and promotions call us on 01284 757525 and leave your full name and address, including postcode.



Sole UK Distributor, Sealey Group,
Kempson Way, Suffolk Business Park,
Bury St. Edmunds, Suffolk,
IP32 7AR



01284 757500



www.sealey.co.uk



01284 703534



sales@sealey.co.uk

WARNING! – Risk of Hand Arm Vibration Injury.

This tool may cause Hand Arm Vibration Syndrome if its use is not managed adequately.

This tool is subject to the vibration testing section of the Machinery Directive 2006/42/EC.
This tool is to be operated in accordance with these instructions.

Measured vibration emission value (a): **SD800.V3** **.2.73m/s²**
..... **SD1000.V3** **.2.7m/s²**

Uncertainty value (k): **SD800.V3** **.1.36m/s²**
..... **SD1000.V3** **.1.35m/s²**

Please note that the application of the tool to a sole specialist task may produce a different average vibration emission. We recommend that a specific evaluation of the vibration emission is conducted prior to commencing with a specialist task.

A health and safety assessment by the user (or employer) will need to be carried out to determine the suitable duration of use for each tool.

NB: Stated Vibration Emission values are type-test values and are intended to be typical.

Whilst in use, the actual value will vary considerably from and depend on many factors.

Such factors include; the operator, the task and the inserted tool or consumable.

NB: ensure that the length of leader hoses is sufficient to allow unrestricted use, as this also helps to reduce vibration.

The state of maintenance of the tool itself is also an important factor, a poorly maintained tool will also increase the risk of Hand Arm Vibration Syndrome.

Health surveillance.

We recommend a programme of health surveillance to detect early symptoms of vibration injury so that management procedures can be modified accordingly.

Personal protective equipment.

We are not aware of any personal protective equipment (PPE) that provides protection against vibration injury that may result from the uncontrolled use of this tool. We recommend a sufficient supply of clothing (including gloves) to enable the operator to remain warm and dry and maintain good blood circulation in fingers etc. Please note that the most effective protection is prevention, please refer to the Correct Use and Maintenance section in these instructions. Guidance relating to the management of hand arm vibration can be found on the HSC website www.hse.gov.uk - Hand-Arm Vibration at Work.