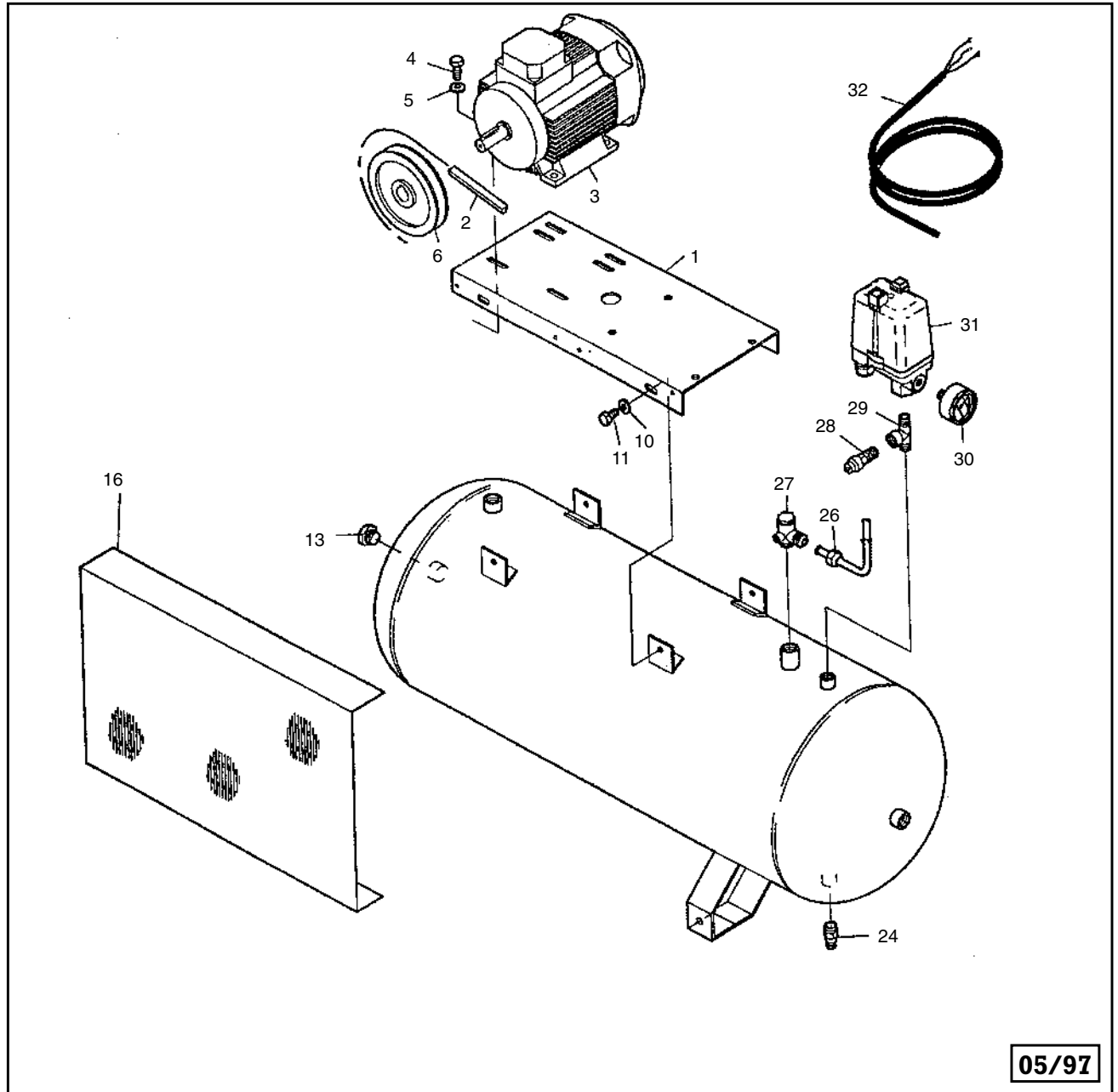


**ASSEMBLY DRAWING - MODEL No.DA150/400BLA. STOCK No.52585**

KEY No.	PART No.	STOCK No.	DESCRIPTION
1	C5016940009	33476	Base plate
2	C7370060000	39097	Belt
3	CF30	52976	Electric motor
4	C7011110000	33479	Screw
5	C7030030000	33480	Washer
6	C7408420000	52977	Pulley
10	C7030040000	33482	Washer
11	C7011140000	33483	Screw
13	C7090050000	52978	Plug
16	C4170190000	33486	Belt guard
24	C7130120000	52979	Drain valve
26	C7235230000	52980	Delivery pipe
27	C7190010000	33491	Non return valve
28	C7192050000	33484	Safety valve
29	C7081000000	33493	Joint
30	C7110060000	39099	Pressure gauge
31	C7250240000	50083	Pressure switch
32	C7328332501	52981	Power cable



**SPECIFICATION:**

PART No.DA150/400BLA	STOCK No.52585
Air displacement:	14.2cfm
Free air delivered (FAD):	9.9cfm
Motor:	3HP-230V
Maximum pressure:	145psi (10 bar)
Number of cylinders:	2
Receiver capacity:	150 litres

# MOTOR ASSEMBLY DRAWING - MODEL No.DA150/400BA. STOCK No.52585

KEY No.	PART No.	STOCK No.	DESCRIPTION
1	C7011350000	51298	Screw
2	C7091120000	39175	Plug
3	C7011040000	39207	Screw
4	C7570110000	51300	Head
5	C7079470000	51301	Gasket
6	C4231160000	51302	Valve plate
7	C7079480000	51303	Gasket
8	C4080120000	51304	Piston ring
9	C7220230000	51305	Piston
10	C7050180000	51306	Piston pin
11	C7041410000	39130	Circlip
12	C4190180008	39108	Con rod
13	C7022030000	39150	Self locking nut
14	C7011100000	33473	Screw
15	C7575180000	51307	Cylinder
16	C7079440000	51308	Gasket
17	C5071040008	51309	Crank housing
18	C7060200000	33455	Ball bearing
19	C7079450000	51310	Gasket
20	C7151160000	51311	Cover
21	C7011460000	33458	Screw
22	C7180060000	39179	Oil level sight glass
23	C7090090000	51312	Plug
24	C7012120000	51313	Screw
25	C7151180000	51314	Intake filter
26	C7210550000	51315	Filter element
27	C7151190000	51316	Filter plate
28	C7062050000	39109	Bushing
29	C5041010008	39134	Crankshaft
30	C7071150000	51317	Ring
31	C7051510000	39147	Key
32	C7060060000	39133	Ball bearing
33	C7151170000	51318	End cover
34	C7201010000	51319	Flywheel
35	C7030270000	33472	Washer
36	C7031010000	33475	Toothed washer </td
37	C7011100000	33473	Screw
38	C7070110000	51320	Gasket
100	C4082790000	51321	Set of valve plates
101	C4291140000	51322	Piston assembly
102	C4082000000	51323	Gasket set

