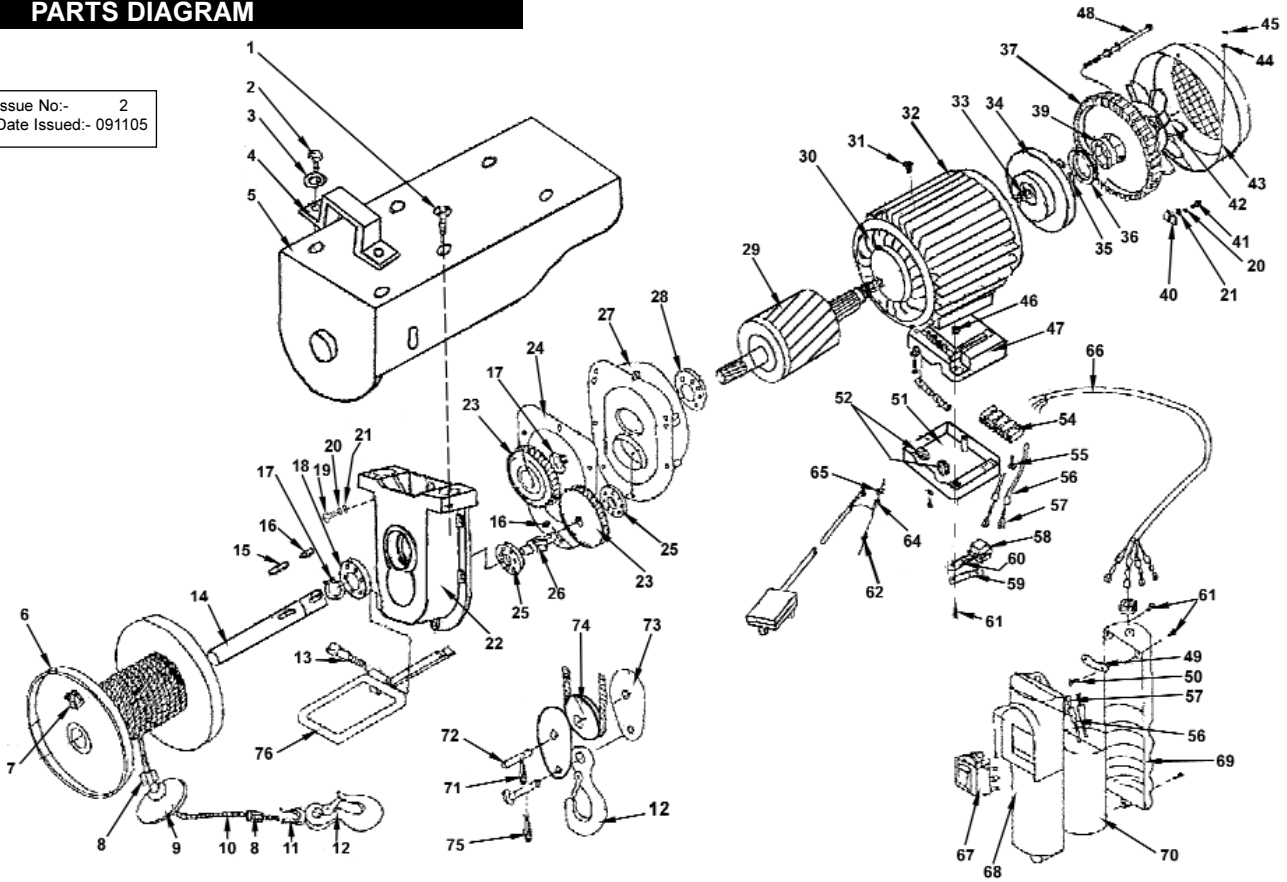


## 6. PARTS DIAGRAM

Issue No:- 2  
Date Issued:- 091105



Item	Part No.	Description
1	PH250.V3-01	SCREW M8 X 20
2	PH250.V3-02	BOLT M8 X 20
3	PH250.V3-03	WASHER
4	PH250.V3-04	FIX HOOK
5	PH250.V3-05	HOUSING
6	PH250.V3-06	DRUM
7	PH250.V3-07	RATCHET
8	PH250.V3-08	STOPPER
9	PH250.V3-09	WEIGHT
10	PH250.V3-10	WIRE ROPE
11	PH250.V3-11	YOKE
12	PH250.V3-12	HOOK
13	PH250.V3-13	HEX SCREW
14	PH250.V3-14	SHAFT
15	PH250.V3-15	KEY 5 X 25
16	PH250.V3-16	KEY 5 X 8
17	PH250.V3-17	RETAINING RING
18	B/6203	BEARING, 6203
19	PH250.V3-19	SCREW M5 X 12
20	PH250.V3-20	SPRING
21	PH250.V3-21	WASHER
22	PH250.V3-22	GEAR BOX
23	PH250.V3-23	GEAR
24	PH250.V3-24	GASKET
25	B/6200-2RS	BEARING, 6200-2RS
26	PH250.V3-26	SHAFT PINION

Item	Part No.	Description
27	PH250.V3-27	BOX COVER
28	B/6202	BEARING, 6202
29	PH250.V3-29	ROTOR
30	PH250.V3-30	STATOR
31	PH250.V3-31	SCREW M6 X 10
32	PH250.V3-32	MOTOR HOUSING
33	PH250.V3-33	SHAFT SPRING
34	PH250.V3-34	MAGNET DISC
35	PH250.V3-35	RETAINING RING
36	PH250.V3-36	SLEEVE
37	PH250.V3-37	MOTOR COVER
38	PH250.V3-38	FASTEN BOLT M5 X 140
39	PH250.V3-39	NUT M14 X 1
40	PH250.V3-40	FIX PLATE
41	PH250.V3-41	SCREW
42	PH250.V3-42	FAN
43	PH250.V3-43	FAN COVER
44	PH250.V3-44	WASHER
45	PH250.V3-45	SCREW M4 X 6
46	PH250.V3-46	NUT
47	PH250.V3-47	CONNECTING HOUSING
48	PH250.V3-48	SCREW M4 X 12
49	PH250.V3-49	WIRE CLIP
50	PH250.V3-50	SCREW
51	PH250.V3-51	COVER
52	PH250.V3-52	PROTECTING RING

Item	Part No.	Description
53	PH250.V3-53	SCREW
54	PH250.V3-54	CONNECTING SEAT
55	PH250.V3-55	SCREW M3 X 12
56	PH250.V3-56	CABLE SLEEVE
57	PH250.V3-57	TERMINAL
58	PH250.V3-58	MICRO SWITCH
59	PH250.V3-59	SHIFT LEVER
60	PH250.V3-60	SHIFT LEVER
61	PH250.V3-61	SCREW M4 X 20
62	PH250.V3-62	SCREW M4 X 8
63	PH250.V3-63	SPRING WASHER
64	PH250.V3-64	TERMINAL
65	PH250.V3-65	STAR WASHER
66	PH250.V3-66	POWER CORD
68	PH250.V3-68	HOUSING COVER
69	PH250.V3-69	SWITCH HOUSING
70	PH250.V3-70	CONDENSER
71	PH250.V3-71	PIN
72	PH250.V3-72	SHAFT
73	PH250.V3-73	PULLEY COVER
74	PH250.V3-74	PULLEY
75	PH250.V3-75	PIN
76	PH250.V3-76	LEVER

## 7. DECLARATION OF CONFORMITY

**Declaration of Conformity** We, the sole importer into the UK, declare that the product listed here is in conformity with the following standards and directives.

**Power Hoist 250kg  
Model: PH250.V3**

98/37/EC Machinery Directive  
73/23/EEC LV Directive  
89/336/EEC EMC Directive  
Docks Regulations 1934 18(a), 22(a)



The construction file for this product is held by the Manufacturer and may be inspected, by a national authority, upon request to Jack Sealey Ltd.

Signed by Mark Sweetman

Date 9th November 2005

For Jack Sealey Ltd. Sole importer into the UK of Sealey Quality Machinery.

**NOTE:** It is our policy to continually improve products and as such we reserve the right to alter data, specifications and component parts without prior notice.

**IMPORTANT:** No liability is accepted for incorrect use of this product.

**WARRANTY:** Guarantee is 12 months from purchase date, proof of which will be required for any claim.

**INFORMATION:** For a copy of our latest catalogue and promotions call us on 01284 757525 and leave your full name and address, including postcode.



**Sole UK Distributor, Sealey Group,**  
Bury St. Edmunds, Suffolk.

01284 757500

01284 703534

sales@sealey.co.uk

www.sealey.co.uk