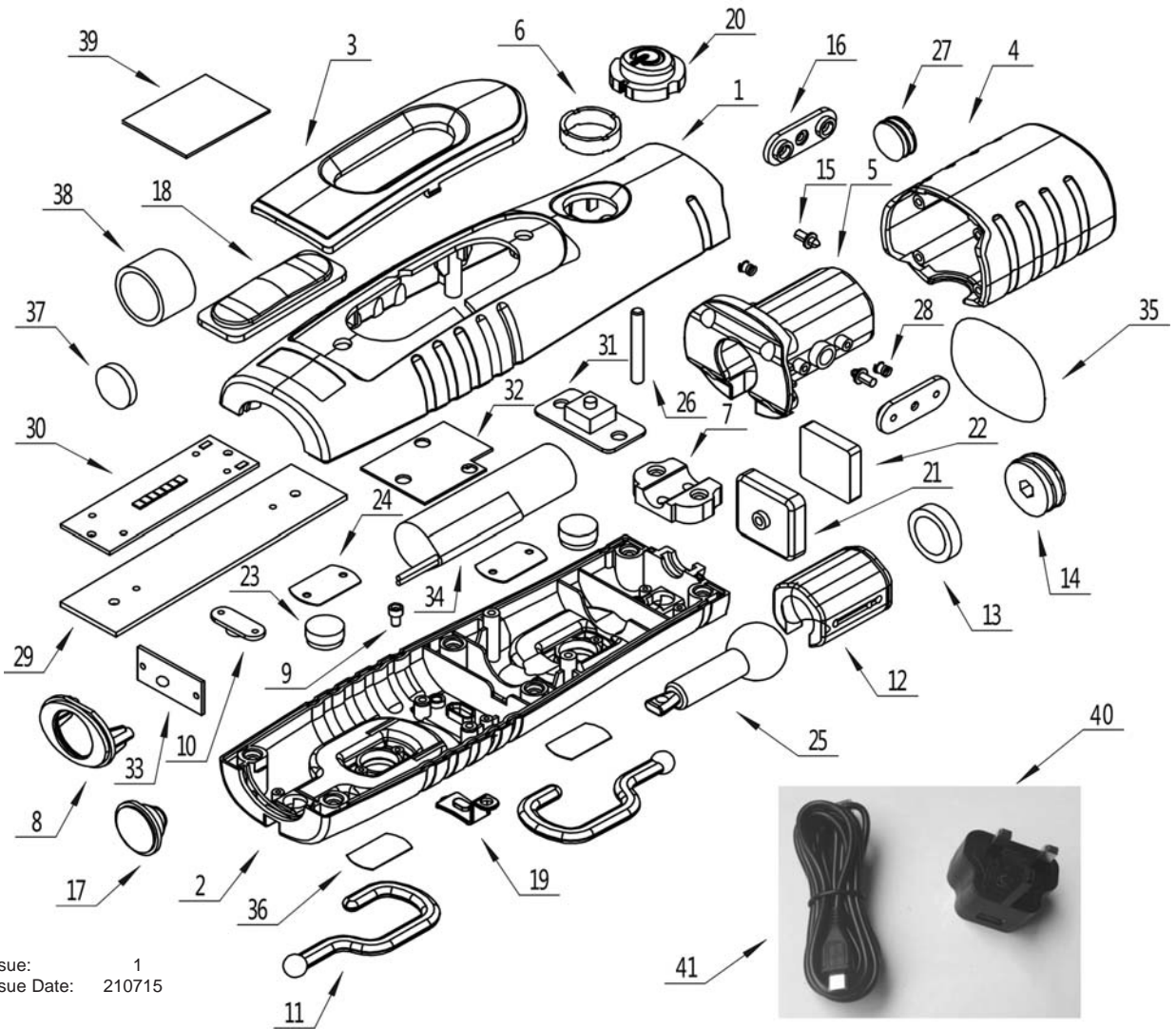




PARTS FOR:
**RECHARGEABLE 360° 7 SMD + 3W LED INSPECTION
 LAMP GREEN LITHIUM-ION**
 MODEL: **LED3602G**



Issue: 1
 Issue Date: 210715

ITEM	PART NO	DESCRIPTION	ITEM	PART NO	DESCRIPTION
1	LED3602G.01	FRONT HOUSING 'GREEN'	22	LED3602G.22	BOTTOM MAGNET
2	LED3602G.02	BACK HOUSING 'GREEN'	23	LED3602G.23	HOUSING MAGNET
3	LED3602G.03	COVER FOR FRONT HOUSING 'GREEN'	24	LED3602G.24	MAGNET COVER
4	LED3602G.04	HANDLE 'GREEN'	25	LED3602G.25	PIVOT
5	LED3602G.05	PIVOT BOX (LARGE)	26	LED3602G.26	SWITCH BUTTON SUPPORT
6	LED3602G.06	SWITCH CAP SUPPORT	27	LED3602G.27	WAVE SPRING
7	LED3602G.07	BALL ARM PLATE	28	LED3602G.28	SPRING
8	LED3602G.08	HEAD LENS COVER	29	LED3602G.29	PCB SUPPORT PLATE
9	LED3602G.09	CHARGING INDICATOR CAP	30	LED3602G.30	75SMD PCB
10	LED3602G.10	HOOK PLATE	31	LED3602G.31	SWITCH BUTTON
11	LED3602G.11	HOOK	32	LED3602G.32	PCB
12	LED3602G.12	ROTATING SUPPORT (SMALL)	33	LED3602G.33	HEAD LED PCB
13	LED3602G.13	PIVOT PROTECTION RING	34	LED3602G.34	BATTERY
14	LED3602G.14	PIVOT PROTECTION RING	35	LED3602G.35	STICKER
15	LED3602G.15	ROTATING SUPPORT PIN	36	LED3602G.36	STICKER
16	LED3602G.16	ROTATING SUPPORT BAR	37	LED3602G.37	BATTERY PROTECTION FOAM
17	LED3602G.17	HEAD LED LENS	38	LED3602G.38	BATTERY PROTECTION FOAM
18	LED3602G.18	SMD LENS	39	LED3602G.39	FOAM
19	LED3602G.19	CHARGING SOCKET COVER	40	LED360USB.C	USB MAINS CHARGER
20	LED3602G.20	SWITCH CAP	41	LED3602G.41	MICRO USB WITH 5PIN CABLE
21	LED3602G.21	MAGNET HOUSING			



Sole UK Distributor,
 Sealey Group, Kempson Way,
 Suffolk Business Park,
 Bury St Edmunds, Suffolk, IP32 7AR

01284 757500
 01284 703534



www.sealey.co.uk
 sales@sealey.co.uk