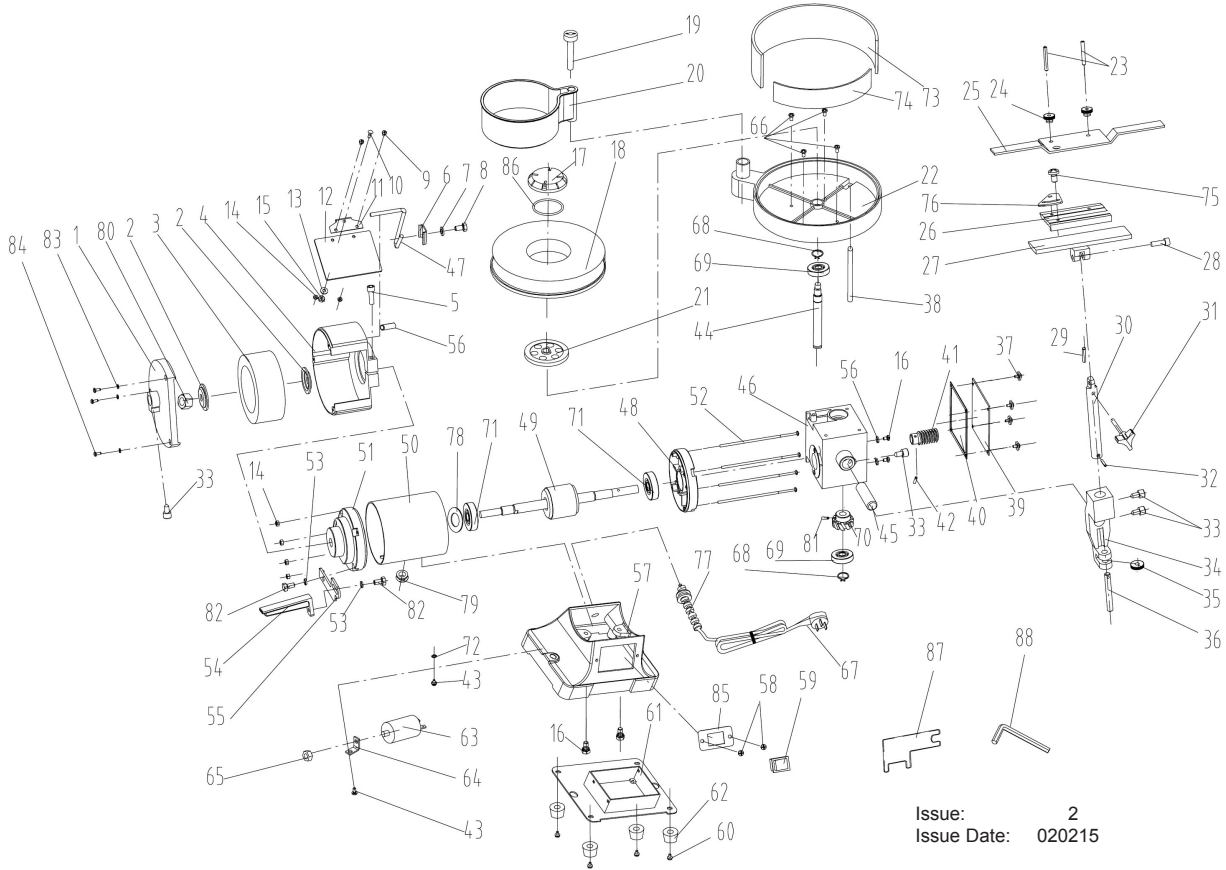




**PARTS FOR:  
BENCH GRINDER / SHARPENER WET & DRY  
Ø200/125mm 250W/230V  
MODEL: SMS2107**



Issue: 2  
Issue Date: 020215

ITEM	PART NO	DESCRIPTION	ITEM	PART NO	DESCRIPTION	ITEM	PART NO	DESCRIPTION
1	SMS2107.01	WHEEL GUARD COVER	31	SMS2107.31	ADJUSTING HANDLE	60	SMS2107.60	PHILLIPS SCREW (c/w WASHER) M5x16
2	SMS2107.02	FLANGE	32	SMS2107.32	PIN (4x20)	61	SMS2107.61	SPACER PLATE
3	SMS2107GW125D	DRY STONE REPLACEMENT	33	SMS2107.33	HEX SOCKET SCREW (M8x20)	62	SMS2107.62	RUBBER FOOT
4	SMS2107.04	WHEEL GUARD, INNER	34	SMS2107.34	SUPPORT	63	SMS2107.63	CAPACITOR
5	SMS2107.05	HEX SOCKET SCREW (M8x40)	35	SMS2107.35	NUT (M10)	64	SMS2107.64	CAPACITOR SUPPORT
6	SMS2107.06	LOCK PLATE	36	SMS2107.36	ADJUSTING SCREW	65	SMS2107.65	HEX NUT (M8)
7	SMS2107.07	FLAT WASHER (8mm)	37	SMS2107.37	PHILLIPS SCREW (c/w FLAT WASHER)	66	SMS2107.66	PHILLIPS SCREW (c/w SPRING WASHER) M5x10
8	SMS2107.08	HEX SCREW (M8x14)	38	SMS2107.38	PLASTIC PIPE	67	SMS2107.67	PLUG & CORD
9	SMS2107.09	PHILLIPS SCREW (M4x10)	39	SMS2107.39	CASE BODY COVER	68	SMS2107.68	CIRCLIP FOR SHAFT (15mm)
10	SMS2107.10	SHOULDER BOLT (M6x16)	40	SMS2107.40	SEALING GASKET	69	SMS2107.69	BEARING
11	SMS2107.11	EYESHIELD BRACKET	41	SMS2107.41	DRIVER WORM GEAR	70	SMS2107.70	DRIVEN WORM SHAFT
12	SMS2107.12	EYESHIELD	42	SMS2107.42	PIN (4x22)	71	SMS2107.71	BEARING
13	SMS2107.13	FLAT WASHER (6mm)	43	SMS2107.43	PHILLIPS SCREW (c/w SPRING WASHER+WASHER) M4x8	72	SMS2107.72	LOCK WASHER (4mm)
14	SMS2107.14	HEX NUT (M4)	44	SMS2107.44	WORM GEAR SHAFT	73	SMS2107.73	GUARD RING (A)
15	SMS2107.15	HEX NUT (M6)	45	SMS2107.45	BUSHING	74	SMS2107.74	GUARD RING (B)
16	SMS2107.16	PHILLIPS SCREW (c/w SPRING WASHER) M6x18	46	SMS2107.46	GEAR BOX	75	SMS2107.75	PHILLIPS SCREW (M6x8)
17	SMS2107.17	LOCK NUT	47	SMS2107.47	EYESHIELD SUPPORT	76	SMS2107.76	ANGLE SCALE
18	SMS2107GW200W	WET STONE REPLACEMENT	48	SMS2107.48	RIGHT END CAP	77	SMS2107.77	CORD BUSHING
19	SMS2107.19	FLOW ADJUSTMENT LEVER	49	SMS2107.49	ROTOR	78	SMS2107.78	WAVEY WASHER
20	SMS2107.20	WATER CUP	50	SMS2107.50	STATOR	79	SMS2107.79	WIRE BUSHING
21	SMS2107.21	FLANGE	51	SMS2107.51	LEFT END CAP	80	SMS2107.80	HEX NUT (M12)
22	SMS2107.22	WET WHEEL GUARD COVER	52	SMS2107.52	PHILLIPS SCREW (c/w WASHER) M4x145	81	SMS2107.81	PIN (4x25)
23	SMS2107.23	HEX SOCKET SCREW (M6x45)	53	SMS2107.53	SPRING WASHER (8mm)	82	SMS2107.82	HEX SOCKET SCREW (M8x12)
24	SMS2107.24	NUT (M6)	54	SMS2107.54	TOOL REST	83	SMS2107.83	SPRING WASHER (5mm)
25	SMS2107.25	TOOL HOLDER REST	55	SMS2107.55	TOOL REST SUPPORT	84	SMS2107.84	PHILLIPS SCREW (M5x12)
26	SMS2107.26	TOOL HOLDER PLATE	56	SMS2107.56	FLAT WASHER (6mm)	85	SMS2107.85	SWITCH PLATE
27	SMS2107.27	TOOL HOLDER BASE	57	SMS2107.57	BASE	86	SMS2107.86	RUBBER SEAL GASKET (63x57)
28	SMS2107.28	HEX SOCKET SCREW (M8x25)	58	SMS2107.58	PHILLIPS SCREW (M5x8)	87	SMS2107.87	SPECIAL WRENCH
29	SMS2107.29	PIN (6x45)	59	SMS2107.59	SWITCH	88	SMS2107.88	INTERNAL HEX WRENCH
30	SMS2107.30	ADJUSTING ROD						

**NOTE:** It is our policy to continually improve products and as such we reserve the right to alter data, specifications and component parts without prior notice.

**IMPORTANT:** No liability is accepted for incorrect use of product.

**WARRANTY:** Guarantee is 12 months from purchase date, proof of which will be required for any claim.

**INFORMATION:** For a copy of our latest catalogue and promotions call us on 01284 757525 and leave your full name and address, including postcode.



Sole UK Distributor,  
Sealey Group, Kempson Way,  
Suffolk Business Park,  
Bury St Edmunds, Suffolk, IP32 7AR

01284 757500

01284 703534



[www.sealey.co.uk](http://www.sealey.co.uk)



[sales@sealey.co.uk](mailto:sales@sealey.co.uk)