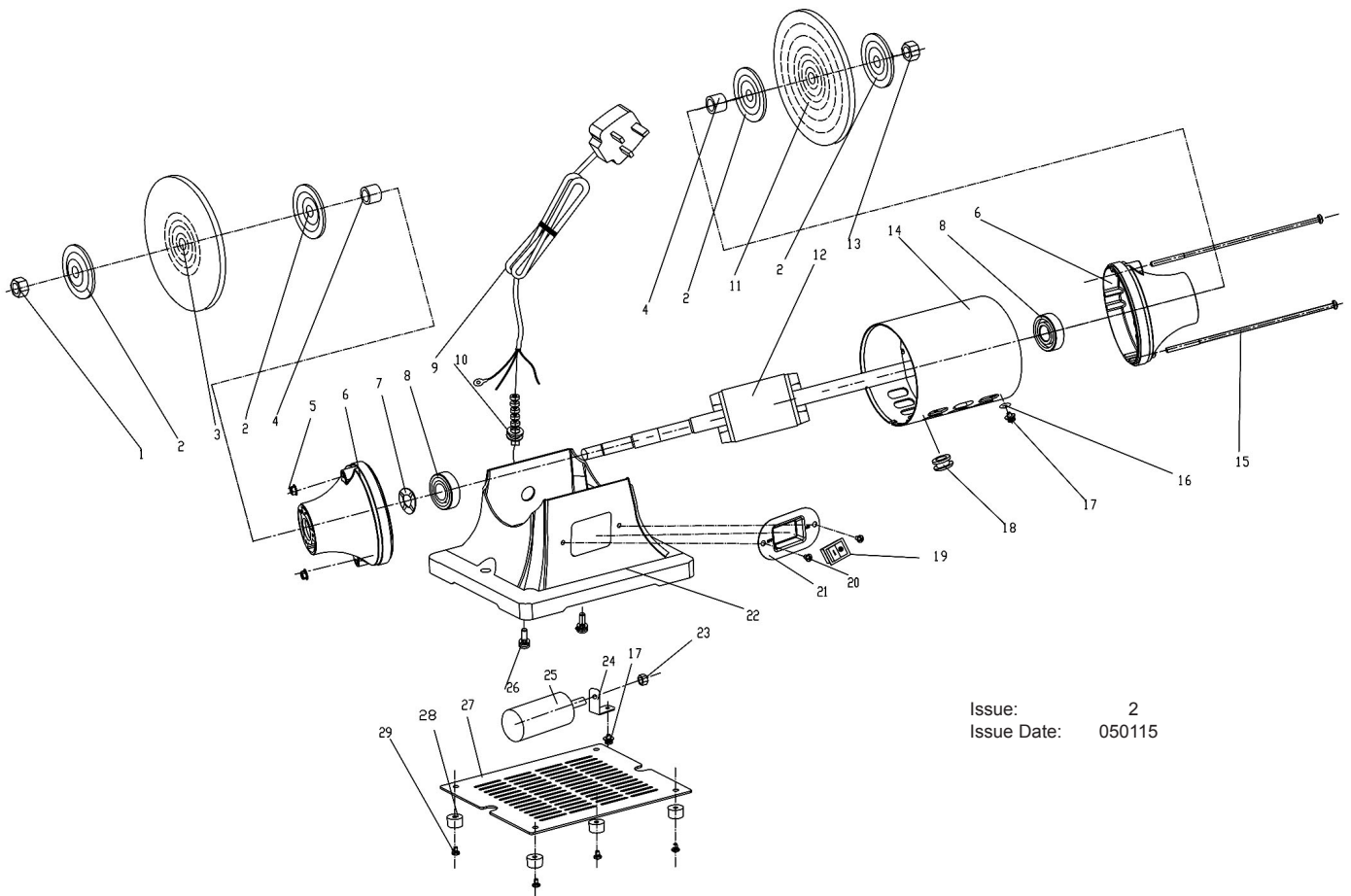




PARTS FOR:
BENCH MOUNTING DUFFER/POLISHER
150mm 370W / 230V
MODEL: BB1502



Issue: 2
 Issue Date: 050115

| ITEM | PART NO | DESCRIPTION | ITEM | PART NO | DESCRIPTION |
|------|-----------|--|------|-----------|--|
| 1 | BB1502.01 | HEX NUT (M12) | 16 | BB1502.16 | LOCKING WASHER (TOOTHED) |
| 2 | BB1502.02 | WHEEL FLANGE | 17 | BB1502.17 | PHILLIPS SCREW ASS'Y (M4x8) |
| 3 | BG150BWC | COARSE BUFFING WHEEL Ø150x13mm 13mm Bore | 18 | BB1502.18 | CORD BUSHING |
| 4 | BB1502.04 | SPACER | 19 | BB1502.19 | SWITCH |
| 5 | BB1502.05 | HEX NUT (M5) | 20 | BB1502.20 | PHILLIPS SCREW (M5x8) |
| 6 | BB1502.06 | END CAP | 21 | BB1502.21 | SWITCH PLATE |
| 7 | BB1502.07 | WAVY WASHER (35mm) | 22 | BB1502.22 | BASE |
| 8 | BB1502.08 | BEARING (6202) | 23 | BB1502.23 | HEX NUT (M8) |
| 9 | BB1502.09 | POWER CORD + PLUG | 24 | BB1502.24 | CAPACITOR SUPPORT |
| 10 | BB1502.10 | STRAIN RELIEF | 25 | BB1502.25 | CAPACITOR (6uF/450V) |
| 11 | BG150BW | BUFFING WHEEL Ø150x13mm 13mm Bore | 26 | BB1502.26 | PHILLIPS SCREW (c/w SPRING WASHER) M6x20 |
| 12 | BB1502.12 | ROTOR | 27 | BB1502.27 | BASE COVER |
| 13 | BB1502.13 | HEX NUT (M12) | 28 | BB1502.28 | RUBBER FOOT |
| 14 | BB1502.14 | STATOR | 29 | BB1502.29 | PHILLIPS SCREW (c/w FLAT WASHER) M4x12 |
| 15 | BB1502.15 | PHILLIPS SCREW (c/w WASHER) M5x200 | | | |

NOTE: It is our policy to continually improve products and as such we reserve the right to alter data, specifications and component parts without prior notice.

IMPORTANT: No liability is accepted for incorrect use of product.

WARRANTY: Guarantee is 12 months from purchase date, proof of which will be required for any claim.

INFORMATION: For a copy of our latest catalogue and promotions call us on 01284 757525 and leave your full name and address, including postcode.



Sole UK Distributor,
 Sealey Group, Kempson Way,
 Suffolk Business Park,
 Bury St Edmunds, Suffolk, IP32 7AR



01284 757500



01284 703534



www.sealey.co.uk



sales@sealey.co.uk