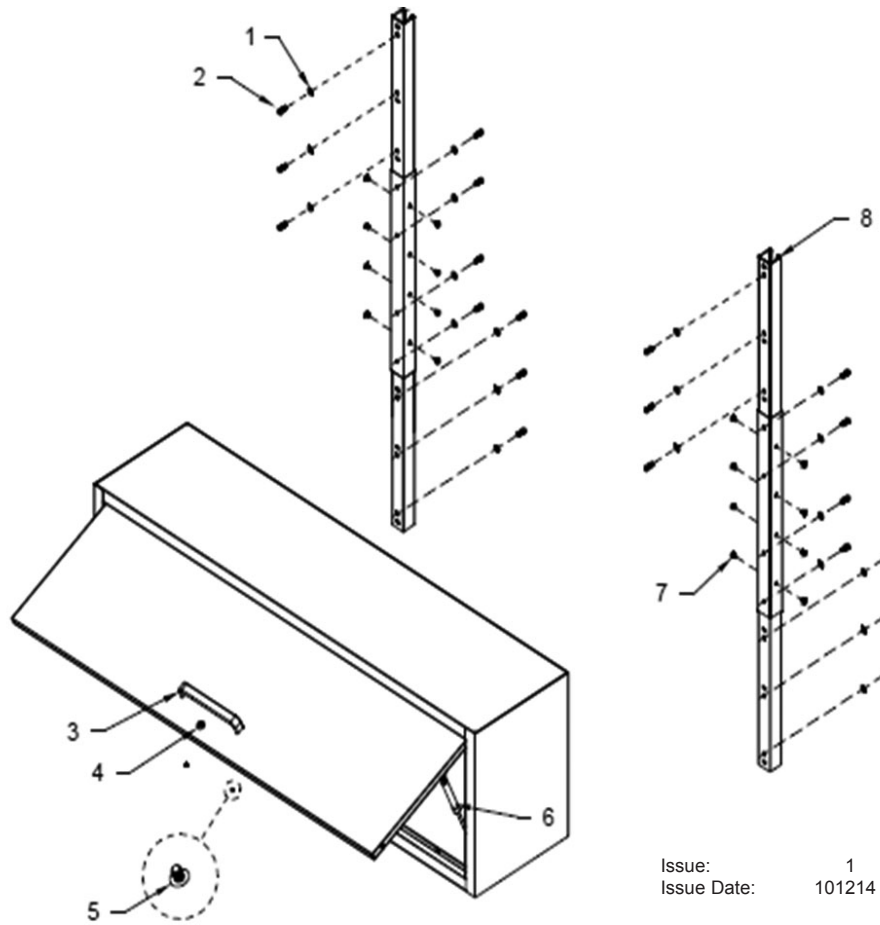




PARTS FOR:  
**MODULAR WALL CABINET**  
**1550mm HEAVY-DUTY**  
MODEL: **APMS14**



Issue: 1  
Issue Date: 101214

ITEM	PART NO	DESCRIPTION
1	APMS-324006	WASHER M8
2	APMS-320113	HEXAGON SOCKET HEAD CAP SCREW M8x20
3	APMS-301650	HANDLE
4	APMS-304007	LOCK
5	APMS-320060	BOLT, PHILLIPS HEAD M4x5
6	APMS-303077	GAS STRUT
7	APMS-320023	PHILLIPS HEAD BOLT M6x12
8	APMS-110231	POST

**NOTE:** It is our policy to continually improve products and as such we reserve the right to alter data, specifications and component parts without prior notice.

**IMPORTANT:** No liability is accepted for incorrect use of product.

**WARRANTY:** Guarantee is 12 months from purchase date, proof of which will be required for any claim.

**INFORMATION:** For a copy of our latest catalogue and promotions call us on 01284 757525 and leave your full name and address, including postcode.



Sole UK Distributor,  
Sealey Group, Kempson Way,  
Suffolk Business Park,  
Bury St Edmunds, Suffolk, IP32 7AR



01284 757500



01284 703534



[www.sealey.co.uk](http://www.sealey.co.uk)



[sales@sealey.co.uk](mailto:sales@sealey.co.uk)