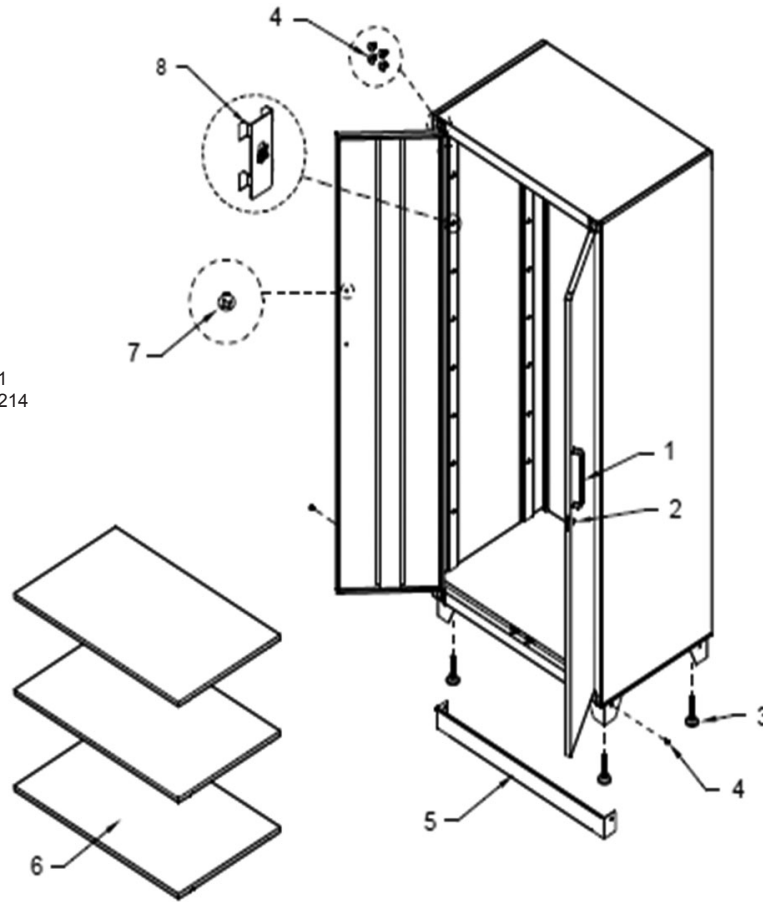




PARTS FOR:
**MODULAR FLOOR FULL HEIGHT FLOOR
CABINET 930mm HEAVY-DUTY**
MODEL: **APMS05**

Issue: 1
Issue Date: 101214



ITEM	PART NO	DESCRIPTION
1	APMS-301650	HANDLE
2	APMS-304007	LOCK
3	APMS-313004	ADJUSTABLE FOOT
4	APMS-320323	SCREW, PHILLIPS PAN HEAD M6x12
5	APMS-220617	CABINET SUPPORT
6	APMS-220529	SHELF
7	APMS-320060	BOLT, PHILLIPS HEAD M4x5
8	APMS-226078	SUPPORT, SHELF

NOTE: It is our policy to continually improve products and as such we reserve the right to alter data, specifications and component parts without prior notice.

IMPORTANT: No liability is accepted for incorrect use of product.

WARRANTY: Guarantee is 12 months from purchase date, proof of which will be required for any claim.

INFORMATION: For a copy of our latest catalogue and promotions call us on 01284 757525 and leave your full name and address, including postcode.



Sole UK Distributor,
Sealey Group, Kempson Way,
Suffolk Business Park,
Bury St Edmunds, Suffolk, IP32 7AR



01284 757500



01284 703534



www.sealey.co.uk



sales@sealey.co.uk