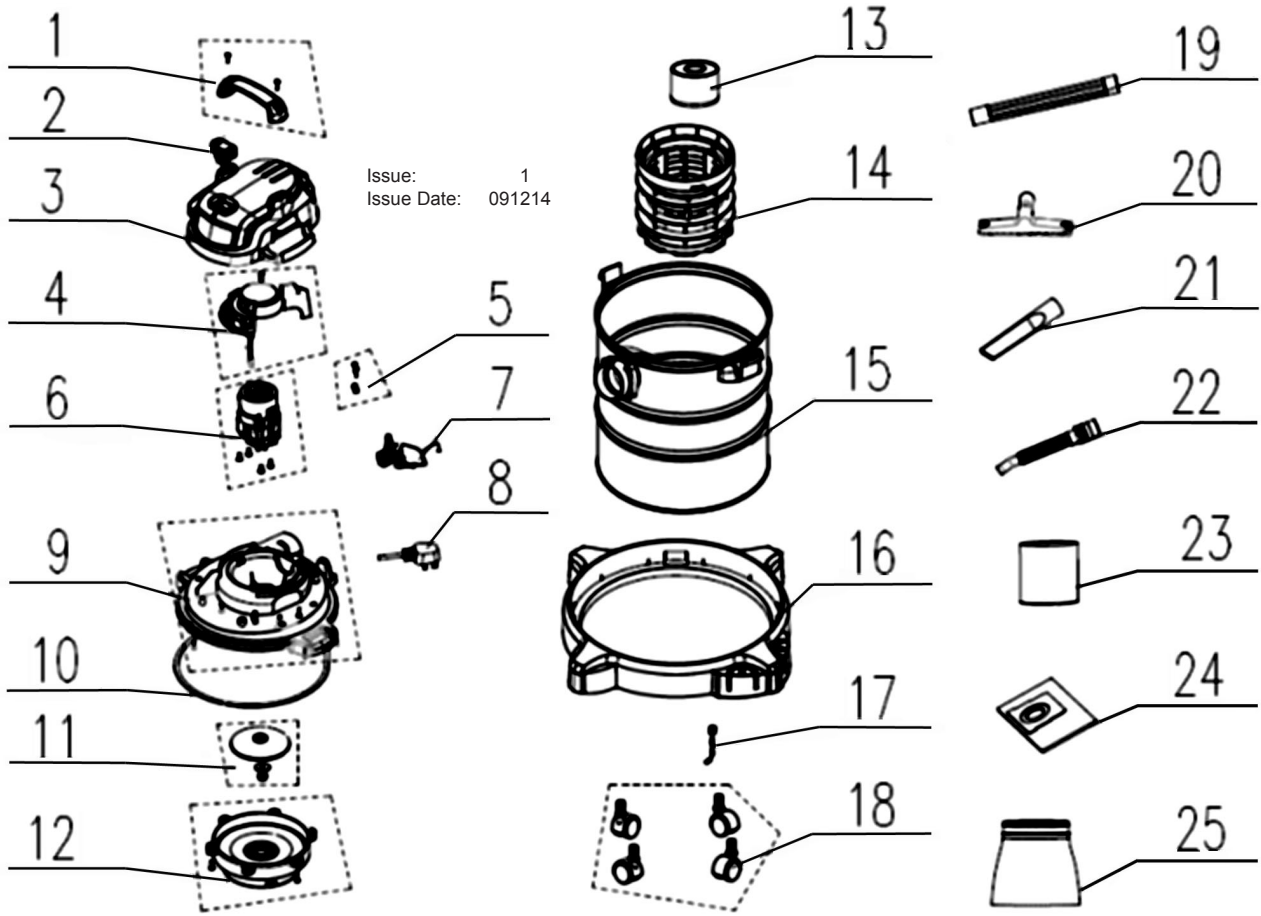




PARTS FOR:
20ltr WET & DRY VACUUM CLEANER 1250W
STAINLESS BIN
 MODEL: **PC195SD**



Issue: 1
 Issue Date: 091214

ITEM	PART NO	DESCRIPTION	ITEM	PART NO	DESCRIPTION
1	PC195SD.01	TOP HANDLE	14	PC195SD.14	FILTER BASKET
2	PC195SD.02	SWITCH	15	PC195SD.15	STAINLESS STEEL TANK 20ltr
3	PC195SD.03	UPPER COVER	16	PC195SD.16	BASE
4	PC195SD.04	BLOWER CONNECTION	17	PC195SD.17	CHAIN
5	PC195SD.05	CABLE GRIP	18	PC195SD.18	CASTOR
6	PC195SD.06	MOTOR	19	PC195SD.19	EXTENSION TUBE
7	PC195SD.07	INDUCTANCE	20	PC195SD.20	FLOOR NOZZLE
8	PC195SD.08	CABLE (c/w PLUG)	21	PC195SD.21	CREVICE TOOL
9	PC195SD.09	LOWER COVER	22	PC195SD.22	HOSE
10	PC195SD.10	LOWER COVER SEAL	23	PC200FF10	FOAM FILTER (pack of 10)
11	PC195SD.11	IMPELLER	24	PC200.14	FOAM FILTER (SINGLE)
12	PC195SD.12	WATER TRAY	25	PC200PB5	DUST COLLECTION BAG (pack of 5)
13	PC195SD.13	FLOATING CUP			

NOTE: It is our policy to continually improve products and as such we reserve the right to alter data, specifications and component parts without prior notice.

IMPORTANT: No liability is accepted for incorrect use of product.

WARRANTY: Guarantee is 12 months from purchase date, proof of which will be required for any claim.

INFORMATION: For a copy of our latest catalogue and promotions call us on 01284 757525 and leave your full name and address, including postcode.



Sole UK Distributor,
 Sealey Group, Kempson Way,
 Suffolk Business Park,
 Bury St Edmunds, Suffolk, IP32 7AR



01284 757500



01284 703534



www.sealey.co.uk



sales@sealey.co.uk