

350mm (14") CHOP SAW

■ STOCK No.52623. (230V)
55809. (110V)

■ PART No.CS14A.

SPARE PARTS LISTING

05/2001

KEY No.	PART No.	STOCK No.	DESCRIPTION
1	Y302002-000	53555	Rubber foot
2	Y020102-008	53556	Screw
3	Y021101-003	53557	Washer
4	Y270349-000	53558	Slide plate
5	Y270347-000	53559	Metal foot
6	Y260063-000	53560	Base
7	Y290034-000	53561	Hex wrench
8	Y270348-000	53562	Fence
9	Y021109-011	53563	Washer
10	Y021205-001	53564	Spring washer
11	Y020320-001	53565	Screw
12	Y900436-003	53566	Clamp assembly
13	Y021204-001	33162	Spring washer
14	Y020306-005	53567	Screw
15	Y270359-000	53569	Side cover
16	Y270350-000	53570	Index pointer
17	Y020103-013	53571	Screw
18	Y240047-000	53572	Bracket
19	Y022108-001	33192	Nut
20	Y290098-000	53573	Shaft
21	Y330035-000	57662	Knob
22	Y130060-000	53575	Pin
23	Y025102-002	53577	O-ring
24	Y020504-001	53578	Screw
25	Y029212-001	53579	Spring
26	Y022116-001	53580	Nut
27	Y020314-001	53581	Screw
28	Y021204-001	33162	Spring washer
29	Y020606-003	53582	Screw
30	Y021204-001	33162	Spring washer
31	Y020306-011	33161	Screw
32	Y990032-003	53583	Motor assembly
33	Y900442-000	53585	Upper guard assembly
34	Y020725-005	53586	Screw and washer
35	Y270351-000	53587	Flange
36	See Draper Catalogue		Blade
37	Y290102-000	53588	Arbor washer
38	Y021205-001	53589	Spring washer
39	Y020320-001	53590	Arbor screw
40	Y023206-001	53591	Circlip
41	Y023110-001	53593	Circlip
42	Y290103-000	53594	Pin
43	Y270354-000	53595	Bracket
44	Y290044-000	53596	Screw shaft
45	Y240044-000	53597	Mounting bracket
47	Y290107-000	53598	Crank handle
48	Y303278-000	53599	Crank
49	Y026102-009	53600	Pin
50	Y290105-000	53601	Pin
51	Y240046-000	53602	Clutch
52	Y270353-000	53603	Spring plate
53	Y020704-002	53604	Screw and washer
54	Y330003-001	53605	Grommet
55	Y020106-013	53606	Screw
56	Y021308-001	53607	Lock washer
57	Y020200-006	53608	Screw
58	Y270344-000	53610	Cover plate
59	Y375001-001	56467	Brush assembly (230V)

KEY No.	PART No.	STOCK No.	DESCRIPTION
59	Y375001-000	52465	Brush assembly (110V)
60	Y303004-000	52466	Brush cover
61	Y170014-001	56469	Field motor assembly (230V)
61	Y170014-002	56468	Field motor assembly (110V)
62	Y330036-000	53612	Bearing cover
63	Y050004-300	52524	Ball bearing
64	Y160011-002	56470	Armature (230V)
64	Y160011-001	53613	Armature (110V)
65	Y020702-007	53614	Screw
66	Y270026-000	52522	Bearing retainer
67	Y050004-300	52524	Ball bearing
68	Y225145-001	57663	Gear housing
69	Y020704-011	53616	Screw and washer
70	Y330035-000	53574	Knob
71	Y023201-001	53618	Circlip
72	Y029122-001	53619	Spring
73	Y290097-000	53620	Spindle lock
74	Y050036-000	53621	Ball bearing
75	Y027201-001	52512	Key
76	Y110023-000	57664	Gear
77	Y303345-000	57665	Gear bracket
78	Y023101-001	52514	Circlip
79	Y021511-000	53624	Fibre washer
80	Y050005-100	52513	Ball bearing
81	Y131034-000	53626	Spindle
82	Y028930-001	52490	Screw
83	YH05VVF3	52960	Moulded plug and cable (230V)
83	Y900439	56471	Power cable (110V)
84	Y303006-000	52519	Cable clamp
85	Y020200-006	53608	Screw
86	Y022100-001	52551	Nut
87	Y364011-002	52549	Connector
88	Y029715-001	52537	Spring
89	Y303248-001	53627	Lock button
90	Y301022-000	53628	Right handle
91	Y303223-000	52547	Switch
92	Y020200-003	52520	Screw
93	Y303265-000	53629	Actuator switch
94	Y301009-000	53630	Left handle
95	Y020701-017	52550	Screw and washer
96	Y270355-000	53631	Upper guard
96A	Y900540-000	54610	Filter (not illustrated)
97	Y330027-000	53632	Bumper
98	Y022704-001	53634	Special nut
99	Y303210-000	53635	Bushing
100	Y270356-000	53636	Rotating guard
101	Y028947-000	53637	Bolt
102	Y028939-000	53638	Bolt
103	Y021415-001	53639	Waver washer
104	Y021120-008	53640	Washer
105	Y022400-000	53642	Nut
106	Y330038-000	53643	Rubber stop
107	Y900609-000	56472	Suppressor (110V)
107	Y900540-00	56410	Suppressor (230V)
108	Y020200-006	54985	Screw
109	Y379000-000	54986	Ring
110	Y029801-001	52563	Connector seat (230V)
110	Y080321-016	56473	Connector seat (110V)

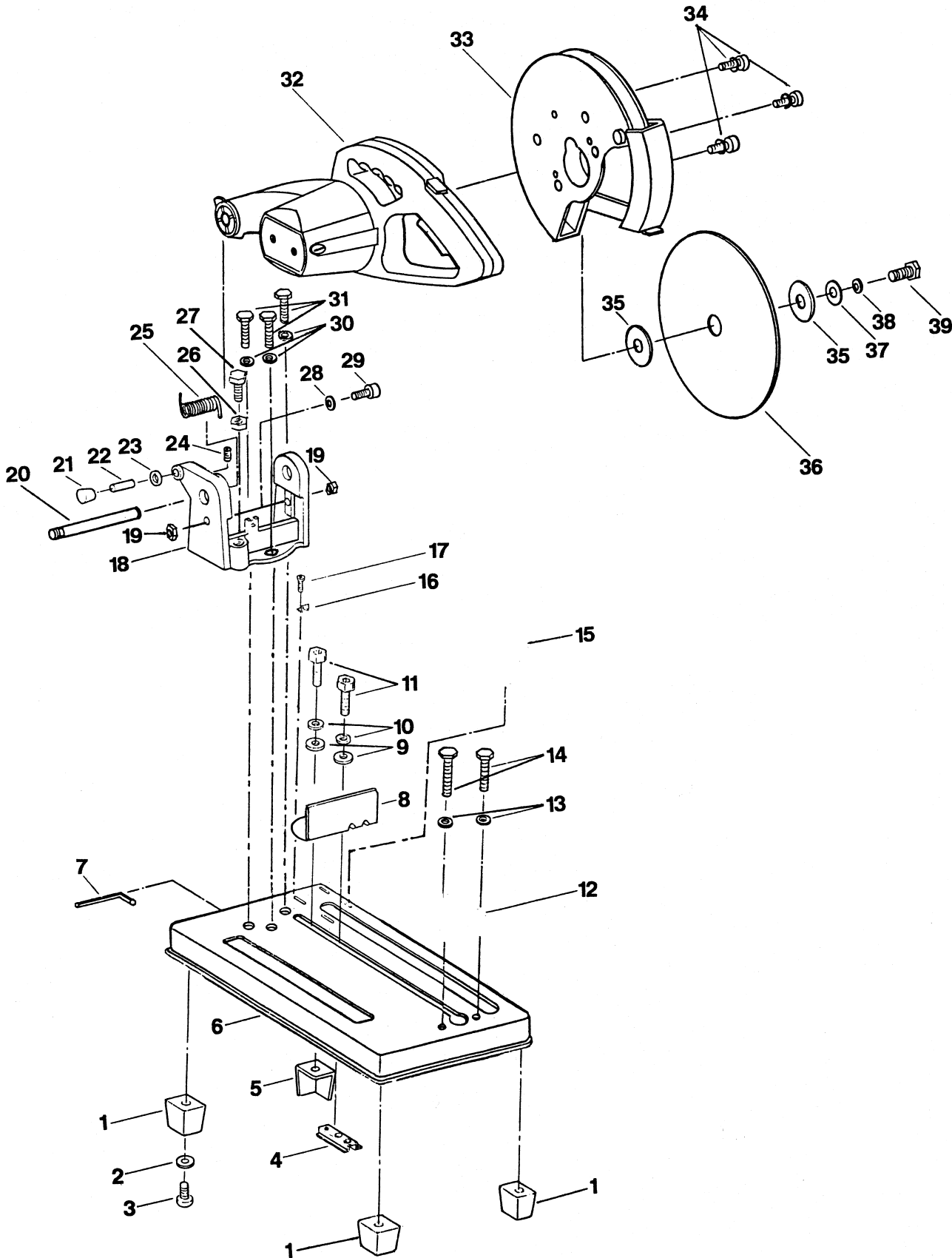
350mm (14") CHOP SAW

■ STOCK No.52623. (230V)
55809. (110V)

■ PART No.CS14A.

PARTS DRAWING

05/2001



Helpline: (023) 8049 4344. Sales Desk: (023) 8049 4333. General Enquiries: (023) 8026 6355.

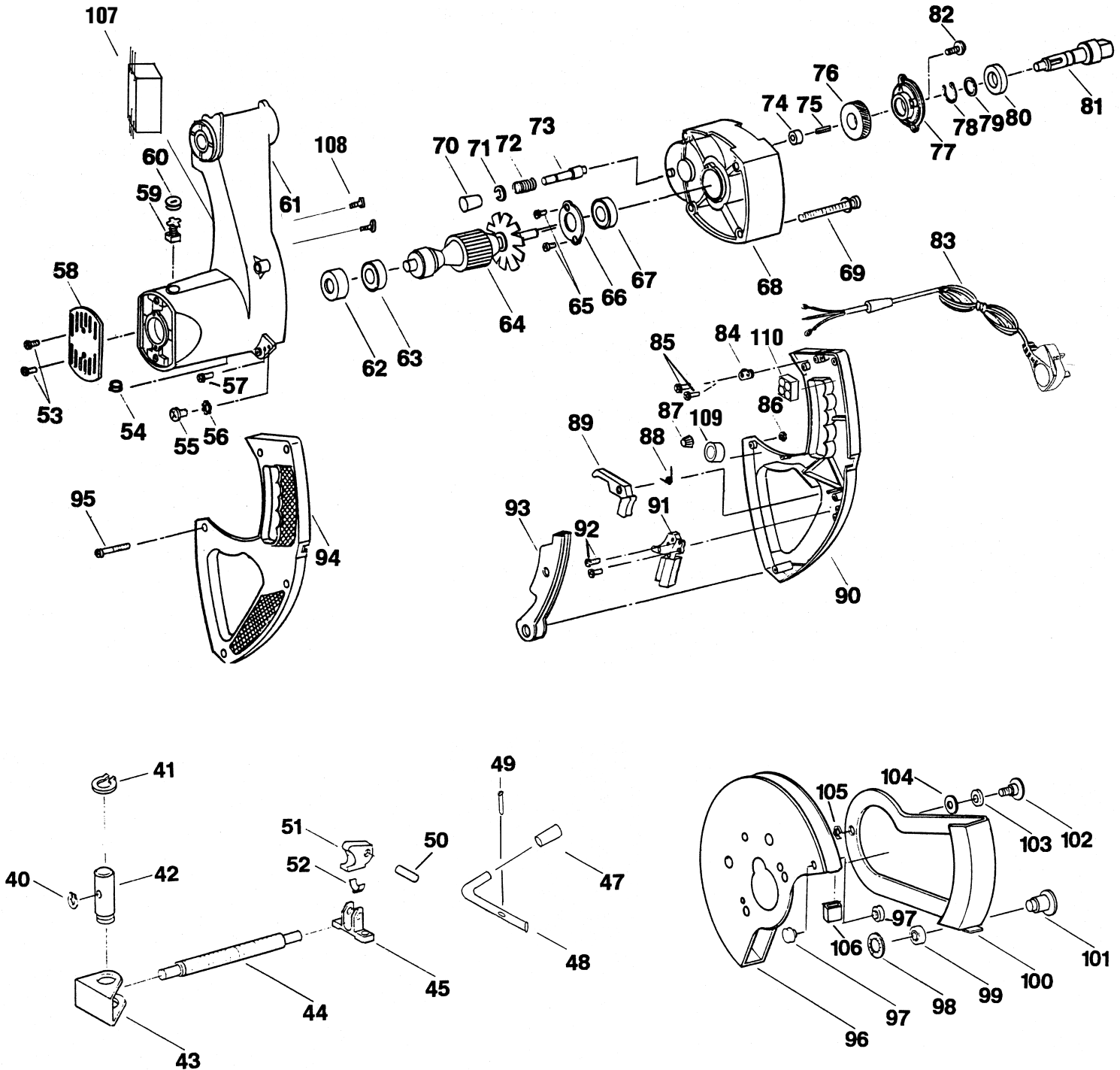
350mm (14") CHOP SAW

■ STOCK No.52623. (230V)
55809. (110V)

■ PART No.CS14A.

PARTS DRAWING

05/2001



Helpline: (023) 8049 4344. Sales Desk: (023) 8049 4333. General Enquiries: (023) 8026 6355.