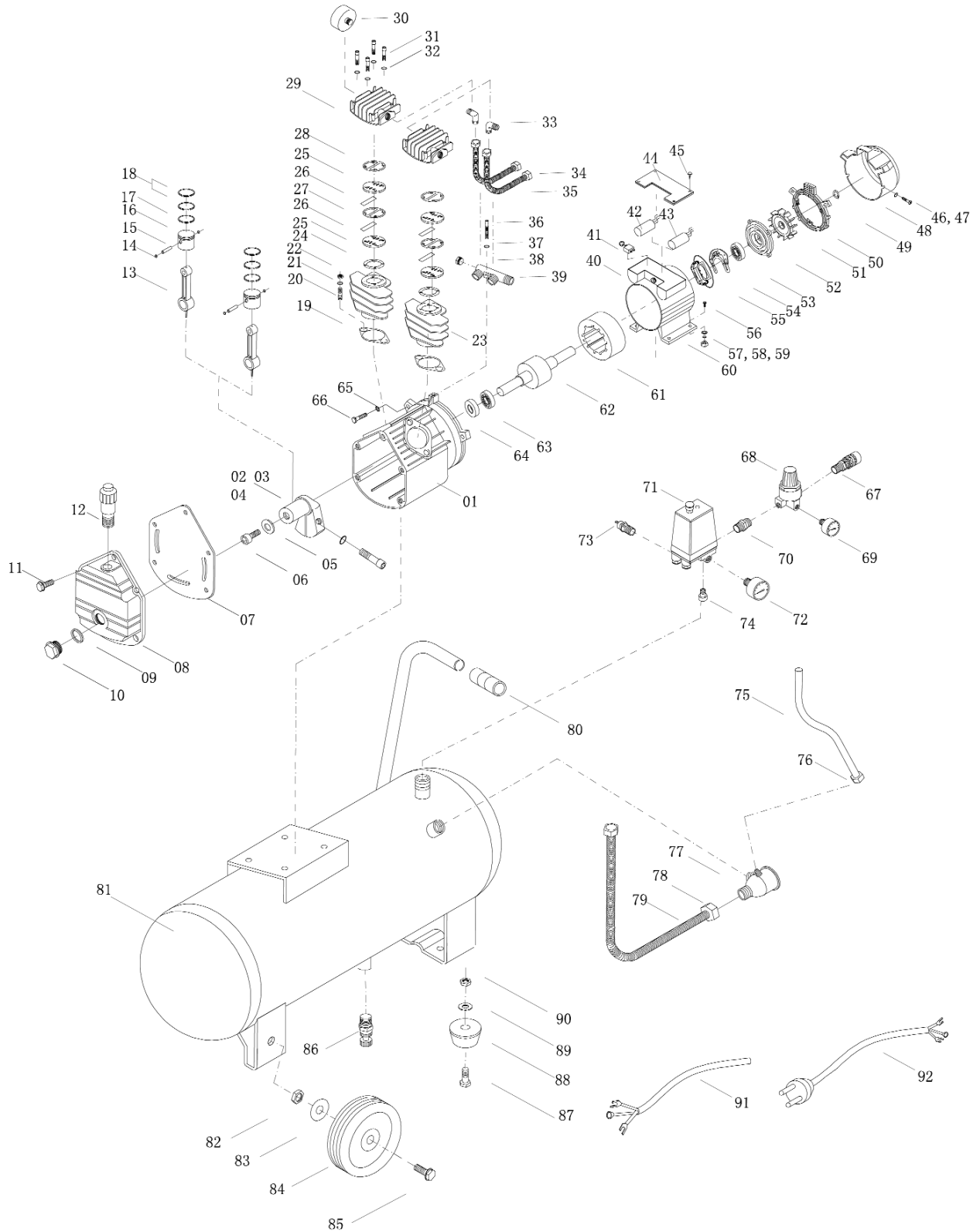




PARTS FOR :  
**COMPRESSOR 100LTR V-TWIN DIRECT DRIVE 3HP**  
MODEL : **SAC10030VE**



ISSUE : 1  
ISSUE DATE : 16/01/14

**NOTE:** It is our policy to continually improve products and as such we reserve the right to alter data, specifications and component parts without prior notice.

**IMPORTANT:** No liability is accepted for incorrect use of product.

**WARRANTY:** Guarantee is 12 months from purchase date, proof of which will be required for any claim.

**INFORMATION:** For a copy of our latest catalogue and promotions call us on 01284 757525 and leave your full name and address, including postcode.



Sole UK Distributor,  
Sealey Group, Kempson Way,  
Suffolk Business Park,  
Bury St Edmunds, Suffolk, IP32 7AR



01284 757500



01284 703534



[www.sealey.co.uk](http://www.sealey.co.uk)



[sales@sealey.co.uk](mailto:sales@sealey.co.uk)



PARTS FOR :  
**COMPRESSOR 100LTR V-TWIN DIRECT DRIVE 3HP**  
MODEL : **SAC10030VE**

| ITEM | PART NO       | DESCRIPTION           | ITEM | PART NO       | DESCRIPTION          |
|------|---------------|-----------------------|------|---------------|----------------------|
| 1    | SAC10030VE.01 | CRANKCASE             | 47   | SAC10030VE.47 | BOLT                 |
| 2    | SAC10030VE.02 | CRANK SHAFT           | 48   | SAC10030VE.48 | FAN COVER            |
| 3    | SAC10030VE.03 | SPRING                | 49   | SAC10030VE.49 | CIRCLIP              |
| 4    | SAC10030VE.04 | BOLT                  | 50   | SAC10030VE.50 | FAN PLATE            |
| 5    | SAC10030VE.05 | WASHER                | 51   | SAC10030VE.51 | FAN                  |
| 6    | SAC10030VE.06 | BOLT                  | 52   | SAC10030VE.52 | REAR BEARING CRANK   |
| 7    | SAC10030VE.07 | RUBBER GASKET         | 53   | SAC10030VE.53 | BEARING              |
| 8    | SAC10030VE.08 | CRANKCASE COVER       | 54   | SAC10030VE.54 | CENTRIFUGAL FILM     |
| 9    | SAC10030VE.09 | WASHER                | 55   | SAC10030VE.55 | CENTRIFUGAL SWITCH   |
| 10   | SAC10030VE.10 | OIL SIGHT GLASS       | 56   | SAC10030VE.56 | BOLT                 |
| 11   | SAC10030VE.11 | BOLT                  | 57   | SAC10030VE.57 | WASHER               |
| 12   | SAC10030VE.12 | BREATHER              | 58   | SAC10030VE.58 | SPRING WASHER        |
| 13   | SAC10030VE.13 | CONNECTING ROD        | 59   | SAC10030VE.59 | NUT                  |
| 14   | SAC10030VE.14 | CIRCLIP               | 60   | SAC10030VE.60 | ELECTRICITY CYLINDER |
| 15   | SAC10030VE.15 | PISTON PIN            | 61   | SAC10030VE.61 | STATOR               |
| 16   | SAC10030VE.16 | PISTON                | 62   | SAC10030VE.62 | ROTOR                |
| 17   | SAC10030VE.17 | PISTON RING           | 63   | SAC10030VE.63 | BEARING              |
| 18   | SAC10030VE.18 | PISTON RING           | 64   | SAC10030VE.64 | OIL SEALING          |
| 19   | SAC10030VE.19 | CRANKCASE GASKET      | 65   | SAC10030VE.65 | SPRING WASHER        |
| 20   | SAC10030VE.20 | BOLT                  | 66   | SAC10030VE.66 | BOLT                 |
| 21   | SAC10030VE.21 | SPRING WASHER         | 67   | SAC10030VE.67 | QUICK COUPLER        |
| 22   | SAC10030VE.22 | NUT                   | 68   | SAC10030VE.68 | REGULATOR            |
| 23   | SAC10030VE.23 | CYLINDER              | 69   | SAC10030VE.69 | PRESSURE GAUGE       |
| 24   | SAC10030VE.24 | CYLINDER GASKET       | 70   | SAC10030VE.70 | CONNECTOR            |
| 25   | SAC10030VE.25 | VALVE PLATE           | 71   | SAC10030VE.71 | PRESSURE SWITCH      |
| 26   | SAC10030VE.26 | VALVE REED            | 72   | SAC10030VE.72 | PRESSURE GAUGE       |
| 27   | SAC10030VE.27 | VALVE GASKET          | 73   | SAC10030VE.73 | SAFETY VALVE         |
| 28   | SAC10030VE.28 | CYLINDER HEAD GASKET  | 74   | SAC10030VE.74 | CONNECTOR            |
| 29   | SAC10030VE.29 | CYLINDER HEAD         | 75   | SAC10030VE.75 | UNLOADING PIPE       |
| 30   | SAC10030VE.30 | AIR FILTER            | 76   | SAC10030VE.76 | UNLOADING NUT        |
| 31   | SAC10030VE.31 | BOLT                  | 77   | SAC10030VE.77 | CHECK VALVE          |
| 32   | SAC10030VE.32 | SPRING WASHER         | 78   | SAC10030VE.78 | EXHAUST NUT          |
| 33   | SAC10030VE.33 | ELBOW                 | 79   | SAC10030VE.79 | EXHAUST PIPE         |
| 34   | SAC10030VE.34 | EXHAUST NUT           | 80   | SAC10030VE.80 | HANDLE GRIP          |
| 35   | SAC10030VE.35 | EXHAUST PIPE          | 81   | SAC10030VE.81 | TANK 100LTR          |
| 36   | SAC10030VE.36 | BOLT                  | 82   | SAC10030VE.82 | NUT                  |
| 37   | SAC10030VE.37 | SPRING WASHER         | 83   | SAC10030VE.83 | WASHER               |
| 38   | SAC10030VE.38 | NUT                   | 84   | SAC10030VE.84 | WHEEL                |
| 39   | SAC10030VE.39 | MANIFOLD              | 85   | SAC10030VE.85 | WHEEL BOLT           |
| 40   | SAC10030VE.40 | ELECTRIC CAPACITY BOX | 86   | SAC10030VE.86 | DRAIN VALVE          |
| 41   | SAC10030VE.41 | OVERLOAD PROTECTOR    | 87   | SAC10030VE.87 | BOLT                 |
| 42   | SAC10030VE.42 | CAPACITOR             | 88   | SAC10030VE.88 | CUSHION FOOT         |
| 43   | SAC10030VE.43 | CAPACITOR             | 89   | SAC10030VE.89 | WASHER               |
| 44   | SAC10030VE.44 | CAPACITY BOX COVER    | 90   | SAC10030VE.90 | NUT                  |
| 45   | SAC10030VE.45 | BOLT                  | 91   | SAC10030VE.91 | ELECTRICAL WIRE      |
| 46   | SAC10030VE.46 | WASHER                | 92   | SAC10030VE.92 | PLUG                 |

ISSUE : 1  
ISSUE DATE : 16/01/14

**NOTE:** It is our policy to continually improve products and as such we reserve the right to alter data, specifications and component parts without prior notice.

**IMPORTANT:** No liability is accepted for incorrect use of product.

**WARRANTY:** Guarantee is 12 months from purchase date, proof of which will be required for any claim.

**INFORMATION:** For a copy of our latest catalogue and promotions call us on 01284 757525 and leave your full name and address, including postcode.



Sole UK Distributor,  
Sealey Group, Kempson Way,  
Suffolk Business Park,  
Bury St Edmunds, Suffolk, IP32 7AR



01284 757500



01284 703534



[www.sealey.co.uk](http://www.sealey.co.uk)



[sales@sealey.co.uk](mailto:sales@sealey.co.uk)