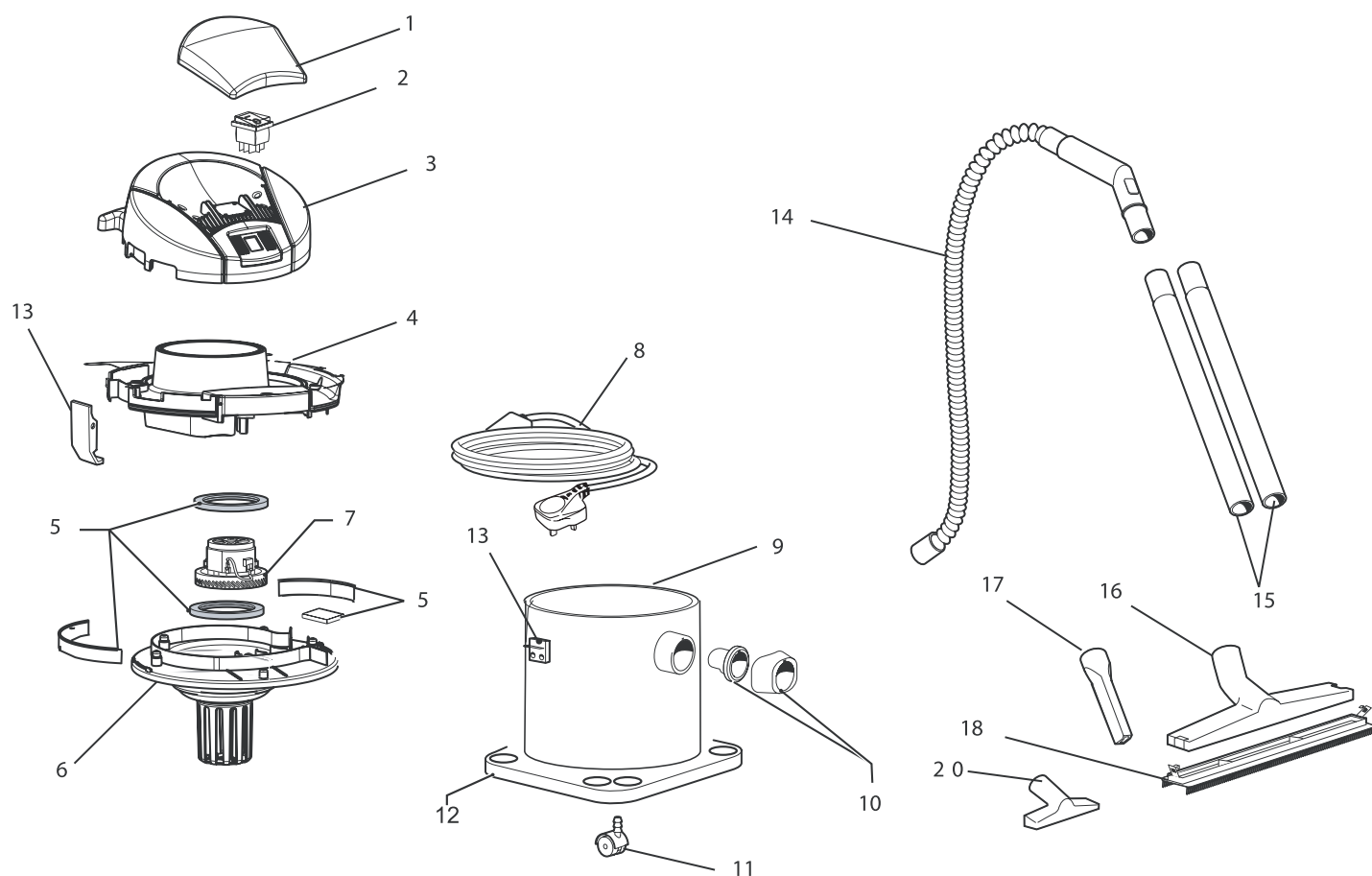


DRAPER®

SPARE PARTS LISTING & DRAWING SHEET FOR

1400W 230V 30L Wet & Dry Vacuum Cleaner

Stock No.48498 Part No.WDV30SS



KEY No.	PART No.	STOCK No.	DESCRIPTION
1	Y4.208.0406	48794	Handle.
2	Y5.009.0213	48795	Switch.
3	Y4.208.0405	48796	Upper housing.
4	Y4.208.0352	48797	Centre housing.
5	Y6.205.0081	48798	Seal kit.
6	Y5.211.0049	48799	Cap.
7	Y3.755.X071	48800	Motor.
8	Y4.012.0097	48801	Plug and cable.
9	Y3.751.0011	48805	Tank.
10	Y6.205.0022	48806	Deflector and nozzle kit.

KEY No.	PART No.	STOCK No.	DESCRIPTION
11	Y3.754.0199	48803	Wheel.
12	Y3.752.0198	48807	Base housing.
13	Y3.752.0045	48808	Hook.
14	AVC34	48544	Hose.
15	AVC36	48546	Extension hose.
16	AVC38	48548	Floor head.
17	AVC40	48550	Crevice nozzle.
18	AVC42	48552	Floor liquid insert.
20	AVC41	48551	Upholstery nozzle.

Helpline: (023) 8049 4344. Sales Desk: (023) 8049 4333. General Enquiries: (023) 8026 6355.

DRAPER TOOLS LTD, HURSLEY ROAD, CHANDLER'S FORD, EASTLEIGH, HANTS. SO53 1YF. U.K. internet: www.draper.co.uk e-mail: sales@drapertools.com

RWMC020508