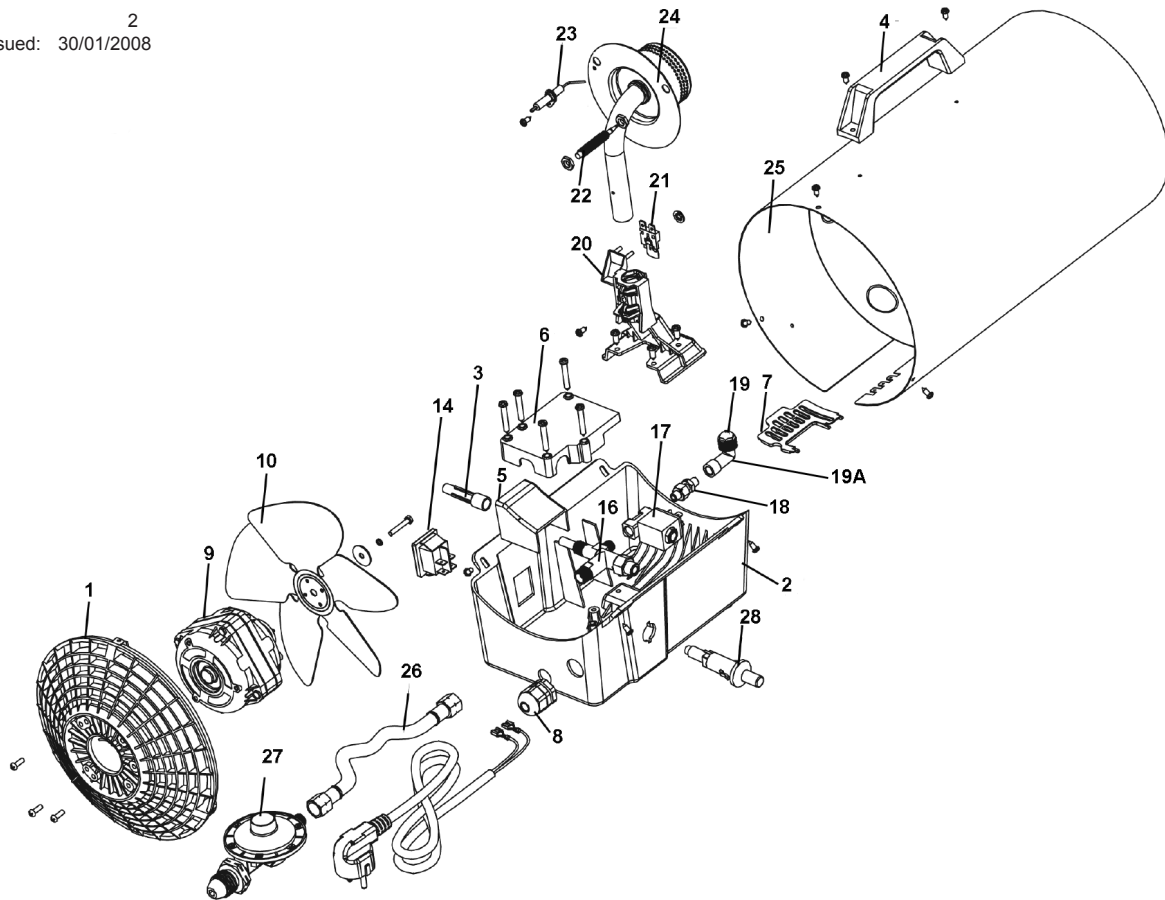


Models: LP351, LP351S, LP451, LP451S, LP601, LP601S

Issue: 2
Date Issued: 30/01/2008



ITEM	LP351	LP351S	LP451	LP451S	LP601	LP601S	DESCRIPTION
1	LP351.01	LP351.01	LP351.01	LP351.01	LP351.01	LP351.01	MOTOR GRID
2	LP351.02	LP351.02	LP351.02	LP351.02	LP351.02	LP351.02	CHAMBER
3	LP351.03	LP351.03	LP351.03	LP351.03	LP351.03	LP351.03	IGNITION BUTTON
4	LP351.04	LP351.04	LP351.04	LP351.04	LP351.04	LP351.04	HANDLE
5	LP351.05	LP351.05	LP351.05	LP351.05	LP351.05	LP351.05	COVER
6	LP351.06	LP351.06	LP351.06	LP351.06	LP351.06	LP351.06	POSITIONING COVER
7	LP351.07	LP351.07	LP351.07	LP351.07	LP351.07	LP351.07	PROTECTING COVER
8	LP351.08	LP351.08	LP351.08	LP351.08	LP351.08	LP351.08	POWER CORD FASTENER
9	LP351.09	LP351.09	LP351.09	LP351.09	LP351.09	LP351.09	MOTOR
10	LP351.10	LP351.10	LP351.10	LP351.10	LP351.10	LP351.10	FAN
14	LP351.14	LP351.14	LP351.14	LP351.14	LP351.14	LP351.14	ON-OFF SWITCH
16	LP351.16	LP351.16	LP351.16	LP351.16	LP351.16	LP351.16	GAS CONTROL VALVE
17	LP351.17	LP351.17	LP351.17	LP351.17	LP351.17	LP351.17	SOLENOID VALVE
18	LP351.18	LP351.18	LP351.18	LP351.18	LP351.18	LP351.18	CONNECTING THREAD BAR
19	LP351.19	LP351.19	LP451.19	LP451.19	LP351.19	LP351.19	NOZZLE
19A	LP351.19-A	LP351.19-A	LP351.19-A	LP351.19-A	LP351.19-A	LP351.19-A	ELBOW
20	LP351.20	LP351.20	LP351.20	LP351.20	LP351.20	LP351.20	BURNER STAND
21	LP351.21	LP351.21	LP351.21	LP351.21	LP351.21	LP351.21	THERMOSTAT
22	LP351.22	LP351.22	LP351.22	LP351.22	LP351.22	LP351.22	THERMO-ELEMENT
23	LP351.23	LP351.23	LP351.23	LP351.23	LP351.23	LP351.23	IGNITING ELECTRODE
24	LP351.24	LP351.24	LP351.24	LP351.24	LP351.24	LP351.24	BURNER SET
25	LP351.25	LP351S.25	LP451.25	LP451S.25	LP451.25	LP451S.25	HOUSING ASSEMBLY
26	LP351.26	LP351.26	LP351.26	LP351.26	LP351.26	LP351.26	GAS HOSE (OPTIONAL)
27	LP351.27	LP351.27	LP351.27	LP351.27	LP601.27	LP601.27	REGULATOR (OPTIONAL)
28	LP351.28	LP351.28	LP351.28	LP351.28	LP351.28	LP351.28	PIEZO IGNITOR

NOTE: It is our policy to continually improve products and as such we reserve the right to alter data, specifications and component parts without prior notice.

IMPORTANT: No liability is accepted for incorrect use of product.

WARRANTY: Guarantee is 12 months from purchase date, proof of which will be required for any claim.

INFORMATION: For a copy of our latest catalogue and promotions call us on 01284 757525 and leave your full name and address, including postcode.