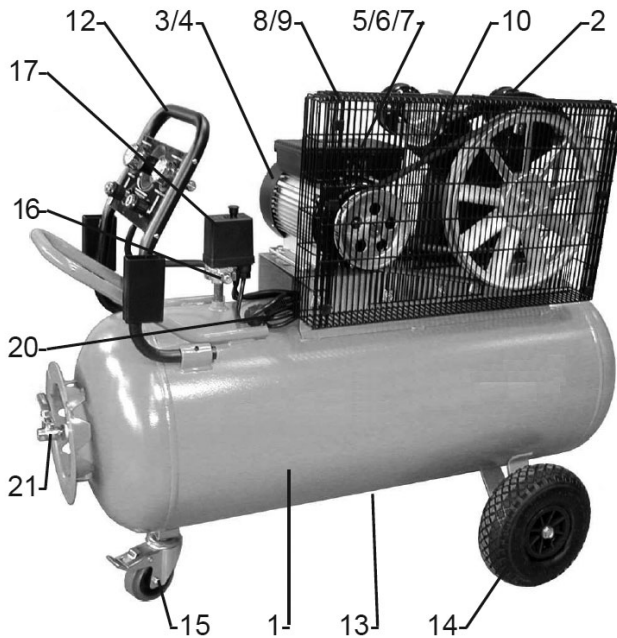
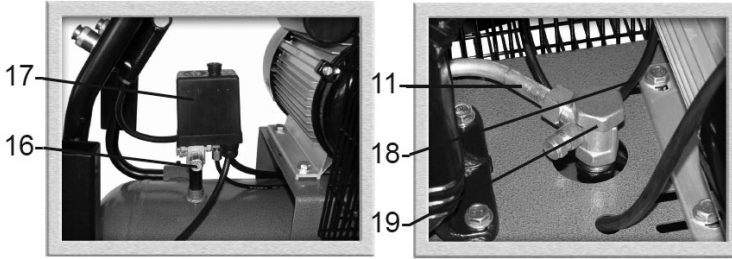
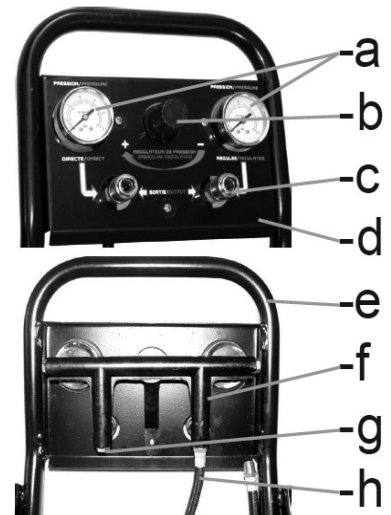
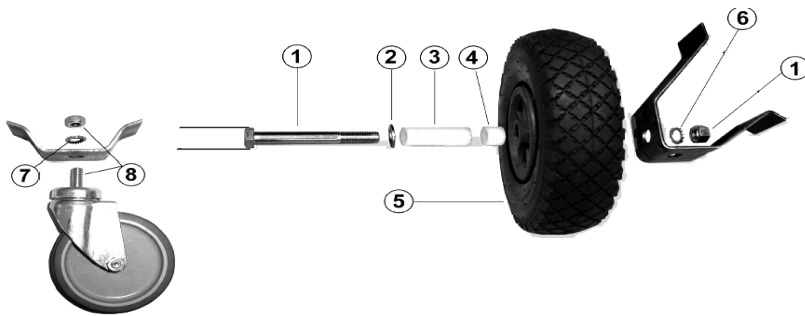


PARTS FOR : COMPRESSOR 150LTR BELT DRIVE 3HP WITH FRONT CONTROL PANEL MODEL : SAC3153B



ITEM	PART NO	DESCRIPTION
1	SAC3153B.01	TANK 150ltr
2	SAC3153B.02	V-PUMP
3	SAC3153B.03	ELECTRICAL MOTOR
4	SAC3153B.04	FLYWHEEL
5	SAC3153B.05	THERMAL OVERLOAD
6	SAC3153B.06	RUN CAPACITOR
7	SAC3153B.07	START CAPACITOR
8	SAC3153B.08	BELT GUARD
9	SAC3153B.09	PLASTIC CLIP
10	SAC3153B.10	BELT
11	SAC3153B.11	ALUMINIUM TUBE
12	SAC3153B.12	HANDLE
13	SAC3153B.13	DRAIN PLUG 1/4"
14	SAC3153B.14	WHEEL 260x20
15	SAC3153B.15	CASTOR WHEEL (c/w BRAKE)
16	SAC3153B.16	SAFETY VALVE 11bar
17	SAC3153B.17	PRESSURE SWITCH
18	SAC3153B.18	DECOMPRESSION TUBE
19	SAC3153B.19	CHECK VALVE 1/2"
20	SAC3153B.20	ELECTRICAL CABLE
21	SAC3153B.21	BALL VALVE 1/4"



ITEM	PART NO	DESCRIPTION
1	SAC3153B.W01	BOLT & NUT M12x100mmL
2	SAC3153B.W02	FLAT WASHER M12
3	SAC3153B.W03	SPACER, LONG (20x59x12)
4	SAC3153B.W04	SPACER, SHORT (20x15x12.2)
5	SAC3153B.14	WHEEL 260x20
6	SAC3153B.W06	SPRING WASHER
7	SAC3153B.W07	SPRING WASHER
8	SAC3153B.W08	CASTOR WHEEL BOLT & NUT M10

ITEM	PART NO	DESCRIPTION
A	SAC3153B.H01	PRESSURE GAUGE d:50
B	SAC3153B.H02	PRESSURE REDUCER
C	SAC3153B.H03	QUICK COUPLER
D	SAC3153B.H04	ADHESIVE PANEL
E	SAC3153B.H05	CARRY HANDLE
F	SAC3153B.H06	MANIFOLD
G	SAC3153B.H07	MANIFOLD CAP 1/4"
H	SAC3153B.H08	FLEXIBLE CONNECTING PIPE

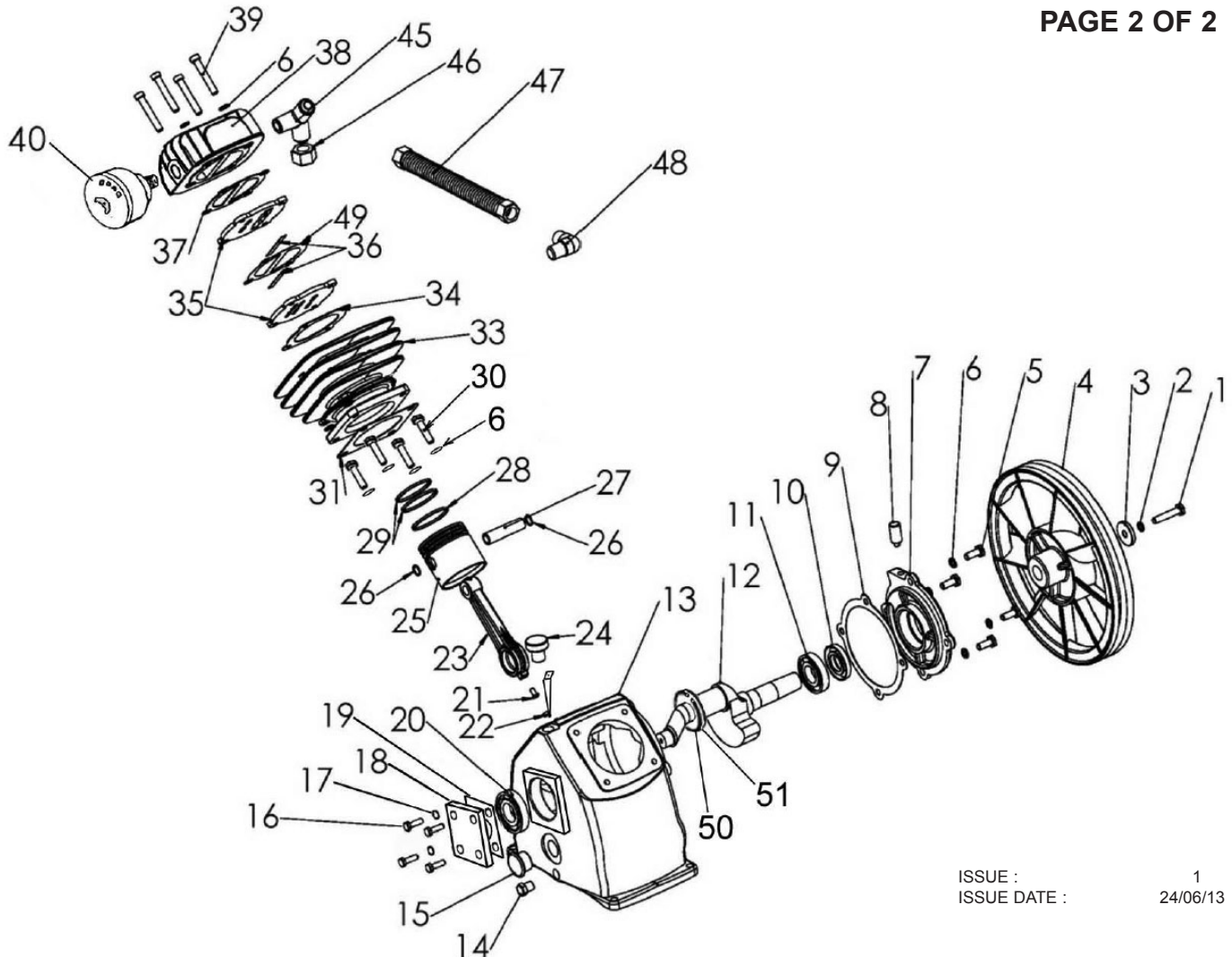
ISSUE : 1
ISSUE DATE: 24/06/13

NOTE: It is our policy to continually improve products and as such we reserve the right to alter data, specifications and component parts without prior notice.

IMPORTANT: No liability is accepted for incorrect use of product.

WARRANTY: Guarantee is 12 months from purchase date, proof of which will be required for any claim.

INFORMATION: For a copy of our latest catalogue and promotions call us on 01284 757525 and leave your full name and address, including postcode.



ISSUE : 1
 ISSUE DATE : 24/06/13

ITEM	PART NO	DESCRIPTION	ITEM	PART NO	DESCRIPTION
1	SAC3153B.P01	PULLEY BOLT (LEFT)	23	SAC3153B.P23	CON-ROD
2	SAC3153B.P02	SPRING WASHER	24	SAC3153B.P24	OIL FILLER PLUG
3	SAC3153B.P03	WASHER FOR PULLEY	25	SAC3153B.P25	PISTON
4	SAC3153B.P04	PULLEY	26	SAC3153B.P26	CIRCLIP
5	SAC3153B.P05	BOLT - BEARING SEAT	27	SAC3153B.P27	PISTON PIN
6	SAC3153B.P06	SPRING WASHER	29	SAC3153B.P28A	PISTON RING SET
7	SAC3153B.P07	BEARING SEAT	30	SAC3153B.P30	BOLT (M8)
8	SAC3153B.P08	OIL BREATHER	31	SAC3153B.P31	CRANKCASE CYLINDER GASKET
-	SAC3153B.P08A	BREATHER BASE (NOT SHOWN)	33	SAC3153B.P33	CYLINDER
9	SAC3153B.P09	GASKET - BEARING SEAT	34	SAC3153B.P34	GASKET - CYLINDER
10	SAC3153B.P10	OIL SEAL	35	SAC3153B.P35	VALVE SEAT
11	SAC3153B.P11	BEARING (6205Z)	36	SAC3153B.P36	VALVE PLATE
12	SAC3153B.P12	CRANKSHAFT	37	SAC3153B.P37	GASKET - CYLINDER HEAD
13	SAC3153B.P13	CRANKCASE	38	SAC3153B.P38	ALUMINIUM CYLINDER HEAD
14	SAC3153B.P14	OIL DRAIN PLUG	39	SAC3153B.P39	CYLINDER HEAD BOLT
15	SAC3153B.P15	OIL LEVELER	40	SAC3153B.P40	AIR FILTER COMPLETE
16	SAC3153B.P16	BOLT - BEARING COVER	45	SAC3153B.P45	CONNECTOR (3-WAY)
17	SAC3153B.P17	SPRING WASHER	46	SAC3153B.P46	EXHAUST NUT
18	SAC3153B.P18	BEARING COVER	47	SAC3153B.P47	COOLER COMPLETE
19	SAC3153B.P19	BEARING COVER	48	SAC3153B.P48	ELBOW
20	SAC3153B.P20	BEARING (6304)	49	SAC3153B.P49	ALUMINIUM GASKET
21	SAC3153B.P21	BOLT	50	SAC3153B.P50	CIRCLIP FOR CRANKSHAFT
22	SAC3153B.P22	CONNECTING ROD PIN	51	SAC3153B.P51	FLAT WASHER

NOTE: It is our policy to continually improve products and as such we reserve the right to alter data, specifications and component parts without prior notice.
IMPORTANT: No liability is accepted for incorrect use of product.
WARRANTY: Guarantee is 12 months from purchase date, proof of which will be required for any claim.
INFORMATION: For a copy of our latest catalogue and promotions call us on 01284 757525 and leave your full name and address, including postcode.