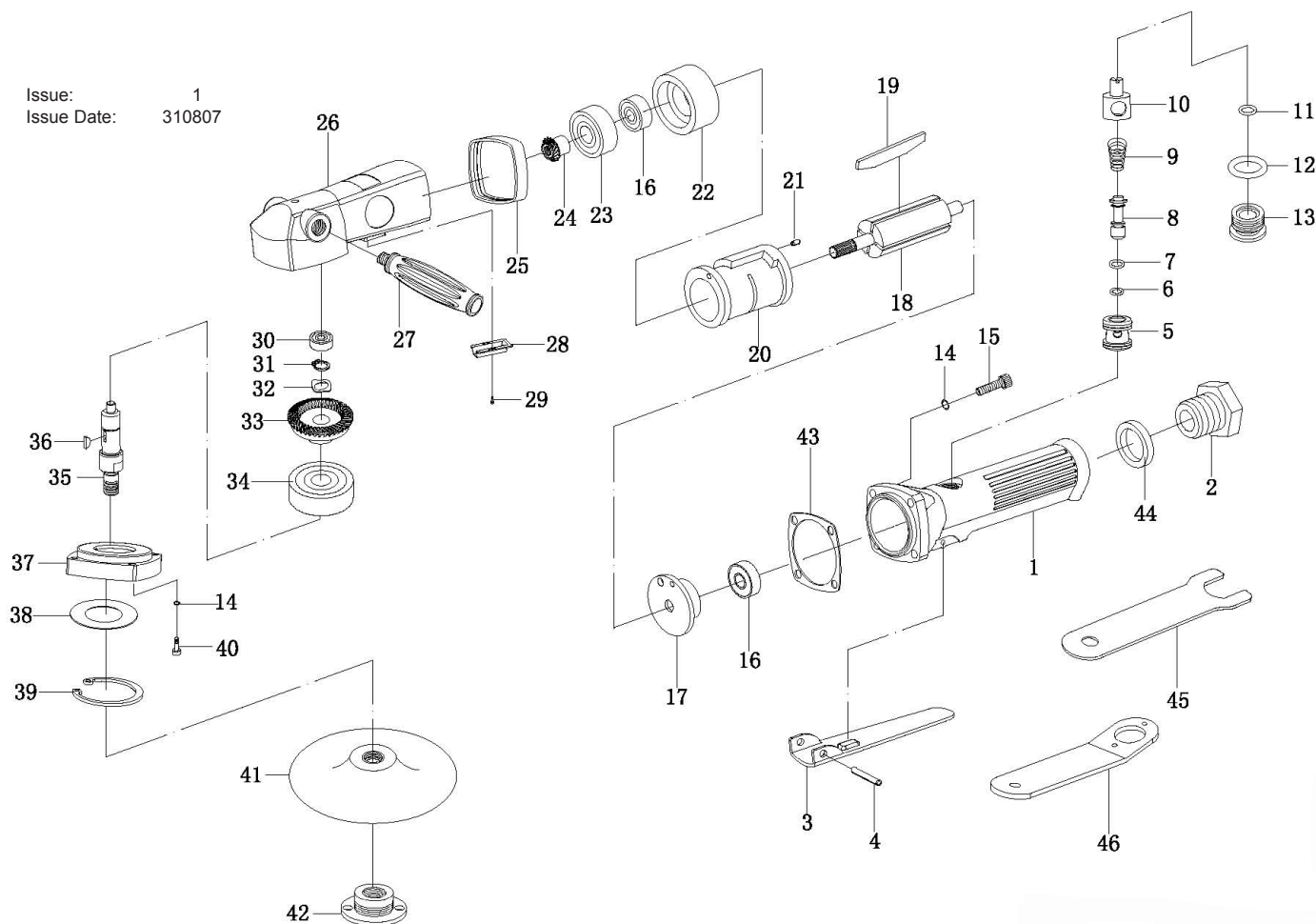


PARTS FOR:
AIR POLISHER 180mm 2500rpm
AIR POLISHER 180mm 4500rpm
MODELS: SA17/S.V2 & SA18/S.V2

Issue: 1
 Issue Date: 310807



ITEM	PART NO	DESCRIPTION
1	SA17S.V2-01	HOUSING
2	SA17S.V2-02	AIR INLET
3	SA17S.V2-03	TRIGGER
4	SA17S.V2-04	PIN
5	SA17S.V2-05	VALVE BUSHING
6	SA17S.V2-06	O-RING
7	SA17S.V2-07	O-RING
8	SA17S.V2-08	VALVE STEM
9	SA17S.V2-09	SPRING
10	SA17S.V2-10	AIR REGULATOR
11	SA17S.V2-11	O-RING
12	SA17S.V2-12	O-RING
13	SA17S.V2-13	VALVE PLUG
14	SA17S.V2-14	SPRING WASHER
15	SA17S.V2-15	SCREW
16	SA17S.V2-16	BEARING
17	SA17S.V2-17	REAR PLATE
18	SA17S.V2-18	ROTOR
19	SA17S.V2-19	ROTOR BLADE
20	SA17S.V2-20	CYLINDER
21	SA17S.V2-21	PIN
22	SA17S.V2-22	FRONT PLATE
23	SA17S.V2-23	BALL BEARING
24	SA17S.V2-24	PINION GEAR (SA17/S.V2 ONLY)
	SA18S.V2-24	PINION GEAR (SA18/S.V2 ONLY)

ITEM	PART NO	DESCRIPTION
25	SA17S.V2-25	RUBBER
26	SA17S.V2-26	ANGLE HEAD
27	SA17S.V2-27	HANDLE
28	SA17S.V2-28	DEFLECTOR
29	SA17S.V2-29	SCREW
30	SA17S.V2-30	BALL BEARING
31	SA17S.V2-31	RETAINING RING
32	SA17S.V2-32	WAVE WASHER
33	SA17S.V2-33	BEVEL GEAR (SA17/S.V2 ONLY)
	SA18S.V2-33	BEVEL GEAR (SA18/S.V2 ONLY)
34	SA17S.V2-34	BALL BEARING
35	SA17S.V2-35	SPINDLE
36	SA17S.V2-36	WOODRUFF KEY
37	SA17S.V2-37	FRONT PLATE
38	SA17S.V2-38	WASHER
39	SA17S.V2-39	RETAINING RING
40	SA17S.V2-40	SCREW
41	PTC/BP7/5/8	BACKING PAD, 7", 5/8"UNC
42	PTC/LN/5/8	PAD NUT, 5/8"UNC
43	SA17S.V2-43	GASKET
44	SA17S.V2-44	O-RING
45	SA17S.V2-45	WRENCH
46	SA17S.V2-46	WRENCH

NOTE: It is our policy to continually improve products and as such we reserve the right to alter data, specifications and component parts without prior notice.

IMPORTANT: No liability is accepted for incorrect use of product.

WARRANTY: Guarantee is 12 months from purchase date, proof of which will be required for any claim.

INFORMATION: For a copy of our latest catalogue and promotions call us on 01284 757525 and leave your full name and address, including postcode.