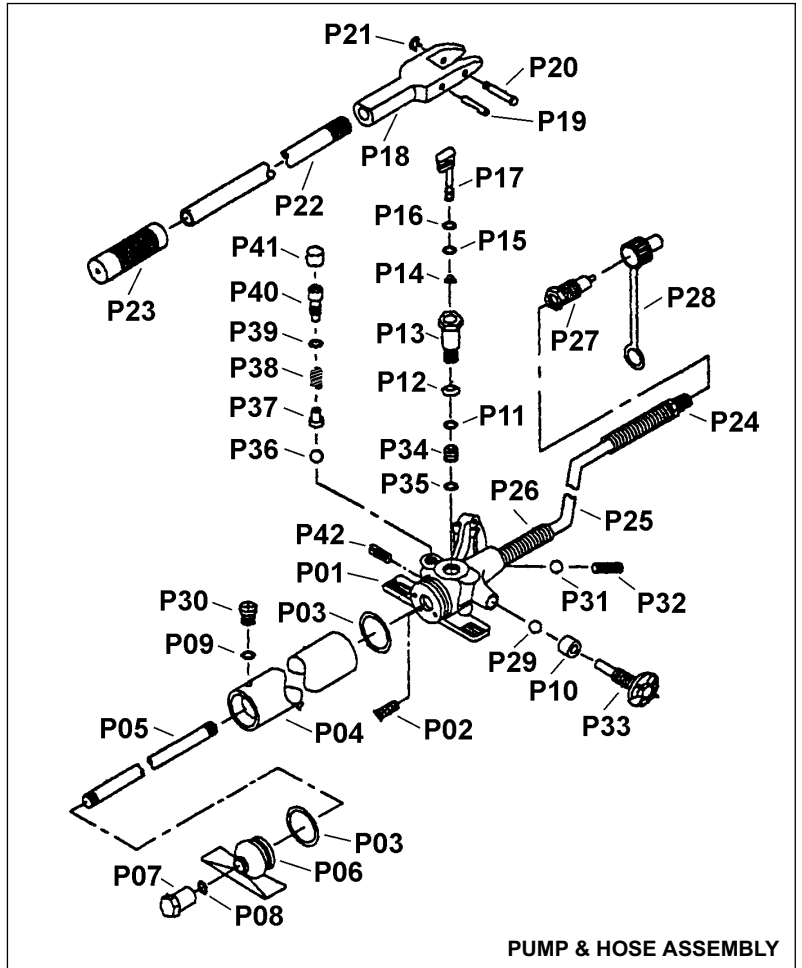


Item	Part No.	Description
P01	604/PJ01	Pump Housing
P02	604/PJ02	Filter
P03	604/PJ03	Seal
P04	604/PJ04	Pump Reservoir
P05	604/PJ05	Screw
P06	604/PJ06	Pump Foot
P07	604/PJ07	Bolt
P08	604/PJ08	O-ring
P09	604/PJ09	O-ring Seal
P10	604/PJ10	Spacer
P11	604/PJ11	Seal
P12	604/PJ12	Washer
P13	604/PJ13	Cylinder
P14	604/PJ14	Filter Ring
P15	604/PJ15	Seal
P16	604/PJ16	Washer
P17	604/PJ17	Plunger
P18	604/PJ18	Pump Pivot Arm
P19	604/PJ19	Pivot Pin
P20	604/PJ20	Pivot Pin
P21	604/PJ21	Circlip
P22	604/PJ22	Pump Handle Assembly
P23	604/PJ23	Grip
P24	604/PJ24	Hydraulic Fitting
P25	604/PJ25	Hose
P26	604/PJ26	Spring
P27	604/PJ27	Coupling
P28	604/PJ28	Dust Cap
P29	604/PJ29	Ball Valve
P30	604/PJ30	Screw
P31	604/PJ31	Ball Valve
P32	604/PJ32	Spring
P33	604/PJ33	Release Valve Stem
P34	604/PPJ34	Valve
P35	604/PPJ35	Washer
P36	604/PJ36	Ball Valve
P37	604/PJ37	Stem
P38	604/PJ38	Spring
P39	604/PJ39	O-ring Seal
P40	604/PJ40	Screw (Safety Valve)
P41	604/PJ41	Plastic Cap
P42	604/PJ42	Screw
R04N	604/RJ04N	Ram
R05N	604/RJ05N	Bearing
R06N	604/RJ06N	Bushing
R07N	604/RJ07N	Back-up Ring
R08N	604/RJ08N	'U' Seal
R09N	604/RJ09N	Washer
R10N	604/RJ10N	Circlip
R13	604/RJ13	Spring
R14	604/RJ14	Screw
R15	604/RJ15	Ring
R16	604/RJ16	Protector
R17	604/RJ17	Saddle
S01	604/SJ01	Lower Duck Bill
S02	604/SJ02	Spring
S03	604/SJ03	Upper Duck Bill
S04	604/SJ04	Pivoting Pin
S05	604/SJ05	Circlip



Item	Part No.	Description
S06	604/SJ06	Piston
S07	604/SJ07	Cup Seal
S08	604/SJ08	Washer
S09	604/SJ09	End Cap
S10	604/SJ10	Coupling Ring
S15	604/SJ15	Coupling Bolt
S16	604/SJ16	O-ring
S17	604/SJ17	Dust Cap

Version No:- 2  
 Date Issued:- 040102