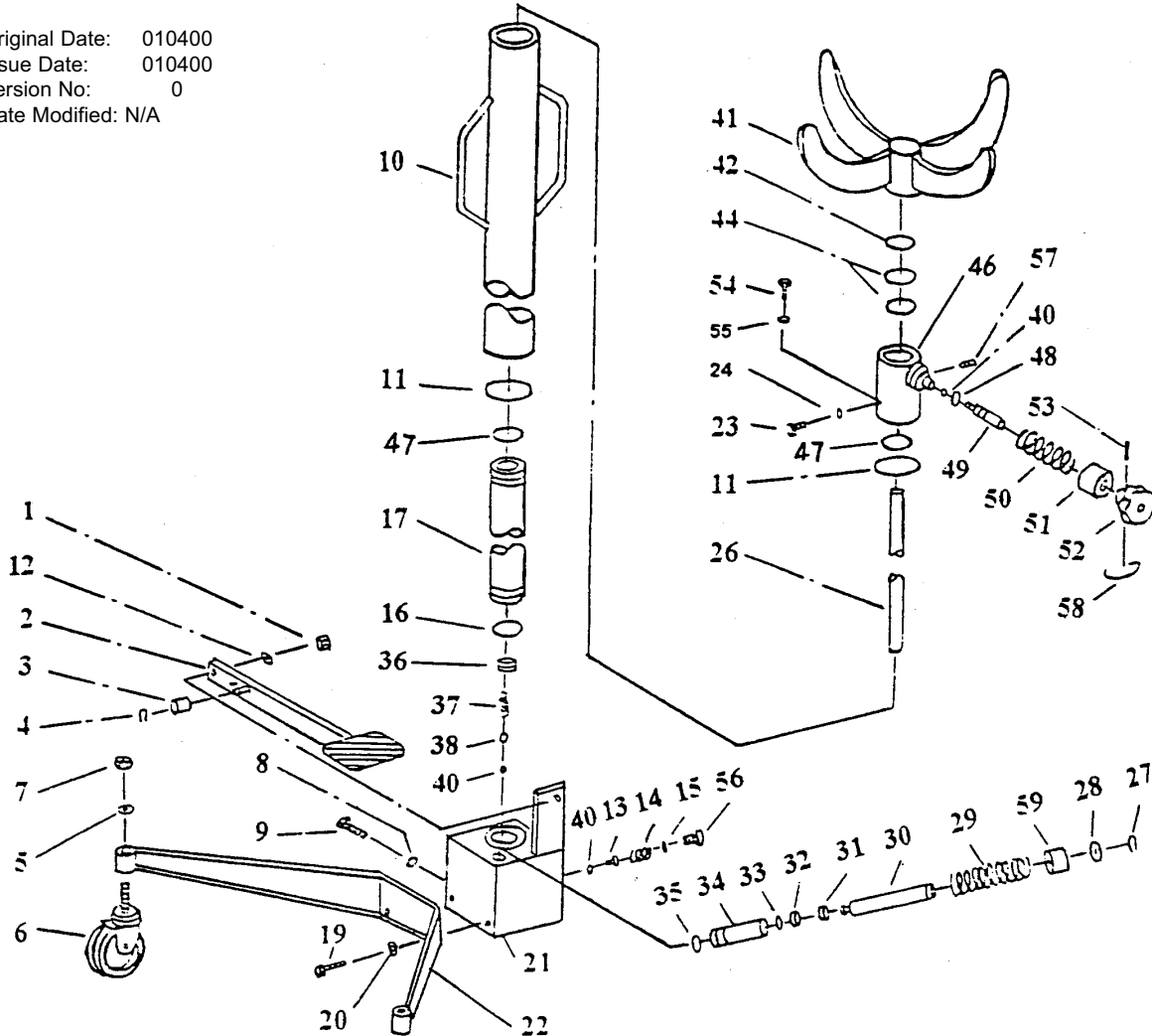


Original Date: 010400  
Issue Date: 010400  
Version No: 0  
Date Modified: N/A



Item	Part No.	Description
1	600TR/01	NUT , M10
2	600TR/02	PEDAL
3	600TR/03	BUSH
4	600TR/04	CIRCLIP 12
5	600TR/05	WASHER 12
6	600TR/06	SWIVEL WHEEL
7	600TR/07	NUT , M12
8	600TR/08	O-RING
9	600TR/09	SCREW
10	600TR/10	RESEIVOIR
11	600TR/11	O-RING
12	600TR/12	WASHER 10
13	600TR/13	SPRING GUIDE
14	600TR/14	SPRING
15	600TR/15	O-RING
16	600TR/16	O-RING
17	600TR/17	CYLINDER
19	600TR/19	BOLT M10*20
20	600TR/20	WASHER 10
21	600TR/21	PUMP
22	600TR/22	UNDER CARRIAGE
23	600TR/23	BOLT
24	600TR/24	O-RING
26	600TR/26	PISTON
27	600TR/27	CIRCLIP 16
28	600TR/28	WASHER
29	600TR/29	SPRING
30	600TR/30	PUMP PISTON

Item	Part No.	Description
31	600TR/31	V-RING
32	600TR/32	DUST RING
33	600TR/33	O-RING
34	600TR/34	PUMP UNIT
35	600TR/35	O-RING
36	600TR/36	SCREW
37	600TR/37	SPRING
38	600TR/38	BALL 9.5
40	600TR/40	BALL 1/4"
41	600TR/41	FORK or ADT
42	600TR/42	DUST RING
44	600TR/44	O-RING
46	600TR/46	CLINDER HEAD
47	600TR/47	O-RING
48	600TR/48	O-RING
49	600TR/49	RELEASE ROD
50	600TR/50	SPRING
51	600TR/51	BUSH
52	600TR/52	RELEASE KNOB
53	600TR/53	SPLIT PIN
54	600TR/54	BOLT
55	600TR/55	SEAL
56	600TR/56	SCREW
57	600TR/57	SCREW M6*12
58	600TR/58	CIRCLIP
59	600TR/59	BUSH
60	600TR/60	REST

Item	Part No.	Description
61	600TR/61	SPLIT PIN
62	600TR/62	SHAFT
63	600TR/63	CIRCLIP
65	600TR/65	SCREW
66	600TR/66	SHAFT
67	600TR/67	SCREW ROD
68	600TR/68	NUT M12
69	600TR/69	BEARING
70	600TR/70	SHAFT
71	600TR/71	CIRCLIP
72	600TR/72	ANGLE
73	600TR/73	BOLT M10*35
74	600TR/74	WASHER
75	600TR/75	NUT M10
76	600TR/76	WASHER 10
77	600TR/77	PLATE
78	600TR/78	BOLT M10*25
79	600TR/79	BOLT M8*25
80	600TR/80	WASHER 8
82	600TR/82	BAR
83	600TR/83	SCREW
84	600TR/84	FLY NUT
85	600TR/85	CHAIN

**NOTE:** It is our policy to continually improve products and as such we reserve the right to alter data, specifications and component parts without prior notice.



01284 757500



01284 703534

**E-mail:** sales@sealey.co.uk