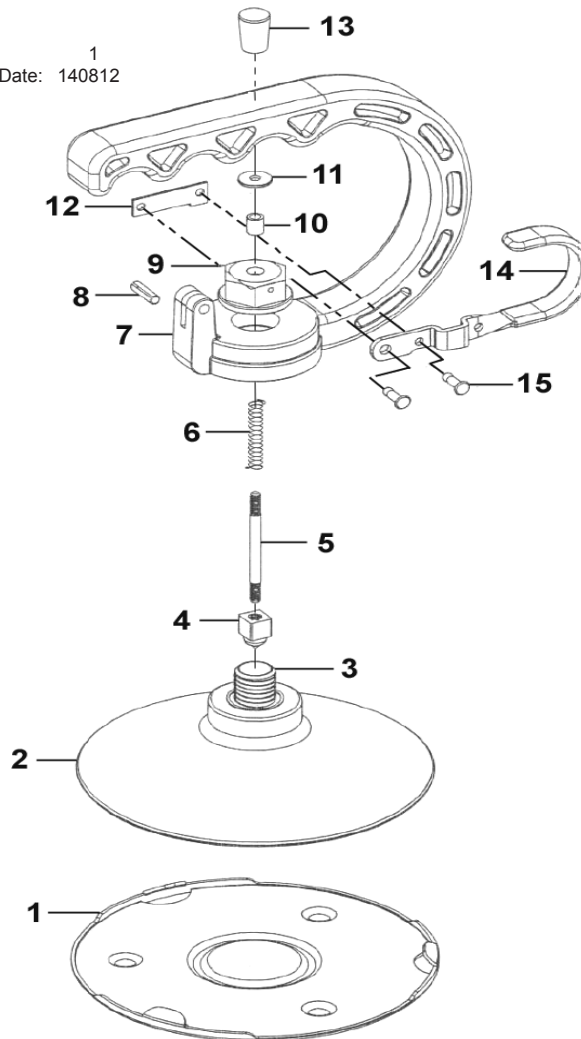


Issue: 1
 Issue Date: 140812



	<u>AK100</u>	<u>AK101</u>	<u>AK102</u>	
ITEM	PART NO	PART NO	PART NO	DESCRIPTION
1	AK100.01	AK101.01	AK102.01	SUCTION PAD COVER 75mm/100mm/125mm
2	AK100.02	AK101.02	AK102.02	SUCTION PAD 75mm/100mm/125mm
3	AK100.03	AK100.03	AK100.03	SUCTION PAD SCREW
4	AK100.04	AK100.04	AK100.04	SUCTION PAD NUT
5	AK100.05	AK100.05	AK100.05	SHAFT
6	AK100.06	AK100.06	AK100.06	SPRING
7	AK100.07	AK100.07	AK100.07	MAIN HANDLE
8	AK100.08	AK100.08	AK100.08	SPLIT PIN
9	AK100.09	AK100.09	AK100.09	SHAFT NUT
10	AK100.10	AK100.10	AK100.10	BUSHING
11	AK100.11	AK100.11	AK100.11	WASHER
12	AK100.12	AK100.12	AK100.12	PLATE FOR SUCTION GRIP LEVER
13	AK100.13	AK100.13	AK100.13	FIXING NUT
14	AK100.14	AK100.14	AK100.14	SUCTION GRIP LEVER
15	AK100.15	AK100.15	AK100.15	RIVET

NOTE: It is our policy to continually improve products and as such we reserve the right to alter data, specifications and component parts without prior notice.

IMPORTANT: No liability is accepted for incorrect use of product.

WARRANTY: Guarantee is 12 months from purchase date, proof of which will be required for any claim.

INFORMATION: For a copy of our latest catalogue and promotions call us on 01284 757525 and leave your full name and address, including postcode.