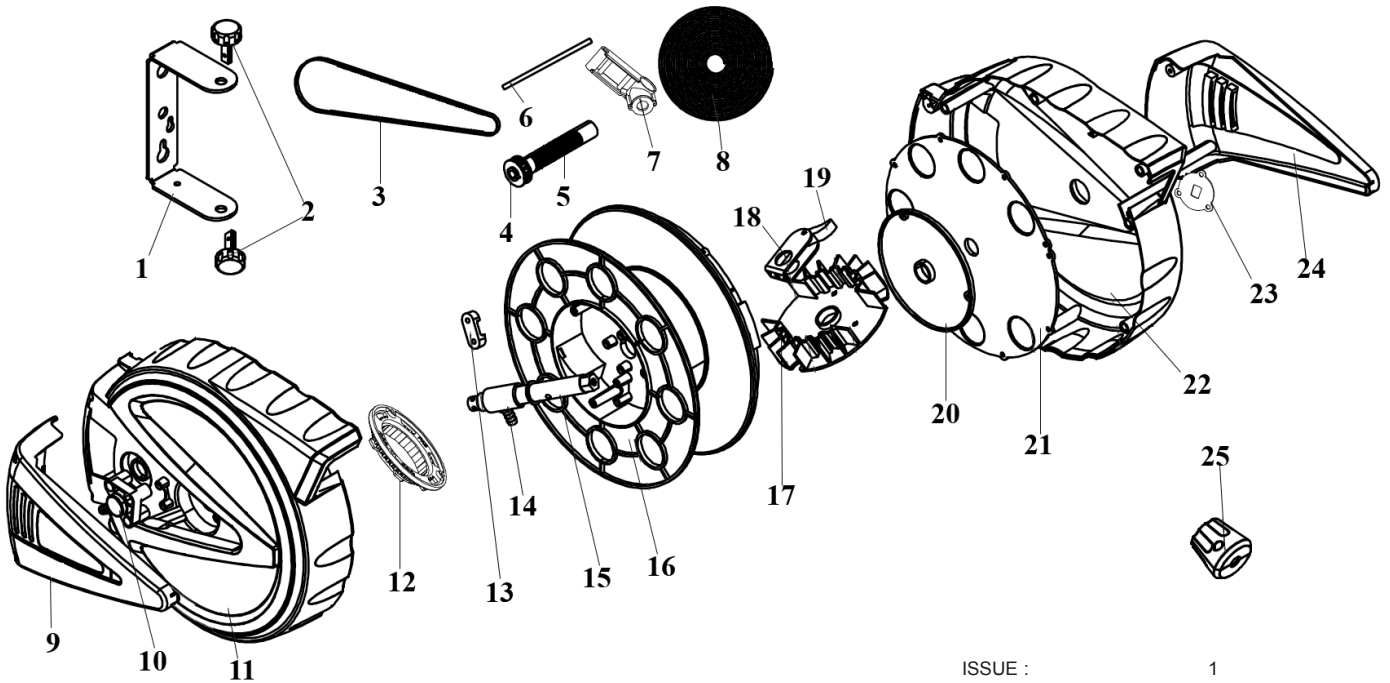


PARTS FOR :
RETRACTABLE AIR HOSE REELS
 MODEL : SA812.V3 / SA813.V3 / SA814.V2



ISSUE : 1
 ISSUE DATE : 24/06/13

SA812.V3

ITEM	PART NO
1	SA812.V3-01
2	SA812.V3-02
3	SA812.V3-03
4	SA812.V3-04
5	SA812.V3-05
6	SA812.V3-06
7	SA812.V3-07
8	SA812.V3-08
9	SA812.V3-09
10	SA812.V3-10
11	SA812.V3-11
12	SA812.V3-12
13	SA812.V3-13
14	SA812.V3-14
15	SA812.V3-15
16	SA812.V3-16
17	SA812.V3-17
18	SA812.V3-18
19	SA812.V3-19
20	SA812.V3-20
21	SA812.V3-21
22	SA812.V3-22
23	SA812.V3-23
24	SA812.V3-24
25	SA812.V3-25
--	SA812.V2-H
--	SA812.V2-H2
--	--
--	--
--	--
--	--
--	--

SA813.V3

ITEM	PART NO
1	SA813.V3-01
2	SA813.V3-02
3	SA813.V3-03
4	SA813.V3-04
5	SA813.V3-05
6	SA813.V3-06
7	SA813.V3-07
8	SA813.V3-08
9	SA813.V3-09
10	SA813.V3-10
11	SA813.V3-11
12	SA813.V3-12
13	SA813.V3-13
14	SA813.V3-14
15	SA813.V3-15
16	SA813.V3-16
17	SA813.V3-17
18	SA813.V3-18
19	SA813.V3-19
20	SA813.V3-20
21	SA813.V3-21
22	SA813.V3-22
23	SA813.V3-23
24	SA813.V3-24
25	SA813.V3-25
--	--
--	SA813.V2-H
--	SA813.V2-H2
--	--
--	--
--	--
--	--
--	--

SA814.V2

ITEM	PART NO
1	SA814.V2-01
2	SA814.V2-02
3	SA814.V2-03
4	SA814.V2-04
5	SA814.V2-05
6	SA814.V2-06
7	SA814.V2-07
8	SA814.V2-08
9	SA814.V2-09
10	SA814.V2-10
11	SA814.V2-11
12	SA814.V2-12
13	SA814.V2-13
14	SA814.V2-14
15	SA814.V2-15
16	SA814.V2-16
17	SA814.V2-17
18	SA814.V2-18
19	SA814.V2-19
20	SA814.V2-20
21	SA814.V2-21
22	SA814.V2-22
23	SA814.V2-23
24	SA814.V2-24
25	SA814.V2-25
--	--
--	--
--	--
--	SA814.H
--	SA814.H2

DESCRIPTION
WALL BRACKET
WALL BRACKET PIN
BELT
SMALL GEAR
SHAFT
AXLE
RACK ASS'Y
SPRING
LEFT HAND CASE COVER
INLET HOSE CONNECTOR
LEFT HAND CASE
GEAR PLATE ASS'Y
CLIP
INNER HOSE CONNECTOR
MAIN SHAFT
DRUM
RATCHET
RATCHET BRACKET
RATCHET PAWL
SPRING INNER COVER
SPRING OUTER COVER
RIGHT HAND CASE
TENSION COVER
RIGHT HAND CASE COVER
STOP BALL
HOSE 12MTR (NOT SHOWN)
AIR INLET HOSE (NOT SHOWN)
HOSE 10MTR (NOT SHOWN)
AIR INLET HOSE (NOT SHOWN)
HOSE 15MTR (NOT SHOWN)
AIR INLET HOSE (NOT SHOWN)

NOTE: It is our policy to continually improve products and as such we reserve the right to alter data, specifications and component parts without prior notice.

IMPORTANT: No liability is accepted for incorrect use of product.

WARRANTY: Guarantee is 12 months from purchase date, proof of which will be required for any claim.

INFORMATION: For a copy of our latest catalogue and promotions call us on 01284 757525 and leave your full name and address, including postcode.