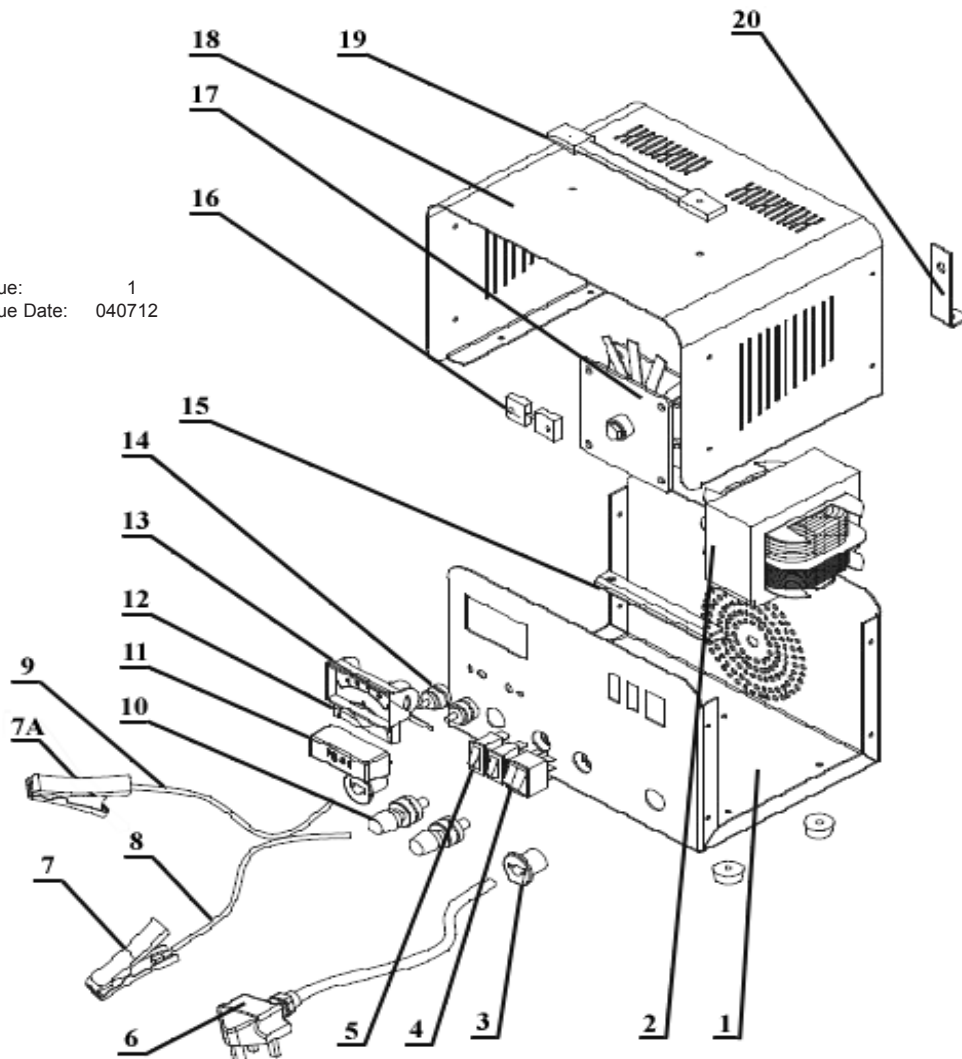


Issue: 1  
 Issue Date: 040712



ITEM	BOOST120 PART NO	BOOST140 PART NO	BOOST160 PART NO	BOOST180 PART NO	DESCRIPTION
1	BOOST120.01	BOOST140.01	BOOST160.01	BOOST180.01	LOWER PANEL
2	BOOST120.02	BOOST140.02	BOOST160.02	BOOST180.02	MAIN TRANSFORMER
3	BOOST180.03	BOOST180.03	BOOST180.03	BOOST180.03	CABLE BUSHING
4	BOOST180.04	BOOST180.04	BOOST180.04	BOOST180.04	ON/OFF SWITCH
5	BOOST180.05	BOOST180.05	BOOST180.05	BOOST180.05	WHITE ROCKER SWITCH
6	BOOST180.06	BOOST180.06	BOOST180.06	BOOST180.06	POWER CABLE WITH PLUG
7	BOOST180.07	BOOST180.07	BOOST180.07	BOOST180.07	POSITIVE CLAMP
7A	BOOST180.07A	BOOST180.07A	BOOST180.07A	BOOST180.07A	NEGATIVE CLAMP
8	BOOST180.08	BOOST180.08	BOOST180.08	BOOST180.08	CABLE FOR POSITIVE CLAMP
9	BOOST180.09	BOOST180.09	BOOST180.09	BOOST180.09	CABLE FOR NEGATIVE CLAMP
10	BOOST180.10	BOOST180.10	BOOST180.10	BOOST180.10	TERMINAL COMPLETE
11	BOOST180.11	BOOST180.11	BOOST180.11	BOOST180.11	FUSE COVER
12	BOOST180.12	BOOST180.12	BOOST180.12	BOOST180.12	AMMETER
13	BOOST180.13	BOOST180.13	BOOST180.13	BOOST180.13	FUSE
14	BOOST180.14	BOOST180.14	BOOST180.14	BOOST180.14	FUSE HOLDER
15	BOOST180.15	BOOST180.15	BOOST180.15	BOOST180.15	SUPPORT
16	BOOST180.16	BOOST180.16	BOOST180.16	BOOST180.16	SHUNT
17	BOOST180.17	BOOST180.17	BOOST180.17	BOOST180.17	RECTIFIER
18	BOOST120.18	BOOST140.18	BOOST160.18	BOOST180.18	TOP COVER
19	BOOST180.16	BOOST180.17	BOOST180.18	BOOST180.19	HANDLE
20	BOOST120.20	BOOST140.20	BOOST160.20	BOOST180.20	MIDDLE SUPPORT

**NOTE:** It is our policy to continually improve products and as such we reserve the right to alter data, specifications and component parts without prior notice.

**IMPORTANT:** No liability is accepted for incorrect use of product.

**WARRANTY:** Guarantee is 12 months from purchase date, proof of which will be required for any claim.

**INFORMATION:** For a copy of our latest catalogue and promotions call us on 01284 757525 and leave your full name and address, including postcode.