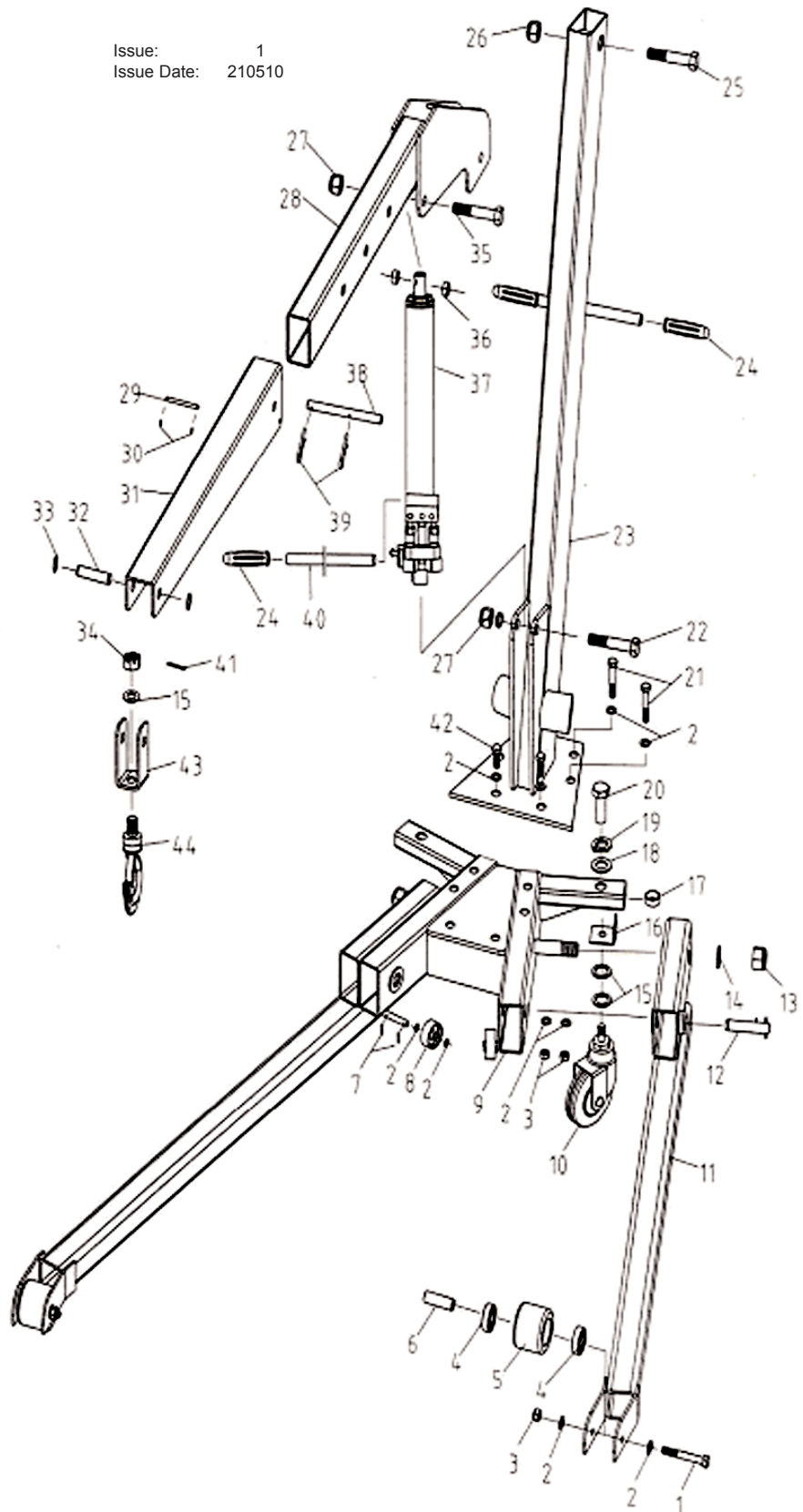


Issue: 1  
 Issue Date: 210510

| ITEM | PART NO    | DESCRIPTION        |
|------|------------|--------------------|
| 1    | PH10.V3-01 | BOLT (M12x90)      |
| 2    | PH10.V3-02 | WASHER (M12)       |
| 3    | PH10.V3-03 | LOCK NUT (M12)     |
| 4    | PH10.V3-04 | BEARING            |
| 5    | PH10.V3-05 | FRONT WHEEL        |
| 6    | PH10.V3-06 | FRONT WHEEL SPACER |
| 7    | PH10.V3-07 | SPLIT PIN (2.5x18) |
| 8    | PH10.V3-08 | GUIDE WHEEL        |
| 9    | PH10.V3-09 | BASE               |
| 10   | PH10.V3-10 | REAR WHEEL         |
| 11   | PH10.V3-11 | LEG                |
| 12   | PH10.V3-12 | LEG PIN            |
| 13   | PH10.V3-13 | LOCK NUT (M20)     |
| 14   | PH10.V3-14 | WASHER (20mm)      |
| 15   | PH10.V3-15 | WASHER (24mm)      |
| 16   | PH10.V3-16 | REAR WHEEL BRACKET |
| 17   | PH10.V3-17 | REAR WHEEL SPACER  |
| 18   | PH10.V3-18 | WASHER (18mm)      |
| 19   | PH10.V3-19 | LOCK WASHER (18mm) |
| 20   | PH10.V3-20 | REAR WHEEL BOLT    |
| 21   | PH10.V3-21 | BOLT (M12x110)     |
| 22   | PH10.V3-22 | BOLT (M16x70)      |
| 23   | PH10.V3-23 | MAIN SUPPORT POST  |
| 24   | PH10.V3-24 | HANDLE GRIP        |
| 25   | PH10.V3-25 | BOLT (M18x90)      |
| 26   | PH10.V3-26 | LOCK NUT (M18)     |
| 27   | PH10.V3-27 | LOCK NUT (M16)     |
| 28   | PH10.V3-28 | BOOM               |
| 29   | PH10.V3-29 | SAFETY PIN         |
| 30   | PH10.V3-30 | CIRCLIP            |
| 31   | PH10.V3-31 | BOOM EXTENSION     |
| 32   | PH10.V3-32 | HOOK PIN           |
| 33   | PH10.V3-33 | CIRCLIP            |
| 34   | PH10.V3-34 | NUT (M20)          |
| 35   | PH10.V3-35 | BOLT (M16x90)      |
| 36   | PH10.V3-36 | SPACER             |
| 37   | PH10.V3-37 | RAM                |
| 38   | PH10.V3-38 | CROSS PIN          |
| 39   | PH10.V3-39 | PIN                |
| 40   | PH10.V3-40 | HANDLE             |
| 41   | PH10.V3-41 | COTTER PIN (4x30)  |
| 42   | PH10.V3-42 | BOLT (M12x25)      |
| 43   | PH10.V3-43 | BRACKET FOR HOOK   |
| 44   | PH10.V3-44 | HOOK               |



**NOTE:** It is our policy to continually improve products and as such we reserve the right to alter data, specifications and component parts without prior notice.

**IMPORTANT:** No liability is accepted for incorrect use of product.

**WARRANTY:** Guarantee is 12 months from purchase date, proof of which will be required for any claim.

**INFORMATION:** For a copy of our latest catalogue and promotions call us on 01284 757525 and leave your full name and address, including postcode.