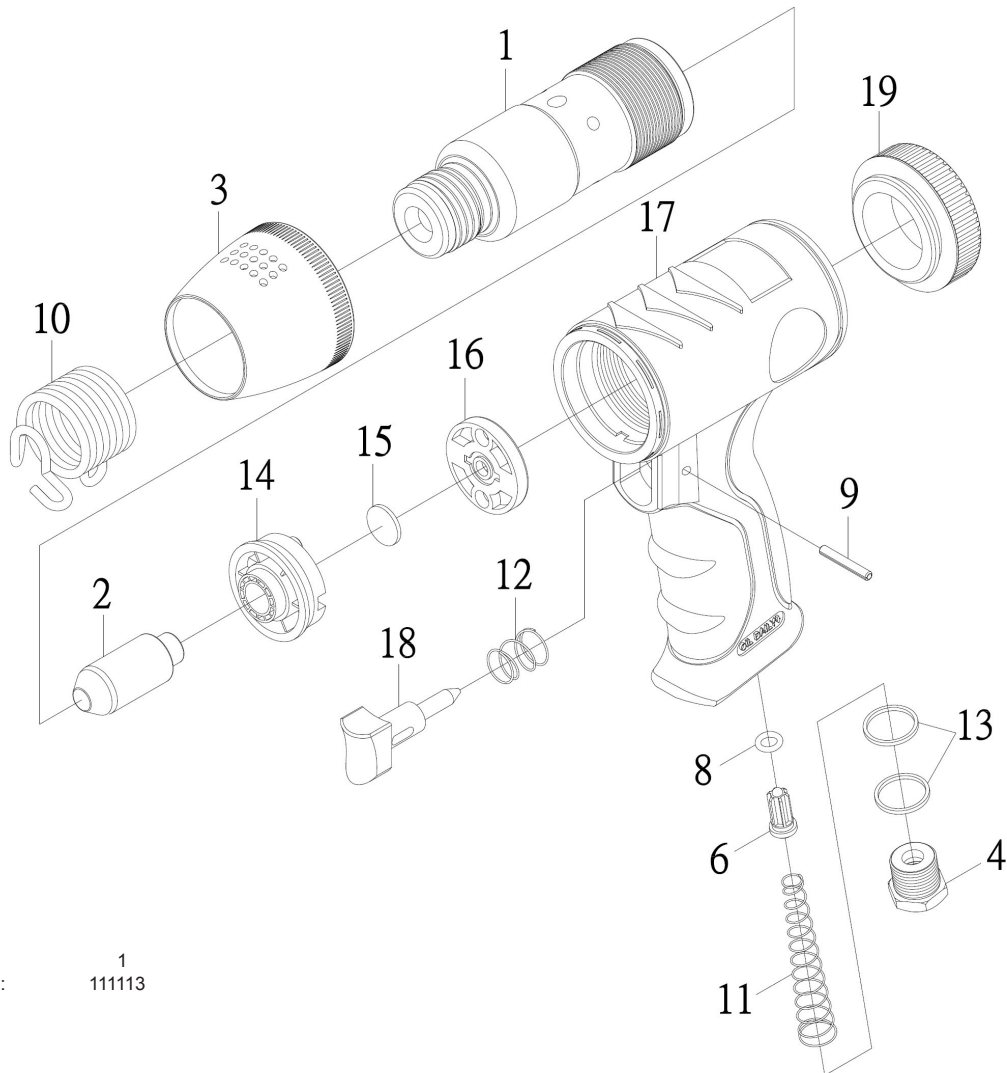




PARTS FOR:
AIR HAMMER KIT COMPOSITE PREMIER - MEDIUM STROKE
AIR HAMMER KIT COMPOSITE PREMIER - LONG STROKE
MODEL: SA613.V2 & SA614.V2



Issue: 1
 Issue Date: 111113

ITEM	PART NO	DESCRIPTION	ITEM	PART NO	DESCRIPTION
1	SA613.V2-01	CYLINDER (for SA613.V2 only)	11	SA614.V2-11	SPRING
	SA614.V2-01	CYLINDER (for SA614.V2 only)	12	SA614.V2-12	SPRING
2	SA613.V2-02	PISTON (for SA613.V2 only)	13	SA614.V2-13	SHIM PLATE
	SA614.V2-02	PISTON (for SA614.V2 only)	14	SA614.V2-14	VALVE CASE
3	SA614.V2-03	EXHAUST DEFLECTOR	15	SA614.V2-15	VALVE DISC
4	SA614.V2-04	AIR INLET BUSHING	16	SA614.V2-16	LID-VALVE
6	SA614.V2-06	VALVE STEM	17	SA614.V2-17	HOUSING
8	SA614.V2-08	O-RING	18	SA614.V2-18	TRIGGER
9	SA614.V2-09	ROLL PIN	19	SA614.V2-19	AIR CUSHION
10	SA614.V2-10	SPRING RETAINER			

NOTE: It is our policy to continually improve products and as such we reserve the right to alter data, specifications and component parts without prior notice.

IMPORTANT: No liability is accepted for incorrect use of product.

WARRANTY: Guarantee is 12 months from purchase date, proof of which will be required for any claim.

INFORMATION: For a copy of our latest catalogue and promotions call us on 01284 757525 and leave your full name and address, including postcode.



Sole UK Distributor,
 Sealey Group, Kempson Way,
 Suffolk Business Park,
 Bury St Edmunds, Suffolk, IP32 7AR



01284 757500



01284 703534



www.sealey.co.uk



sales@sealey.co.uk