

fig.1

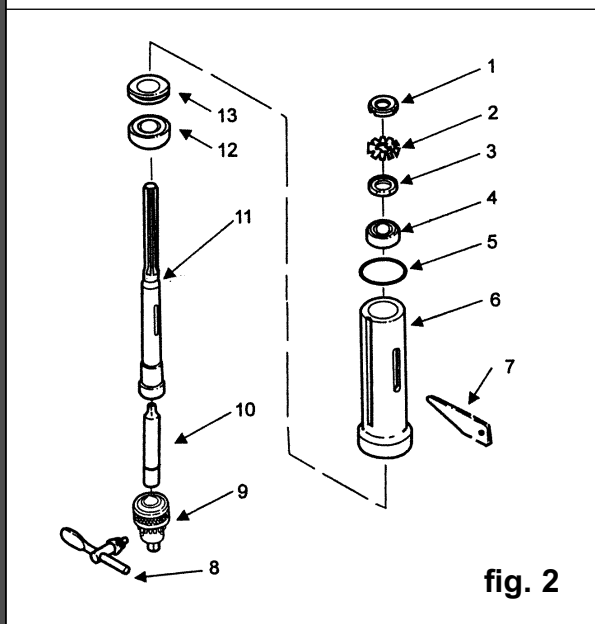


fig. 2

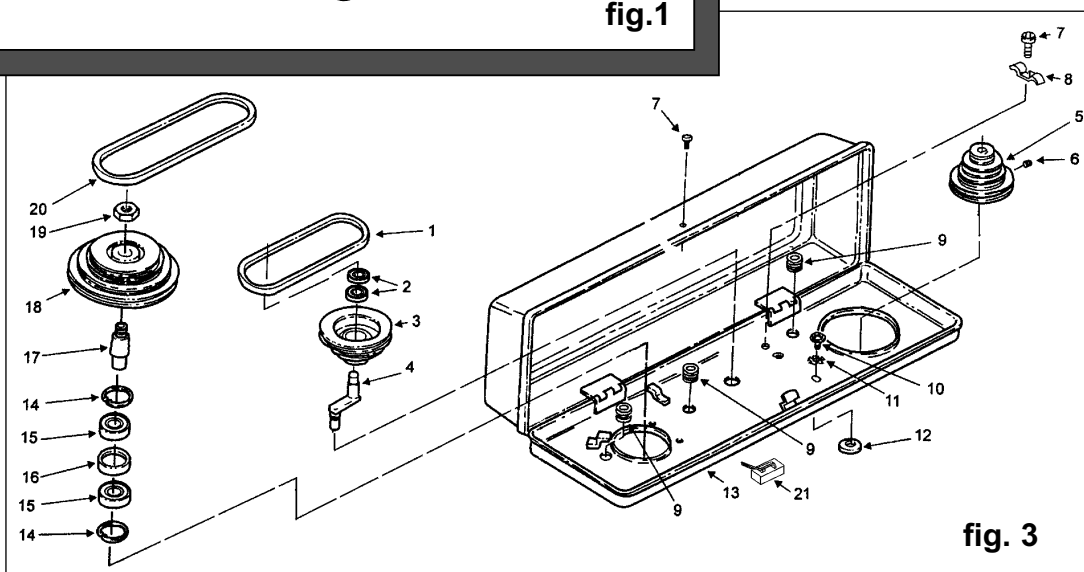


fig. 3

Issue: 2
Date: 011002

Fig. 1

Item	Part No.	Description
1	PDM260F-1-01	Collar, Rack
2	PDM260F-1-02	Screw, HS M6 x 1.0-10
3	PDM260F-1-03	Support, Table
4	PDM260F-1-04	Crank
5	PDM260F-1-05	Handle, Crank
6	PDM260F-1-06	Rack
7	PDM260F-1-07	Screw, HS M10 x 1.5-12
8	PDM260F-1-08	Support, Column
9	PDM260F-1-09	Screw, HH M12 x 1.75-40
10	PDM260F-1-10	Base
11	PDM260F-1-11	Column Tube
12	PDM260F-1-12	Lock Pin, Table
13	PDM260F-1-13	Nut, Hex. M8 x 1.25
14	PDM260F-1-14	Screw, HH M20 x 2.5-50
15	PDM260F-1-15	Table cw Scale
16	PDM260F-1-16	Pin, Gear
17	PDM260F-1-17	Column Clamp
18	PDM260F-1-18	Gear, Helical
19	PDM260F-1-19	Worm, Elevation

Fig. 2

Item	Part No.	Description
1	PDM260F-2-01	Nut, Lock M20 x 1.5
2	PDM260F-2-02	Ring, Locking
3	PDM260F-2-03	Washer
4	PDM260F-2-04	Bearing, 20mm
5	PDM260F-2-05	Washer, Rubber
6	PDM260F-2-06	Tube, Quill
7	PDM260F-2-07	Key, Drift
8	PDM260F-2-08	Key, Chuck
9	PDM260F-2-09	Chuck
10	PDM260F-2-10	Arbor
11	PDM260F-2-11	Spindle
12	PDM260F-2-12	Bearing, 30mm
13	PDM260F-2-13	Bearing, Thrust

Fig. 3

Item	Part No.	Description
1	PDM260F-3-01	V Belt, A29
2	PDM260F-3-02	Bearing, 15mm
3	PDM260F-3-03	Pulley, Centre
4	PDM260F-3-04	Pivot, Idler
5	PDM260F-3-05	Pulley, Motor
6	PDM260F-3-06	Screw, Set M8 x 1.5-12
7	PDM260F-3-07	Screw, PH M5 x 0.8-12
8	PDM260F-3-08	Clamp, Cord
9	PDM260F-3-09	Bush, Rubber
10	PDM260F-3-10	Screw, RH M6 x 1.0-16
11	PDM260F-3-11	Washer, Lock M16
12	PDM260F-3-12	Washer, Foam
13	PDM260F-3-13	Guard, Pulley
14	PDM260F-3-14	Ring, Retaining
15	PDM260F-3-15	Bearing, 30mm
16	PDM260F-3-16	Spacer, Bearing
17	PDM260F-3-17	Insert, Pulley
18	PDM260F-3-18	Pulley, Spindle
19	PDM260F-3-19	Nut, Pulley
20	PDM260F-3-20	V Belt, A33
21	PDM-MS	Micro Switch



01284 757500



01284 703534

E-mail: sales@sealey.co.uk
Web: www.sealey.co.uk

Issue: 2
Date: 011002

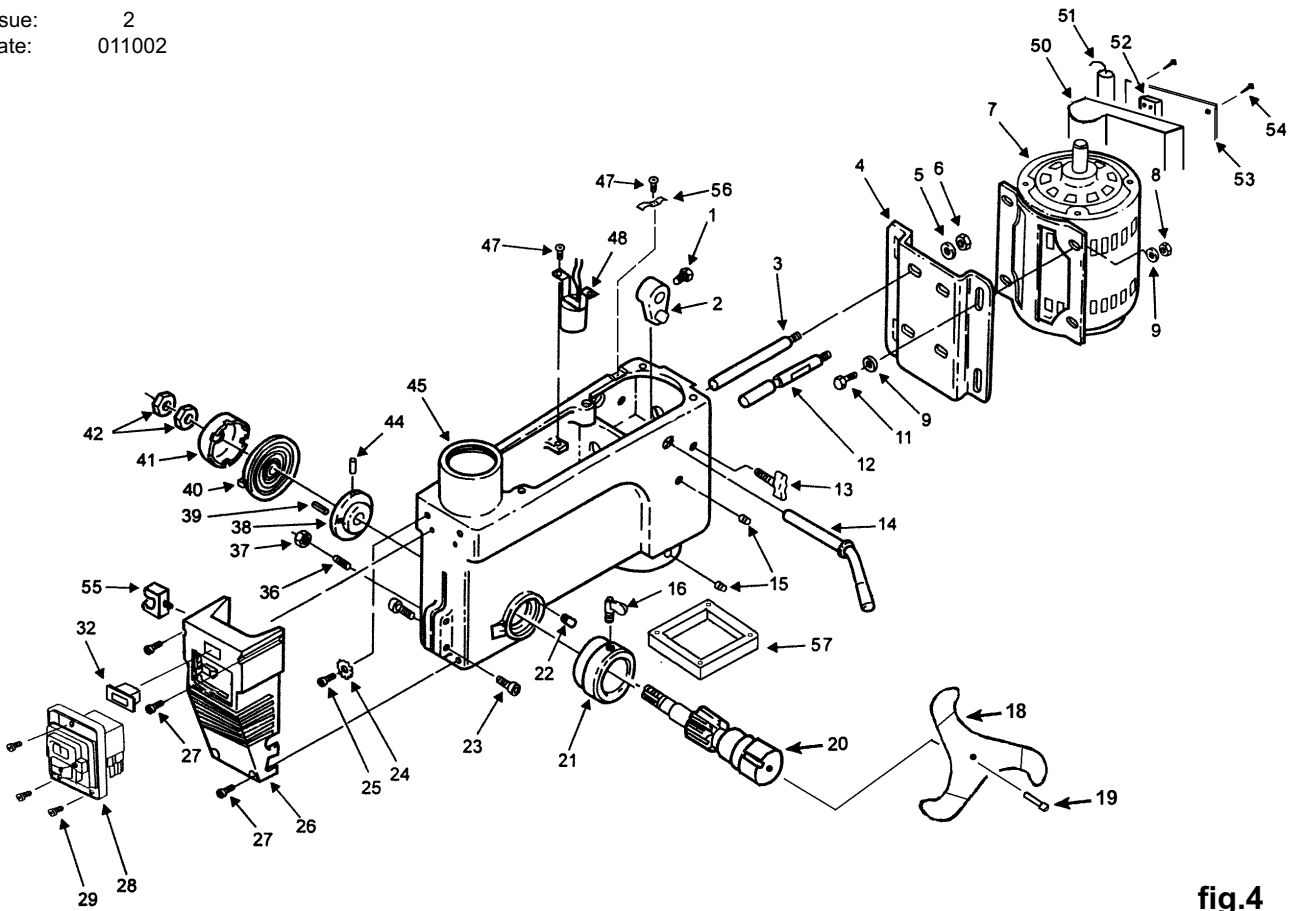


fig.4

Fig. 4

Item	Part No.	Description
1	PDM260F-4-01	Screw, HH M8 x 1.25-16
2	PDM260F-4-02	Lever, Adjusting
3	PDM260F-4-03	Support, Motor Bracket
4	PDM260F-4-04	Mount, Motor
5	PDM260F-4-05	Washer, Lock M12
6	PDM260F-4-06	Nut, Hex. M12 x 1.75
7	PDM260F-4-07	Motor
8	PDM260F-4-08	Nut, Hex. M8 x 1.25
9	PDM260F-4-09	Washer, M8 x 16 x 1.6
11	PDM260F-4-11	Screw, HH M8 x 1.25-20
12	PDM260F-4-12	Support, Motor Bracket
13	PDM260F-4-13	Knob, Motor Adjustment
14	PDM260F-4-14	Handle, Belt Tension
15	PDM260F-4-15	Screw, SS M10 x 1.5-12
16	PDM260F-4-16	Lock, Depth Screw
18	PDM260F-4-18	Handle
19	PDM260F-4-19	Bolt
20	PDM260F-4-20	Hub
21	PDM260F-4-21	Ring, Depth Stop
22	PDM260F-4-22	Pin, Stop
23	PDM260F-4-23	Screw, SH M8 x 1.25-30
24	PDM260F-4-24	Washer, Lock External M5
25	PDM260F-4-25	Screw, PH M5 x 0.8-8

Fig. 4 Continued

Item	Part No.	Description
26	PDM260F-4-26	Box, Switch
27	PDM260F-4-27	Screw, PH M6 x 1.0-35
28	PDM260F-4-28	Switch, No Volt
29	PDM260F-4-29	Screw, PH M24 x 1.4-8
32	PDM260F-4-32	Switch
36	PDM260F-4-36	Screw, Special M10 x 1.5-27
37	PDM260F-4-37	Nut, Hex. M10 x 1.5-27
38	PDM260F-4-38	Seat, Spring
39	PDM260F-4-39	Roll Pin, 6 x 16mm
40	PDM260F-4-40	Spring, Torsion
41	PDM260F-4-41	Cap, Spring
42	PDM260F-4-42	Nut, Hex. M12 x 1.5-8
44	PDM260F-4-44	Roll Pin, 2.5 x 10mm
45	PDM260F-4-45	Head
47	PDM260F-4-47	Screw, PH M6 x 1.0-12
48	PDM260F-4-48	Bulb Socket
50	PDM260F-4-50	Terminal Box
51	PDM260F-4-51	Capacitor
52	PDM260F-4-52	Terminal Block
53	PDM260F-4-53	Cover, Terminal Box
54	PDM260F-4-54	Screw
55	PDM260F-4-55	Clip, Chuck Key
56	PDM260F-4-56	Clamp, Cord
57	PDM260F-4-48.C	Light Cover



01284 757500



01284 703534

E-mail: sales@sealey.co.uk
Web: www.sealey.co.uk