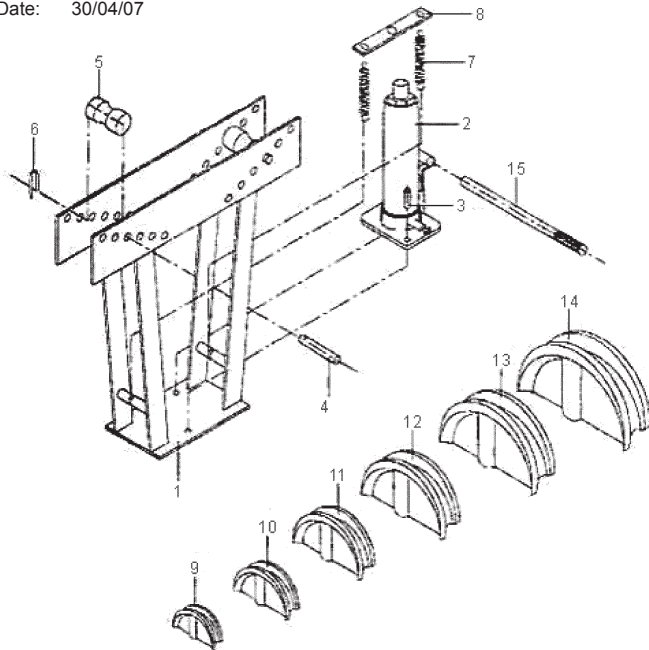


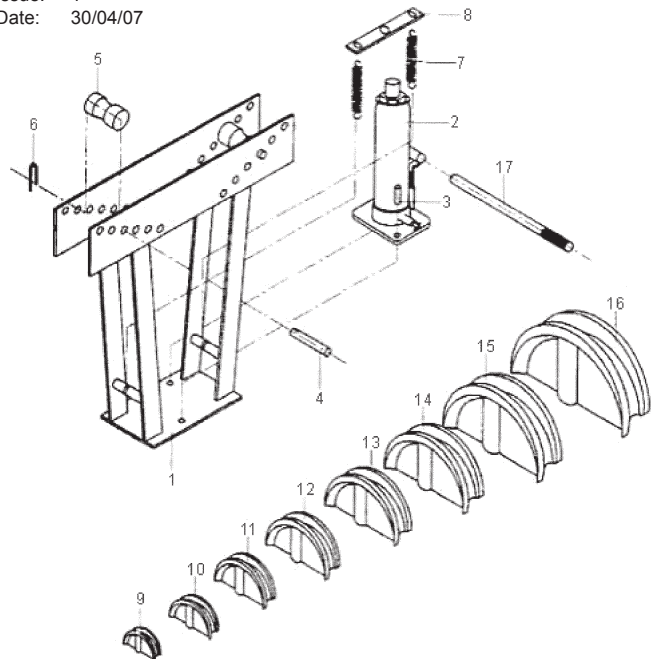
### PBS99/10.V3

Issue: 1  
Date: 30/04/07



### PBS99/14.V3

Issue: 1  
Date: 30/04/07



| Item: | Part No.:     | Description:           |
|-------|---------------|------------------------|
| 1     | PBS99/10V2.01 | FRAME                  |
| 2     | PBS99/10V2.02 | LONG RAM JACK (12 TON) |
| 3     | PBS99/10V2.03 | SCREW NAIL             |
| 4     | PBS99/10V2.04 | BUSHING                |
| 5     | PBS99/10V2.05 | AXIS                   |
| 6     | PBS99/10V2.06 | HITCH PIN              |
| 7     | PBS99/10V2.07 | SPRING                 |
| 8     | PBS99/10V2.08 | SUSPEND PLATE          |
| 9     | PBS99/10V2.09 | 1/2" BENDING DIE       |
| 10    | PBS99/10V2.10 | 3/4" BENDING DIE       |
| 11    | PBS99/10V2.11 | 1" BENDING DIE         |
| 12    | PBS99/10V2.12 | 1-1/4" BENDING DIE     |
| 13    | PBS99/10V2.13 | 1-1/2" BENDING DIE     |
| 14    | PBS99/10V2.14 | 2" BENDING DIE         |
| 15    | PBS99/10V2.15 | JACK HANDLE            |

| Item: | Part No.:     | Description:           |
|-------|---------------|------------------------|
| 1     | PBS99/14V2.01 | FRAME                  |
| 2     | PBS99/14V2.02 | LONG RAM JACK (16 TON) |
| 3     | PBS99/14V2.03 | SCREW NAIL             |
| 4     | PBS99/14V2.04 | BUSHING                |
| 5     | PBS99/14V2.05 | AXIS                   |
| 6     | PBS99/14V2.06 | HITCH PIN              |
| 7     | PBS99/14V2.07 | SPRING                 |
| 8     | PBS99/14V2.08 | SUSPEND PLATE          |
| 9     | PBS99/14V2.09 | 1/2" BENDING DIE       |
| 10    | PBS99/14V2.10 | 3/4" BENDING DIE       |
| 11    | PBS99/14V2.11 | 1" BENDING DIE         |
| 12    | PBS99/14V2.12 | 1-1/4" BENDING DIE     |
| 13    | PBS99/14V2.13 | 1-1/2" BENDING DIE     |
| 14    | PBS99/14V2.14 | 2" BENDING DIE         |
| 15    | PBS99/14V2.15 | 2-1/2" BENDING DIE     |
| 16    | PBS99/14V2.16 | 3" BENDING DIE         |
| 17    | PBS99/14V2.17 | JACK HANDLE            |