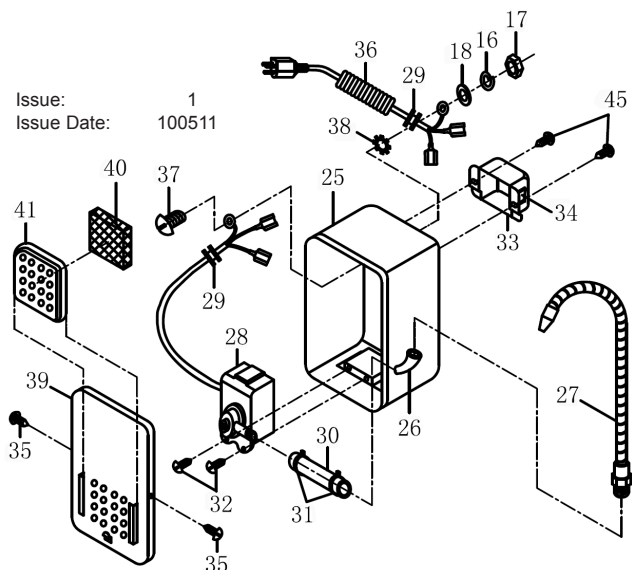


ITEM	PART NO	DESCRIPTION
1	SM19.V2-01	TANK
4	SM19.V2-04	COVER
6	SM19.V2-06	SAFETY LEVER COMPLETE
18	SM19.V2-18	O-RING
19	SM19.V2-19	PLUG
20	SM19.V2-20	SHELF
21	SM28.21	LEG
22	SM19.V2-22	SCREW, PAN HEAD
23	SM19.V2-23	SPRING WASHER
24	SM19.V2-24	NUT
42	SM19.V2-42	SHELF, INTERNAL
43	SM19.V2-43	LEG, INTERNAL SHELF (not shown)
44	SM19.V2-44	BASKET
46	SM28.46	CASTOR WHEEL (WITH BRAKE)
47	SM28.47	CASTOR WHEEL (WITHOUT BRAKE)
48	SM28.48	NUT
49	SM28.49	WASHER

Issue: 1
 Issue Date: 100511

PUMP ASSEMBLY

ITEM	PART NO	DESCRIPTION
16	SM28.16	SPRING WASHER
17	SM19.V2-17	NUT
25	SM19.V2-25	PUMP HOUSING
26	SM19.V2-26	ELBOW
27	SM19.V2-27	FLEXIBLE PIPE
28	SM19.V2-28	PUMP
29	SM19.V2-29	STRAIN RELIEF
30	SM19.V2-30	HOSE
31	SM19.V2-31	HOSE CLAMP
32	SM19.V2-32	SCREW, TAPPING
33	SM19.V2-33	SWITCH BOX
34	SM19.V2-34	SWITCH
35	SM19.V2-35	SCREW, TAPPING
36	SM28.36	POWER CORD
37	SM19.V2-37	SCREW, PAN HEAD
38	SM28.38	STAR WASHER
39	SM19.V2-39	PUMP HOUSING COVER
40	SM19.V2-40	FILTER
41	SM19.V2-41	FILTER COVER
45	SM19.V2-45	SCREW, TAPPING



Issue: 1
 Issue Date: 100511

NOTE: It is our policy to continually improve products and as such we reserve the right to alter data, specifications and component parts without prior notice.

IMPORTANT: No liability is accepted for incorrect use of product.

WARRANTY: Guarantee is 12 months from purchase date, proof of which will be required for any claim.

INFORMATION: For a copy of our latest catalogue and promotions call us on 01284 757525 and leave your full name and address, including postcode.