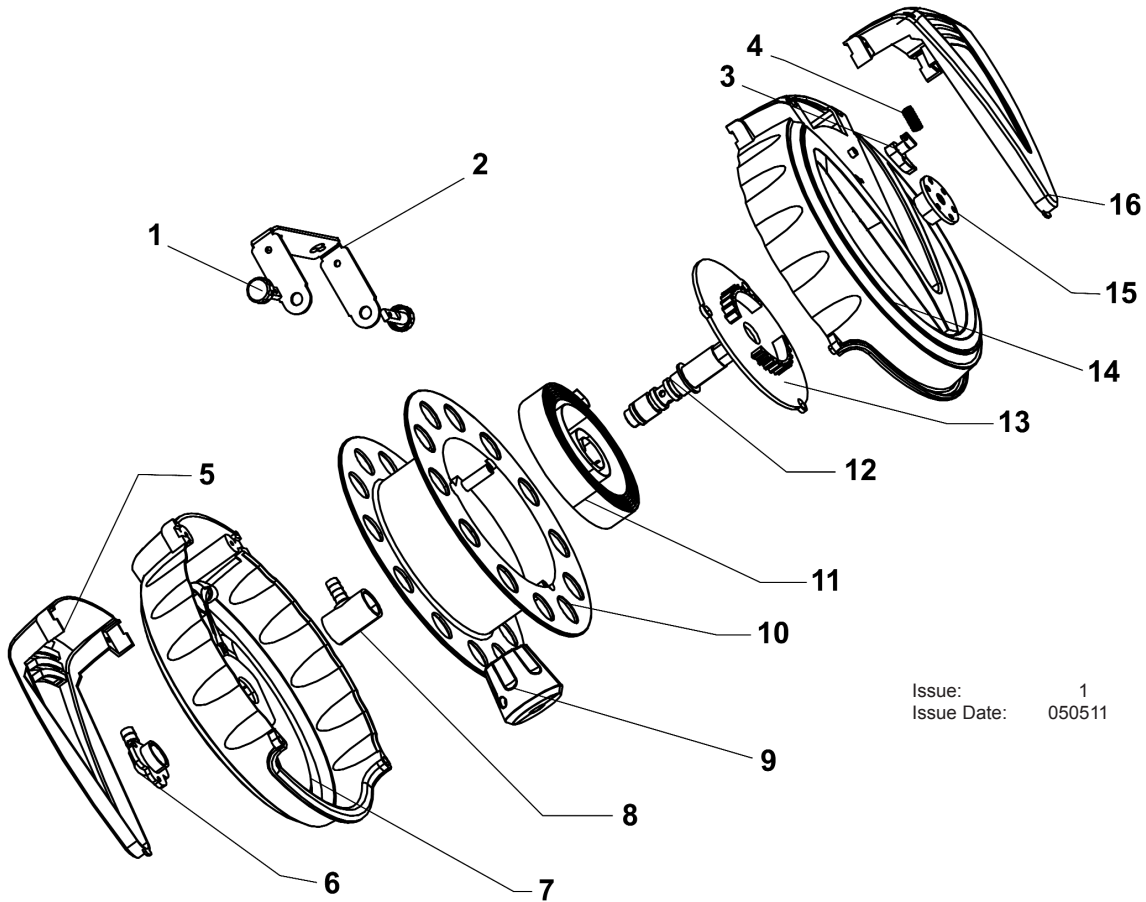


PARTS FOR:
RETRACTABLE AIR HOSE REEL
6.5mtr ID PU HOSE
MODEL: SA811



Issue: 1
 Issue Date: 050511

ITEM	PART NO	DESCRIPTION
1	SA811.01	WALL BRACKET PIN
2	SA811.02	WALL BRACKET
3	SA811.03	RATCHET PAWL
4	SA811.04	SPRING
5	SA811.05	RIGHT HAND CASE COVER
6	SA811.06	INLET HOSE CONNECTOR
7	SA811.07	RIGHT HAND CASE
8	SA811.08	INNER HOSE CONNECTOR
9	SA811.09	STOP BALL
10	SA811.10	DRUM
11	SA811.11	MAIN SPRING
12	SA811.12	MAIN SHAFT
13	SA811.13	RATCHET
14	SA811.14	LEFT HAND CASE
15	SA811.15	TENSION COVER
16	SA811.16	LEFT HAND CASE COVER
--	SA811.H	HOSE 6.5mtr (not shown)
--	SA811.H2	AIR INLET HOSE (not shown)

NOTE: It is our policy to continually improve products and as such we reserve the right to alter data, specifications and component parts without prior notice.

IMPORTANT: No liability is accepted for incorrect use of product.

WARRANTY: Guarantee is 12 months from purchase date, proof of which will be required for any claim.

INFORMATION: For a copy of our latest catalogue and promotions call us on 01284 757525 and leave your full name and address, including postcode.