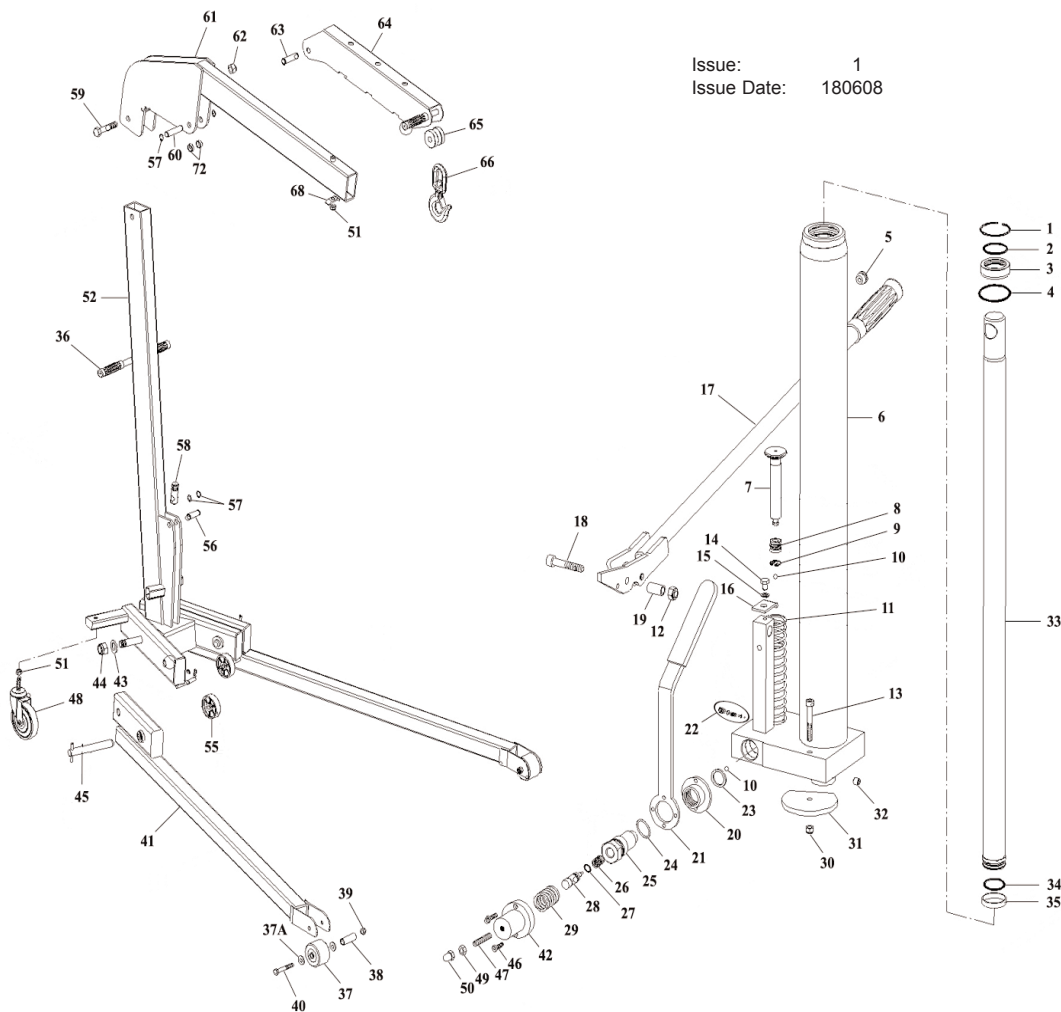


Issue: 1  
Issue Date: 180608



ITEM	PART NO	DESCRIPTION	ITEM	PART NO	DESCRIPTION
1	MG-12/1361	RING	35	MG-10/1164	RING
2	FC-20A/1348	O-RING	36	BM-04/1452	GRIP
3	FC-20A/1499	BUSHING	37	NC-15/1213	WHEEL
4	MGH-15/1136	O-RING	38	PH-15/1404	BUSHING
5	ME-12001/1139	PLUG	39	MI-10/1397	NUT
6	FC-20A/C25	HYDRAULIC CYLINDER	40	PH-15/1190	SCREW
7	FMG-300/1110	PUMP PISTON	41	FC-20A/C4	FRAME
8	TJ-2/1133	SEAL	42	FC-5A-2298	RELEASE VALVE CAP
9	MGG-500/1161	SPRING	43	FC-20/1649	WASHER
10	ME-1501/1149	STEEL BALL	44	FC-20/1648	NUT
11	AP-100/1241	SPRING	45	FC-20/1657	LOCKING PIN
12	EF-1.5/1318	NUT	46	CSR-55-1634	SCREW
13	ND-2/1814	SCREW	47	FC-5A-1246	SET SCREW
14	FC-10A/1470	SCREW	48	FC-20/1214	CASTOR WHEEL
15	FC-10A/1249	WASHER	49	FC-5A-1532	SCREW
16	FC-10A/1279	STOP	50	FC-5A-2150	SCREW
17	FC-10A/C21	HANDLE	51	MB-22-B/1398	NUT
18	AP-100/1345-A	SCREW	52	FC-20A/C23	UPRIGHT
19	FMG-300A/1475	BUSHING	55	W-1/1214	WHEEL
20	FC-5A-2297	RELEASE HANDLE SUPPORT	56	FC-20A/1189	PIN
21	FC-5A-1369	RELEASE HANDLE	57	MI-10/1377	RETAINING RING
22	MG-2/C9	SAFETY VAVLE	58	FC-20A/1122-1	MOUNTING PIN
23	TJ-2/1120	WASHER	59	PH-15/1191	SCREW
24	MG-3/1134	O-RING	60	FC-20A/1194	PIN
25	FC-10A/C42	NUT	61	FC-20A/C3	JIB
26	TJ-2/1527	SPRING	62	PH-15/1216	NUT
27	ME-1501/1132	O-RING	63	PH-15/1141	PIN
28	TJ-1.5/1125	RELEASE ROD	64	FC-20A/1158	JIB EXTENSION
29	FC-5A-2296	SPRING	65	NC-15/1407	BUSHING
30	FMG-300A/1318	NUT	66	NC-20A/1166	HOOK
31	FC-20A/1669	STOP	68	NC-20A/1638	PLATE
32	MA-2/2142	SCREW	72	FC-20/1180	BUSHING
33	FC-20A/C14	MAIN PISTON	73	RFC-20A	REPAIR KIT
34	MG-10/1134	O-RING	74	FC-20A/C2	HYDRAULIC UNIT

**NOTE:** It is our policy to continually improve products and as such we reserve the right to alter data, specifications and component parts without prior notice.

**IMPORTANT:** No liability is accepted for incorrect use of product.

**WARRANTY:** Guarantee is 12 months from purchase date, proof of which will be required for any claim.

**INFORMATION:** For a copy of our latest catalogue and promotions call us on 01284 757525 and leave your full name and address, including postcode.