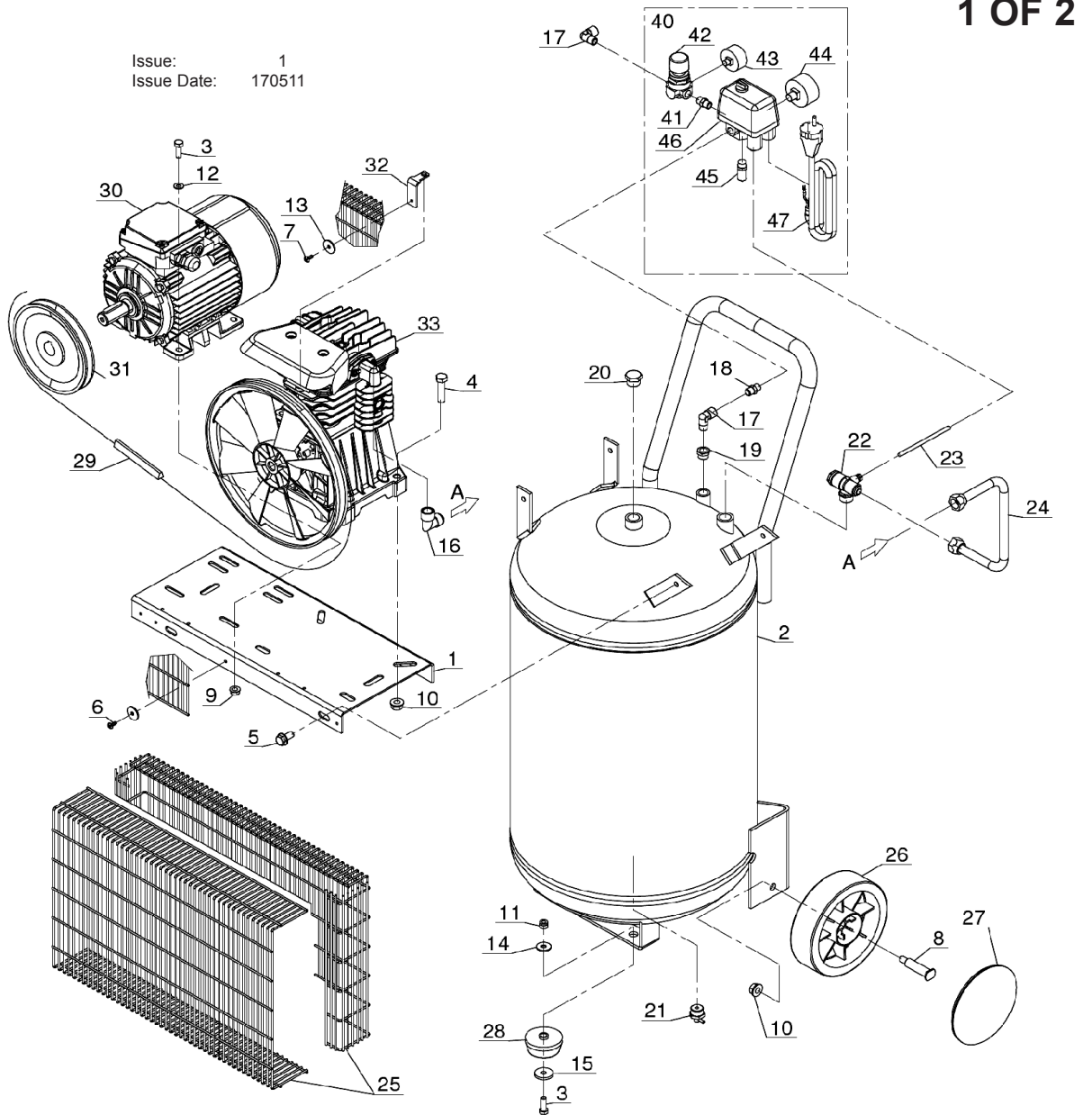


Issue: 1
 Issue Date: 170511



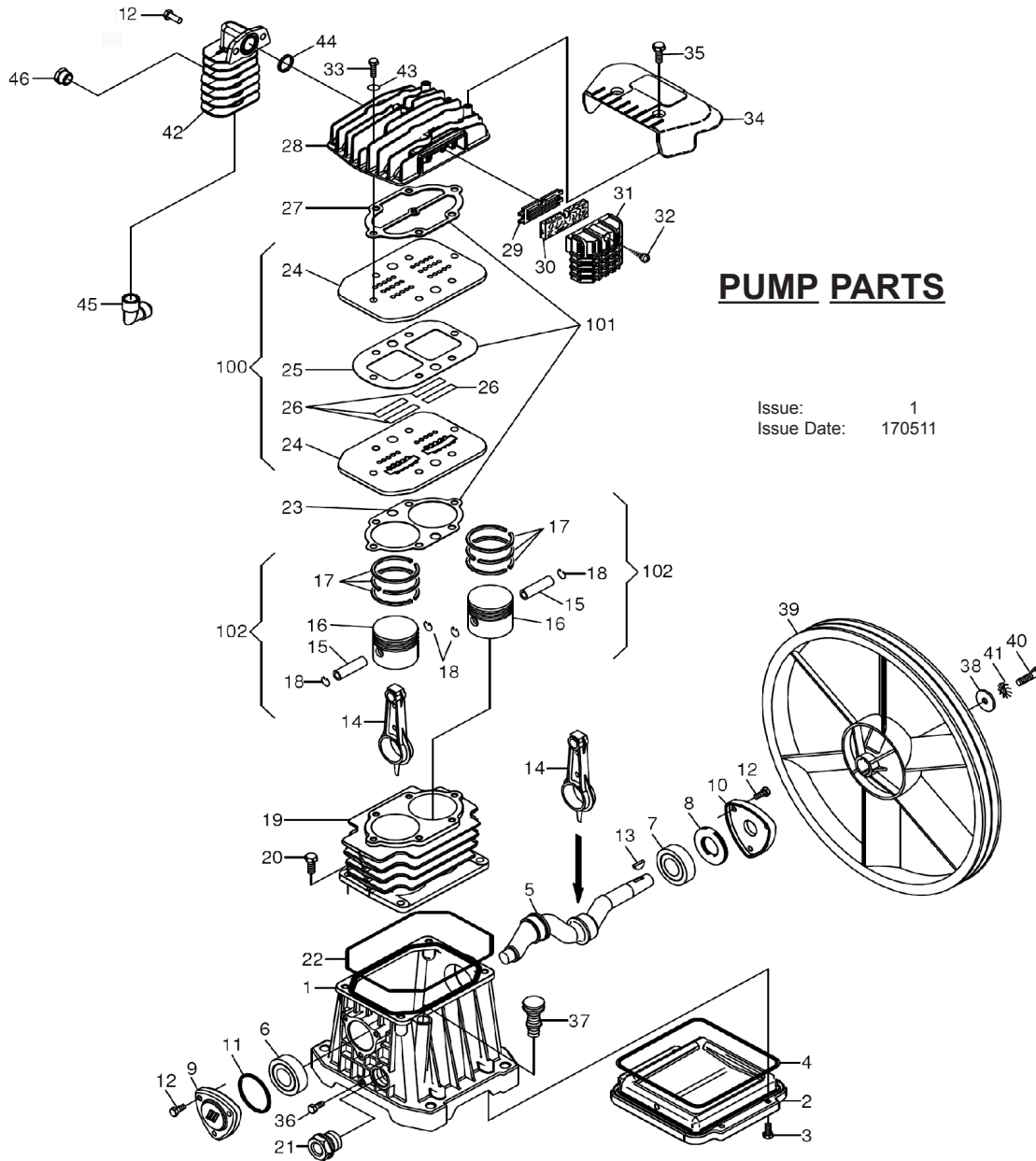
ITEM	PART NO	DESCRIPTION	ITEM	PART NO	DESCRIPTION	ITEM	PART NO	DESCRIPTION
1	SAC5010140008	BASE PLATE	15	SAC7030270000	WASHER	29	SAC7371050000	BELT
2	SAC5150320008	TANK 90ltr	16	SAC7080160000	ELBOW	30	SAC7381400000	MOTOR
3	SAC7011100000	BOLT (M8x25)	17	SAC7080180000	ELBOW	31	SAC7409570000	MOTOR PULLEY
4	SAC7011120000	SCREW (M10x45)	18	SAC7081090000	JOINT 1/4"	32	SAC7458510000	BELT GUARD SUPPORT
5	SAC7011410000	BOLT (M10x20)	19	SAC7085190000	JOINT	33	SAC9101880000	PUMP UNIT
6	SAC7012090000	BOLT (M5x12)	20	SAC7090030000	PLUG 1/2	40	SAC4057690000	PRESSURE SWITCH KIT
7	SAC7012170000	SCREW (M5x8)	21	SAC7130310000	DRAIN VALVE	41	SAC7081090000	JOINT 1/4"
8	SAC7018290000	WHEEL BOLT	22	SAC7190190000	NON-RETURN VALVE	42	SAC7100640000	PRESSURE REDUCER
9	SAC7020240000	NUT (M8)	23	SAC7230010000	HOSE	43	SAC7110240000	PRESSURE GAUGE (d.40)
10	SAC7020250000	NUT (M10)	24	SAC7237000000	DELIVERY PIPE	44	SAC7110300000	PRESSURE GAUGE (d.50)
11	SAC7021030000	NUT M8	25	SAC7240220000	BELT GUARD	45	SAC7192010000	SAFETY VALVE
12	SAC7030030000	WASHER	26	SAC7260290000	WHEEL	46	SAC7250360000	PRESSURE SWITCH
13	SAC7030050000	WASHER (6x24)	27	SAC7261040000	WHEEL COVER	47	SAC7329010000	POWER CABLE
14	SAC7030120000	WASHER (8x24x2)	28	SAC7360250000	RUBBER FOOT			

NOTE: It is our policy to continually improve products and as such we reserve the right to alter data, specifications and component parts without prior notice.

IMPORTANT: No liability is accepted for incorrect use of product.

WARRANTY: Guarantee is 12 months from purchase date, proof of which will be required for any claim.

INFORMATION: For a copy of our latest catalogue and promotions call us on 01284 757525 and leave your full name and address, including postcode.



PUMP PARTS

Issue: 1
 Issue Date: 170511

ITEM	PART NO	DESCRIPTION	ITEM	PART NO	DESCRIPTION	ITEM	PART NO	DESCRIPTION
1	SAC9700001075	CRANKCASE	18	SAC9100270070	SEEGER RING	35	SAC7012090000	BOLT (M5x12)
2	SAC9700001076	CRANKCASE COVER	19	SAC9100270080	CYLINDER	36	SAC7011460000	SCREW
3	SAC9700000531	SCREW (M5x12)	20	SAC7012220000	SCREW	37	SAC9100280110	BREATHER PLUG
4	SAC9700001077	CRANKCASE BASE SEAL	21	SAC9100280070	OIL LEVEL SIGHT GLASS	38	SAC7030270000	WASHER
5	SAC9100270140	CRANKSHAFT	22	SAC9100270180	CRANKCASE SEAL	39	SAC9100270230	FLYWHEEL
6	SAC7060180000	BEARING 6203	23	SAC9100270190	CYLINDER GASKET	40	SAC7011100000	BOLT (M8x25)
7	SAC7060200000	BEARING 6204	24	SAC9100270090	VALVE PLATE	41	SAC7031010000	TOOTHED WASHER
8	SAC9100270150	OIL SEAL	25	SAC9100270200	VALVE PLATE GASKET	42	SAC9100270270	AFTERCOOLER
9	SAC9100270160	FRONT COVER	26	SAC9100280090	VALVE REED	43	SAC7030030000	WASHER
10	SAC9100270170	REAR COVER	27	SAC9100270210	HEAD GASKET	44	SAC9100270280	O-RING
11	SAC9100280010	O-RING	28	SAC9100270100	HEAD	45	SAC7080160000	ELBOW
12	SAC7011420000	SCREW (M6x16)	29	SAC7458340000	FILTER PLATE	46	SAC9700000693	PLUG 3/8"
13	SAC9100280020	KEY	30	SAC7210010000	FILTER ELEMENT	100	SAC9100270260	VALVE PLATE KIT
14	SAC9100270010	CON-ROD	31	SAC9100270240	INTAKE FILTER	101	SAC9700000078	GASKET KIT
15	SAC9100270020	PISTON PIN	32	SAC7012100000	SCREW (4.2x19)	102	SAC97000010170	PISTON GROUP
16	SAC9100270030	PISTON	33	SAC9700010108	HEAD BOLT			
17	SAC4080120000	PISTON RING SET	34	SAC9100270220	COVER			

NOTE: It is our policy to continually improve products and as such we reserve the right to alter data, specifications and component parts without prior notice.

IMPORTANT: No liability is accepted for incorrect use of product.

WARRANTY: Guarantee is 12 months from purchase date, proof of which will be required for any claim.

INFORMATION: For a copy of our latest catalogue and promotions call us on 01284 757525 and leave your full name and address, including postcode.