

Issue: 1
 Issue Date: 280311

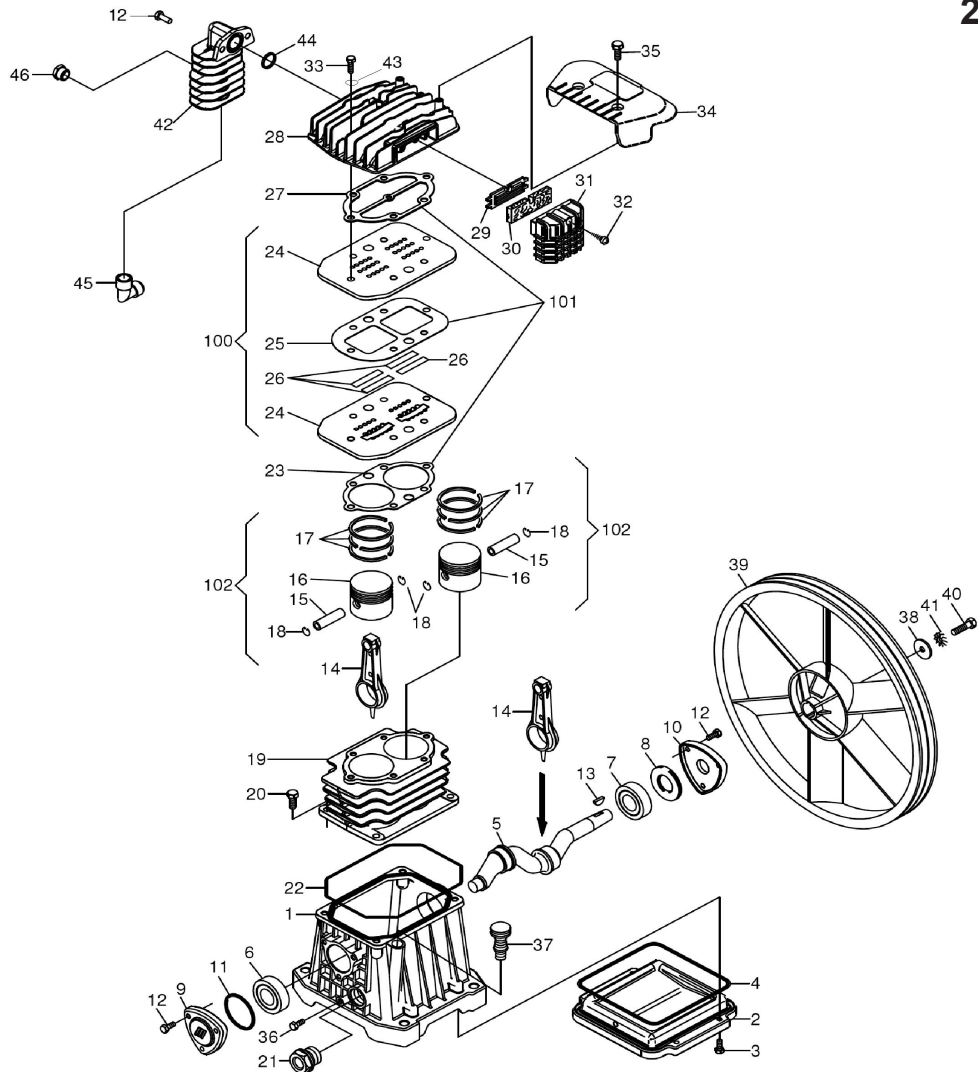
ITEM	PART NO	DESCRIPTION	ITEM	PART NO	DESCRIPTION
1	SAC5010140008	BASE PLATE	20	SAC7090070000	PLUG 1/4"
2	SAC5010570008	BASE PLATE	21	SAC7110250000	PRESSURE GAUGE
3	SAC5155200008	TANK 270ltr	22	SAC7130150000	TAP
4	SAC5160270008	CONTROL BOX SUPPORT	23	SAC7130160000	OUTLET TAP
5	SAC7011110000	BOLT (M8x30)	24	SAC7190090000	NON-RETURN VALVE
6	SAC7011120000	SCREW (M10x45)	25	SAC7192090000	SAFETY VALVE
7	SAC70111410000	BOLT (M10x20)	26	SAC7194030000	SOLENOID VALVE
8	SAC7012090000	BOLT (M5x12)	27	SAC7237730000	DELIVERY PIPE
9	SAC7012170000	SCREW (M5x8)	28	SAC7237750000	DELIVERY PIPE
10	SAC7020240000	NUT (M8)	29	SAC4170160000	BELT GUARD KIT
11	SAC7020250000	NUT (M10)	30	SAC4170030000	BELT GUARD KIT
12	SAC7023050000	LOCK NUT	31	SAC7250360000	PRESSUE SWITCH
13	SAC7030030000	WASHER	32	SAC7371050000	BELT
14	SAC7030050000	WASHER (6x24)	33	SAC7381400000	MOTOR
15	SAC7030190000	WASHER (6x18)	34	SAC7409570000	MOTOR PULLEY
16	SAC7030450000	WASHER	35	SAC7430120000	CONTROL BOX
17	SAC7080130000	ELBOW (3/8"x1/2")	36	SAC7458510000	BELT GUARD SUPPORT
18	SAC7080160000	ELBOW	37	SAC9101880000	PUMP UNIT
19	SAC7088060000	CONNECTOR			

NOTE: It is our policy to continually improve products and as such we reserve the right to alter data, specifications and component parts without prior notice.

IMPORTANT: No liability is accepted for incorrect use of product.

WARRANTY: Guarantee is 12 months from purchase date, proof of which will be required for any claim.

INFORMATION: For a copy of our latest catalogue and promotions call us on 01284 757525 and leave your full name and address, including postcode.



Issue: 1
 Issue Date: 280311

ITEM	PART NO	DESCRIPTION	ITEM	PART NO	DESCRIPTION
1	SAC9700001075	CRANKCASE	26	SAC9100280090	VALVE REED
2	SAC9700001076	CRANKCASE COVER	27	SAC9100270210	HEAD GASKET
3	SAC9700000531	SCREW (M5x12)	28	SAC9100270100	HEAD
4	SAC9700001077	CRANKCASE BASE SEAL	29	SAC7458340000	FILTER PLATE
5	SAC9100270140	CRANKSHAFT	30	SAC7210010000	FILTER ELEMENT
6	SAC7060180000	BEARING	31	SAC9100270240	INTAKE FILTER
7	SAC7060200000	BEARING	32	SAC7012100000	SCREW (4.2x19)
8	SAC9100270150	OIL SEAL	33	SAC97000010108	HEAD BOLT
9	SAC9100270160	FRONT COVER	34	SAC9100270220	COVER
10	SAC9100270170	REAR COVER	35	SAC7012090000	BOLT (M5x12)
11	SAC9100280010	O-RING	36	SAC7011460000	SCREW
12	SAC7011420000	SCREW (M6x16)	37	SAC9100280110	BREATHER PLUG
13	SAC9100280020	KEY	38	SAC7030270000	WASHER
14	SAC9100270010	CON-ROD	39	SAC9100270230	FLYWHEEL
15	SAC9100270020	PISTON PIN	40	SAC7011100000	BOLT (M8x25)
16	SAC9100270030	PISTON	41	SAC7031010000	TOOTHED WASHER
17	SAC4080120000	PISTON RING SET	42	SAC9100270270	AFTERCOOLER
18	SAC9100270070	SEEGER RING	43	SAC7030030000	WASHER
19	SAC9100270080	CYLINDER	44	SAC9100270280	O-RING
20	SAC7012220000	SCREW	45	SAC7080160000	ELBOW
21	SAC9100280070	OIL LEVEL SIGHT GLASS	46	SAC9700000693	PLUG 3/8"
22	SAC9100270180	CRANKCASE SEAL	100	SAC9100270260	VALVE PLATE KIT
23	SAC9100270190	CYLINDER GASKET	101	SAC9700000078	GASKET KIT
24	SAC9100270090	VALVE PLATE	102	SAC97000010170	PISTON GROUP
25	SAC9100270200	VALVE PLATE GASKET			

NOTE: It is our policy to continually improve products and as such we reserve the right to alter data, specifications and component parts without prior notice.

IMPORTANT: No liability is accepted for incorrect use of product.

WARRANTY: Guarantee is 12 months from purchase date, proof of which will be required for any claim.

INFORMATION: For a copy of our latest catalogue and promotions call us on 01284 757525 and leave your full name and address, including postcode.