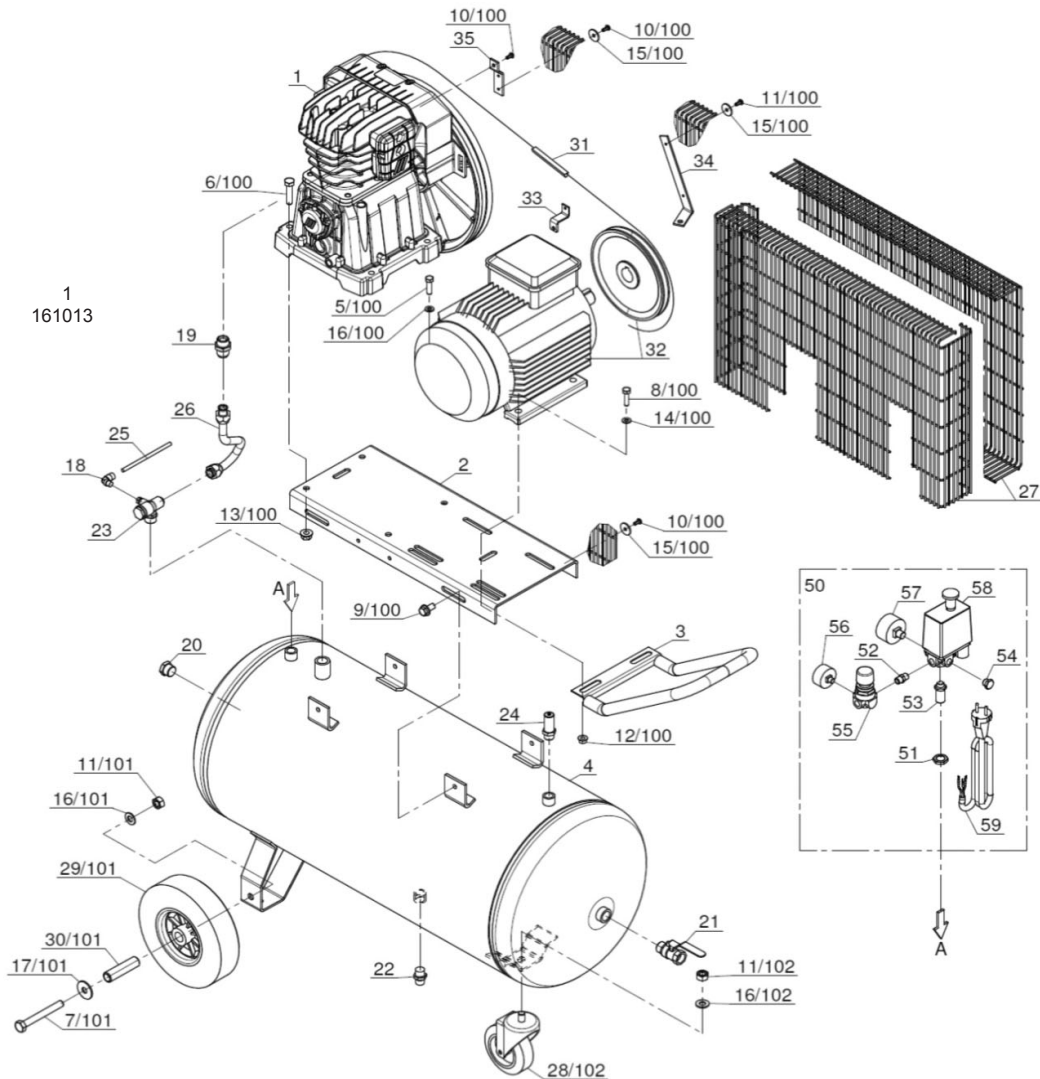


Issue: 1
 Issue Date: 161013



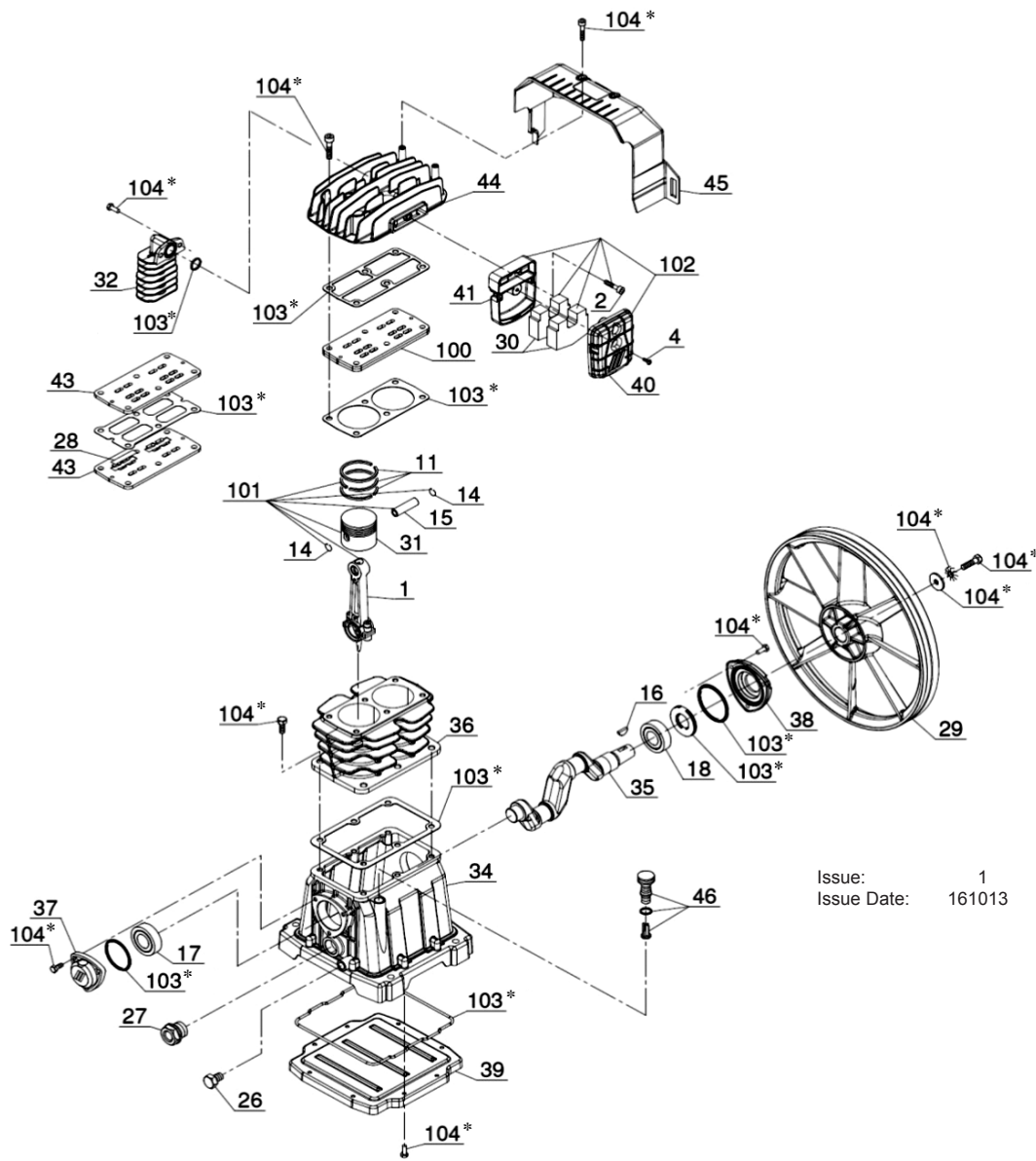
ITEM	PART NO	DESCRIPTION	ITEM	PART NO	DESCRIPTION
1	SAC3020041000	PUMP UNIT	25	SAC7230010000	RISLAN HOSE
2	SAC5010940008	BASE PLATE	26	SAC7238810000	INFEEED HOSE
3	SAC5140100008	HANDLE	27	SAC4170130000	BELT GUARD KIT
4	SAC5159151008	TANK 100ltr	28	SAC7260030000	CASTOR WHEEL 99x40x8
5	SAC7011110000	BOLT M8X30	29	SAC7260470000	WHEEL 176X52X20
6	SAC7011120000	SCREW (M10x45)	30	SAC7330010000	WHEEL SPACER
7	SAC7011230000	SCREW (M12x80)	31	SAC7370410000	BELT 3V 530
8	SAC7011350000	SCREW (M8x35)	32	SAC4151600000	MOTOR/PULLEY KIT
9	SAC7011410000	BOLT (M10x20)	33	SAC7458860000	BELT GUARD SUPPORT
10	SAC7012090000	PHILLIPS BOLT M5X12	34	SAC7459260000	BELT GUARD SUPPORT
11	SAC7020100000	NUT	35	SAC7459670000	BELT GUARD SUPPORT
12	SAC7020240000	NUT (M8)	50	SAC4057700000	PRESSURE SWITCH KIT
13	SAC7020250000	NUT (M10)	51	SAC7023050000	LOCK NUT
14	SAC7030030000	WASHER	52	SAC7081090000	JOINT 1/4"
15	SAC7030050000	WASHER (6x24)	53	SAC7088060000	CONNECTOR
16	SAC7030140000	WASHER	54	SAC7090090000	PLUG 1/4"
17	SAC7030200000	WASHER (12x36)	55	SAC7100640000	PRESSURE REDUCER
18	SAC7080140000	ELBOW 1/8"	56	SAC7110240000	PRESSURE GAUGE 240psi
19	SAC7081040000	JOINT 1/2"	57	SAC7110300000	PRESS GAUGE 230PSI
20	SAC7090030000	PLUG 1/2"	58	SAC7250360000	PRESSUE SWITCH
21	SAC7130150000	TAP 1/2" F/F	59	SAC7329050000	INFEEED CABLE
22	SAC7130160000	TAP 3/8"	100	SAC4080500000	SCREW KIT
23	SAC7190190000	NON-RETURN VALVE	101	SAC4083760000	RUBBER FOOT KIT
24	SAC7192090000	SAFETY VALVE 3/8"	102	SAC4083060000	PIVOT WHEEL KIT

NOTE: It is our policy to continually improve products and as such we reserve the right to alter data, specifications and component parts without prior notice.

IMPORTANT: No liability is accepted for incorrect use of product.

WARRANTY: Guarantee is 12 months from purchase date, proof of which will be required for any claim.

INFORMATION: For a copy of our latest catalogue and promotions call us on 01284 757525 and leave your full name and address, including postcode.



Issue: 1
 Issue Date: 161013

ITEM	PART NO	DESCRIPTION	ITEM	PART NO	DESCRIPTION
1	SAC9105450240	CON-ROD	35	SAC9105450250	CRANKSHAFT
11	SAC4080070000	PISTON RING SET	36	SAC9105450060	CYLINDER
14	SAC7041410000	RING	37	SAC9105450070	FRONT COVER
15	SAC7050110000	PISTON PIN (15x55)	38	SAC9105450080	REAR COVER
16	SAC7051510000	KEY (5x7.5)	39	SAC9105450090	BOTTOM COVER
17	SAC7060060000	BEARING 6205	44	SAC9105450180	HEAD
18	SAC7060150000	BEARING 6206	45	SAC7153140000	COVER
26	SAC7090090000	PLUG 1/4"	46	SAC9700001377	VENT PLUG
27	SAC7180060000	OIL SIGHT GLASS	100	SAC4231260000	VALVE PLATE KIT
29	SAC7201010000	FLYWHEEL	101	SAC4291070000	CON-ROD/PISTON KIT
31	SAC7220090000	PISTON	102	SAC4250130000	INTAKE FILTER KIT
32	SAC9100270270	AFTERCOOLER	103	SAC4081990000	GASKET KIT
34	SAC9105450010	CRANKCASE	104	SAC4080480000	SCREW KIT

NOTE: It is our policy to continually improve products and as such we reserve the right to alter data, specifications and component parts without prior notice.
IMPORTANT: No liability is accepted for incorrect use of product.
WARRANTY: Guarantee is 12 months from purchase date, proof of which will be required for any claim.
INFORMATION: For a copy of our latest catalogue and promotions call us on 01284 757525 and leave your full name and address, including postcode.