

Issue: 1
 Issue Date: 161210

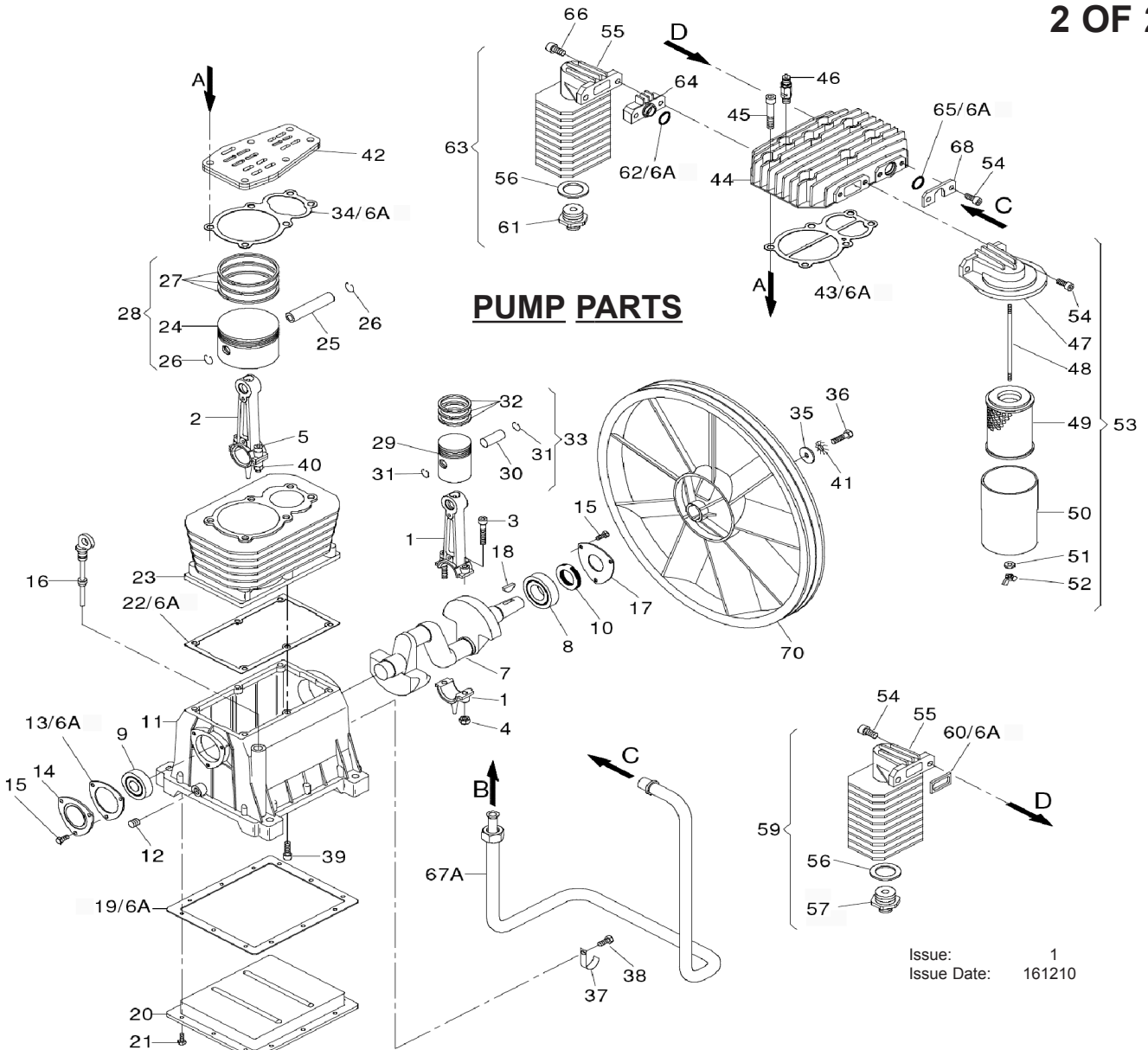
ITEM	PART NO	DESCRIPTION	ITEM	PART NO	DESCRIPTION
1	SAC3020991000	PUMP UNIT	19	SAC7130150000	TAP
2	SAC5010850008	BASE PLATE	20	SAC7130160000	OUTLET TAP
3	SAC5150300008	TANK 200ltr	21	SAC7190090000	NON-RETURN VALVE
4	SAC7010010000	BOLT (M6x16)	22	SAC7192090000	SAFETY VALVE
5	SAC7011120000	SCREW (M10x45)	23	SAC7230010000	HOSE
6	SAC7011160000	BOLT (M10x30)	24	SAC7239640000	DELIVERY PIPE
7	SAC7011170000	BOLT (M10x35)	25	SAC4170100000	BELT GUARD KIT
8	SAC7012090000	BOLT (M5x12)	26	SAC7371410000	BELT (A69)
9	SAC7020200000	NUT (M6)	27	SAC7380850000	MOTOR
10	SAC7020250000	NUT (M10)	28	SAC7407300000	MOTOR PULLEY
11	SAC7030020000	WASHER	29	SAC7458250000	BELT GUARD SUPPORT
12	SAC7030040000	WASHER	40	SAC4051670000	PRESSURE SWITCH KIT
13	SAC7030050000	WASHER (6x24)	41	SAC7082690000	JOINT
14	SAC7030060000	WASHER	42	SAC7090070000	PLUG 1/4"
15	SAC7085020000	JOINT	43	SAC7250490000	PRESSURE SWITCH
16	SAC7090030000	PLUG 1/2	44	SAC7328690000	POWER CABLE
17	SAC7090080000	PLUG 3/8	45	SAC7328700000	PRESSURE SWITCH CABLE
18	SAC7110060000	PRESSURE GAUGE			

NOTE: It is our policy to continually improve products and as such we reserve the right to alter data, specifications and component parts without prior notice.

IMPORTANT: No liability is accepted for incorrect use of product.

WARRANTY: Guarantee is 12 months from purchase date, proof of which will be required for any claim.

INFORMATION: For a copy of our latest catalogue and promotions call us on 01284 757525 and leave your full name and address, including postcode.



Issue: 1
 Issue Date: 161210

ITEM	PART NO	DESCRIPTION	ITEM	PART NO	DESCRIPTION	ITEM	PART NO	DESCRIPTION
1	SAC4190190008	CONNECTING ROD (HIGH)	24	SAC7220110000	PISTON (LOW)	47	SAC5130020008	FILTER COVER
2	SAC4190200008	CONNECTING ROD (LOW)	25	SAC7050120000	PISTON PIN	48	SAC7015150000	TENSION ROD
3	SAC7011680000	SCREW (M8x45)	26	SAC7040130000	SEEGER RING	49	SAC7210240000	FILTER CARTRIDGE
4	SAC7022040000	LOCK NUT	27	SAC4080100000	PISTON RING SET (LOW)	50	SAC7210250000	FILTER CASING
5	SAC7011220000	SCREW (M6x40)	28	SAC4291080000	PISTON GROUP (LOW)	51	SAC7031030000	WASHER
6A	SAC4082550000	GASKET SET	29	SAC7220120000	PISTON (HIGH)	52	SAC7024150000	NUT M6
7	SAC5041030008	CRANKSHAFT	30	SAC7050130000	PISTON PIN	53	SAC4250020000	FILTER GROUP
8	SAC7060150000	BEARING 6206	31	SAC7040140000	SEEGER RING	54	SAC7010050000	SCREW (M8x20)
9	SAC7060060000	BEARING 6205	32	SAC4080080000	PISTON RING SET (HIGH)	55	SAC5130010008	AFTERCOOLER
10	SAC7071060000	OIL SEAL	33	SAC4291090000	PISTON GROUP (HIGH)	56	SAC7079090000	WASHER
11	SAC5071020008	CRANKCASE	34	SAC7079170000	HEAD GASKET	57	SAC5131000008	JOINT
12	SAC7090090000	PLUG 1/4"	35	SAC7030270000	WASHER	59	SAC4251080000	AFTER COOLER GROUP
13	SAC7079160000	GASKET	36	SAC7011100000	BOLT (M8x25)	60	SAC7079100000	AFTER COOLER GASKET
14	SAC7650070000	FRONT COVER	37	SAC7043050000	CLAMP	61	SAC7081220000	JOINT
15	SAC7011460000	SCREW	38	SAC7012280000	SCREW (5x10)	62	SAC7070120000	O-RING
16	SAC7181100000	DIPSTICK	39	SAC7010090000	SCREW (M8x25)	63	SAC4251060000	AFTER COOLER GROUP
17	SAC7650080000	REAR COVER	40	SAC7010090000	SCREW (M8x25)	64	SAC7458430000	ADAPTOR
18	SAC7051520000	KEY	41	SAC7030360000	TOOTHED WASHER	65	SAC7070260000	O-RING
19	SAC7079190000	BASE GASKET	42	SAC9106600000	VALVE PLATE KIT	66	SAC7010070000	SCREW (M8x40)
20	SAC7650090000	CRANKCASE BASE	43	SAC7079180000	HEAD GASKET	67A	SAC7230700000	DELIVERY TUBE
21	SAC7011440000	SCREW (5x15)	44	SAC5030530008	HEAD	68	SAC7458420000	STOP PLATE
22	SAC7079150000	CYLINDER GASKET	45	SAC7010430000	HEAD BOLT	70	SAC7201240000	FLYWHEEL
23	SAC7575260000	CYLINDER	46	SAC7192350000	SAFETY VALVE			

NOTE: It is our policy to continually improve products and as such we reserve the right to alter data, specifications and component parts without prior notice.

IMPORTANT: No liability is accepted for incorrect use of product.

WARRANTY: Guarantee is 12 months from purchase date, proof of which will be required for any claim.

INFORMATION: For a copy of our latest catalogue and promotions call us on 01284 757525 and leave your full name and address, including postcode.