

Issue: 1
 Issue Date: 231210

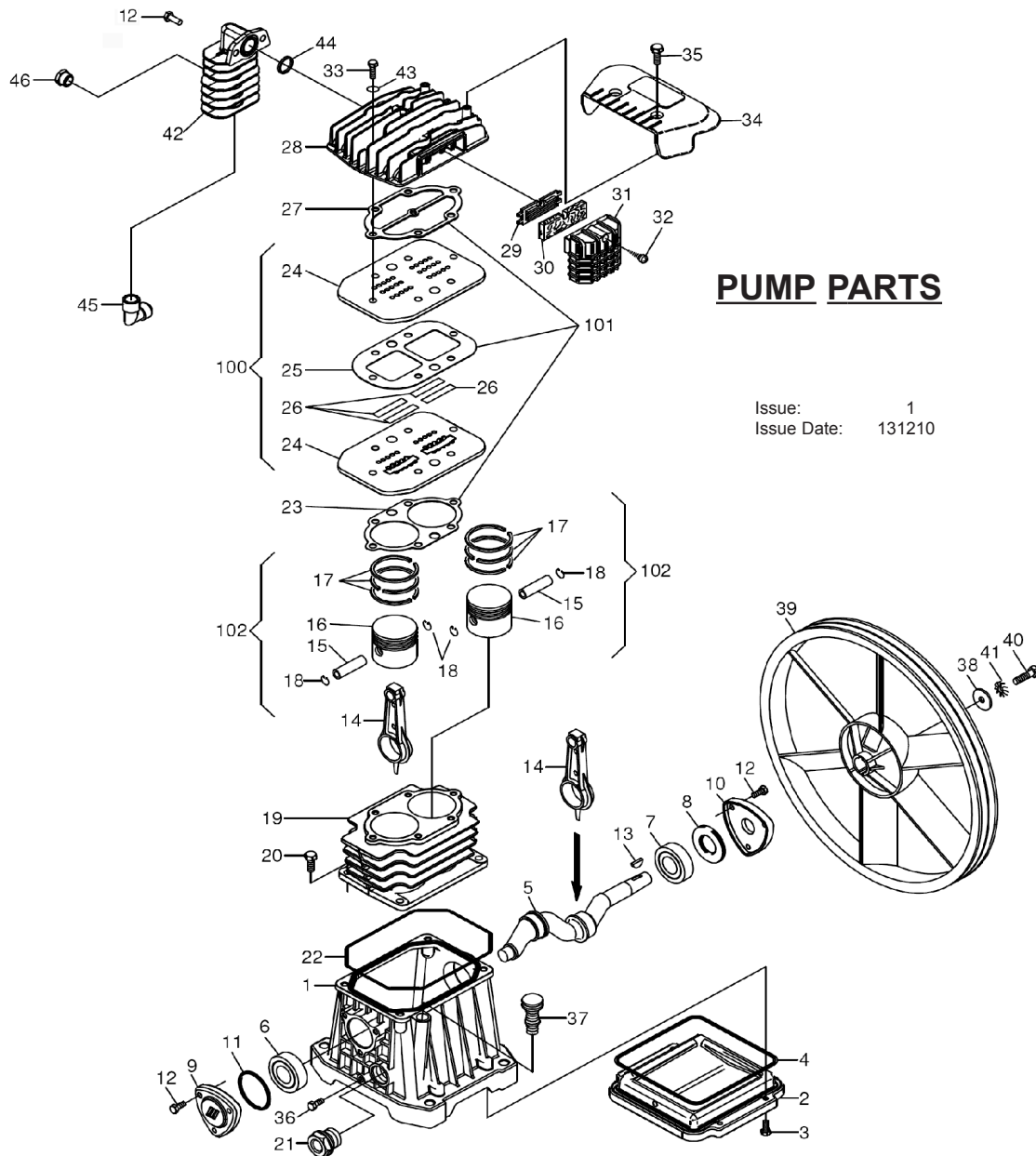
ITEM	PART NO	DESCRIPTION	ITEM	PART NO	DESCRIPTION
1	SAC5010990008	BASE PLATE	24	SAC7230010000	HOSE
2	SAC5159140008	TANK 50ltr	25	SAC7234620000	DELIVERY PIPE
3	SAC7011100000	BOLT (M8x25)	26	SAC4170010000	BELT GUARD KIT
4	SAC7011120000	SCREW (M10x45)	27	SAC7260360000	CASTOR WHEEL
5	SAC7011230000	SCREW (M12x80)	28	SAC7260470000	WHEEL
6	SAC7011410000	BOLT (M10x20)	29	SAC7330010000	WHEEL SPACER
7	SAC7012090000	BOLT (M5x12)	30	SAC7360020000	END PLUG
8	SAC7012170000	SCREW (M5x8)	31	SAC7371050000	BELT
9	SAC7020100000	NUT	32	SAC7381400000	MOTOR
10	SAC7020240000	NUT (M8)	33	SAC7409570000	MOTOR PULLEY
11	SAC7020250000	NUT (M10)	34	SAC7458510000	BELT GUARD SUPPORT
12	SAC7030030000	WASHER	35	SAC9101880000	PUMP UNIT
13	SAC7030050000	WASHER (6x24)	40	SAC4057620000	PRESSURE SWITCH KIT
14	SAC7030140000	WASHER	41	SAC7023050000	LOCK NUT
15	SAC7030190000	WASHER (6x18)	42	SAC7081090000	JOINT 1/4"
16	SAC7030200000	WASHER (12x36)	43	SAC7088060000	CONNECTOR
17	SAC7080130000	ELBOW (3/8"x1/2")	44	SAC7090090000	PLUG 1/4"
18	SAC7080160000	ELBOW	45	SAC7100640000	PRESSURE REDUCER
19	SAC7090030000	PLUG 1/2	46	SAC7110240000	PRESSURE GAUGE
20	SAC7090080000	PLUG 3/8	47	SAC7110300000	PRESSURE GAUGE
21	SAC7130160000	OUTLET TAP	48	SAC7329010000	POWER CABLE
22	SAC7190090000	NON-RETURN VALVE	49	SAC7250360000	PRESSUE SWITCH
23	SAC7192090000	SAFETY VALVE			

NOTE: It is our policy to continually improve products and as such we reserve the right to alter data, specifications and component parts without prior notice.

IMPORTANT: No liability is accepted for incorrect use of product.

WARRANTY: Guarantee is 12 months from purchase date, proof of which will be required for any claim.

INFORMATION: For a copy of our latest catalogue and promotions call us on 01284 757525 and leave your full name and address, including postcode.



PUMP PARTS

Issue: 1
 Issue Date: 131210

ITEM	PART NO	DESCRIPTION	ITEM	PART NO	DESCRIPTION	ITEM	PART NO	DESCRIPTION
1	SAC9700001075	CRANKCASE	18	SAC9100270070	SEEGER RING	35	SAC7012090000	BOLT (M5x12)
2	SAC9700001076	CRANKCASE COVER	19	SAC9100270080	CYLINDER	36	SAC7011460000	SCREW
3	SAC9700000531	SCREW (M5x12)	20	SAC7012220000	SCREW	37	SAC9100280110	BREATHER PLUG
4	SAC9700001077	CRANKCASE BASE SEAL	21	SAC9100280070	OIL LEVEL SIGHT GLASS	38	SAC7030270000	WASHER
5	SAC9100270140	CRANKSHAFT	22	SAC9100270180	CRANKCASE SEAL	39	SAC9100270230	FLYWHEEL
6	SAC7060180000	BEARING 6203	23	SAC9100270190	CYLINDER GASKET	40	SAC7011100000	BOLT (M8x25)
7	SAC7060200000	BEARING 6204	24	SAC9100270090	VALVE PLATE	41	SAC7031010000	TOOTHED WASHER
8	SAC9100270150	OIL SEAL	25	SAC9100270200	VALVE PLATE GASKET	42	SAC9100270270	AFTERCOOLER
9	SAC9100270160	FRONT COVER	26	SAC9100280090	VALVE REED	43	SAC7030030000	WASHER
10	SAC9100270170	REAR COVER	27	SAC9100270210	HEAD GASKET	44	SAC9100270280	O-RING
11	SAC9100280010	O-RING	28	SAC9100270100	HEAD	45	SAC7080160000	ELBOW
12	SAC7011420000	SCREW (M6x16)	29	SAC7458340000	FILTER PLATE	46	SAC9700000693	PLUG 3/8"
13	SAC9100280020	KEY	30	SAC7210010000	FILTER ELEMENT	100	SAC9100270260	VALVE PLATE KIT
14	SAC9100270010	CON-ROD	31	SAC9100270240	INTAKE FILTER	101	SAC9700000078	GASKET KIT
15	SAC9100270020	PISTON PIN	32	SAC7012100000	SCREW (4.2x19)	102	SAC9700010170	PISTON GROUP
16	SAC9100270030	PISTON	33	SAC9700010108	HEAD BOLT			
17	SAC4080120000	PISTON RING SET	34	SAC9100270220	COVER			

NOTE: It is our policy to continually improve products and as such we reserve the right to alter data, specifications and component parts without prior notice.

IMPORTANT: No liability is accepted for incorrect use of product.

WARRANTY: Guarantee is 12 months from purchase date, proof of which will be required for any claim.

INFORMATION: For a copy of our latest catalogue and promotions call us on 01284 757525 and leave your full name and address, including postcode.